

**FEATURES**

- Fully integrated H.261 video de-multiplexer
- Inputs an H.261 bitstream. Outputs error corrected run length coded coefficients.
- Interfaces directly to the VP2615 H.261 decoder
- Extracts side information and status for transfer to a System Controller
- User definable system level options for proprietary applications
- Average input rates between 40 Kbit /sec and 2Mbit / sec. Maximum peak input rates of 4 Mbit / sec.
- 100 pin quad flatpack

**ASSOCIATED PRODUCTS**

- VP2611 H.261 Encoder
- VP2612 H.261 Video Multiplexer
- VP2615 H.261 Decoder
- VP520S CIF / QCIF Converter
- VP510 Colour Space Converter

**DESCRIPTION**

The VP2614 Video De-Multiplexer forms part of the Mitel Semiconductor chip set for video conferencing, video telephony, and multimedia applications. It extracts video parameters and run length coded DCT coefficients from an H.261 bitstream. Elements of the data which have been variable length coded according to the specification are decoded within the device. It produces tagged data, aligned to a macroblock timing structure, in the format needed by the VP2615 Decoder. Side information and status bits are separately made available for the system controller.

The VP2614 will accept data up to a peak rate of 4 Mbits per second, but with an average rate up to 2 Mbits per second. The bursty nature of the input, together with the fact that each coded picture does not use the same number of bits, requires the provision of a received data buffer. Since the VP2615 Decoder accepts macroblock data as it becomes available, it is not necessary to provide storage for a complete coded picture. Worst case analysis has shown that a buffer size of 256K bits is adequate in practice for bit rates up to 2Mb/sec.

The incoming sequence is coded with a strict syntax, and the VP2614 must identify and align with this sequence before correct decoding is possible. Storage for this alignment is contained within the external buffer. The device monitors that lock is always valid, and reports to the system controller. Error correction bits are ignored.

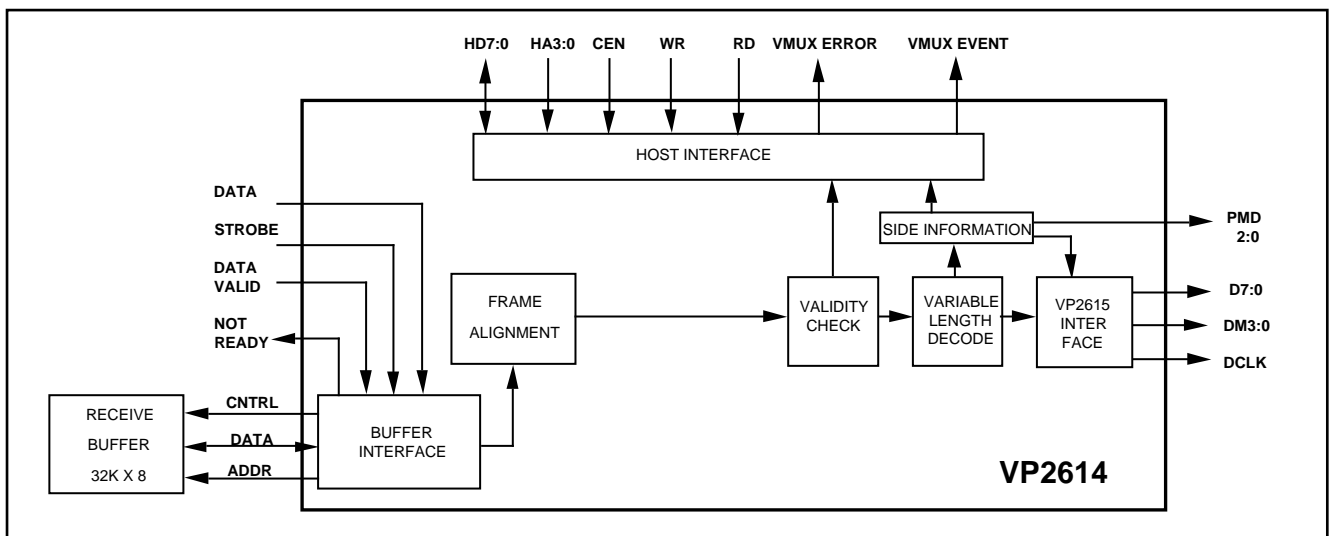


Fig 1 : Simplified Block Diagram

## VP2614

### PIN DESCRIPTION

SIG	TYPE	FUNCTION
LD	I	Line input data
LEN	I	When low, the line input data is valid.
LCLK	I	Line input strobe
LRED	O	When low, line data cannot be accepted.
DBUS7:0	O	Data and control bus to the VP2615.
DMODE3:0	O	These outputs identify the data on DBUS7:0.
PM2:0	O	Identifiers for the additional information on DBUS7:0. Not used by the VP2615.
DCLK	O	Continuous O/P strobe for the DBUS7:0 bus which is derived from SCLK.
SCLK	I	System clock. Must be 27 MHz for 30 Hz frame rates.
HD7:0	I/O	Bi-directional data bus.
HA3:0	I	Four system controller address bits.
WR	I	An active low write strobe from the system controller.
RD	I	An active low read strobe from the system controller.
GEN	I	An active low chip select from the system controller.
ERR	O	An active low output which Indicates framing and decoding errors.
EVT	O	An active low output which Indicates that new picture status data is available.
B7:0	I/O	Bi-directional data bus to the receive buffer.
A14:0	O	Address bus to the receive buffer.
WS	O	An active low write strobe for the receive buffer.
BCS	O	An active low select for the receive buffer.
BEN	O	An active low output enable for the buffer.
TCK	I	JTAG test clock
TMS	I	JTAG mode select
TDI	I	JTAG I/P data
TDO	O	JTAG O/P data
TRST	I	JTAG reset
TOE	I	When low all outputs are high impedance
RES	I	An active low power on reset

#### NOTE:

"Barred" active low signals do not appear with a bar in the main body of the text.

### OPERATION OF THE MAJOR BLOCKS

#### FRAME ALIGNMENT

The H.261 continuous bitstream is split into frames of 512 bits the first bit in each frame being part of an 8 bit frame alignment pattern. Only the sequence in the pattern is important and detection can start from any bit. To avoid false detection within the actual data, this pattern must be repeated at least three times before " frame lock " can be considered to have been achieved.

The detection of frame lock thus requires data from 24 consecutive 512 bit frames, and a section of the Received Data Buffer is reserved for this purpose. This external RAM is supported by a small internal buffer which allows eight consecutive bits ( obtained from reading a byte ) to be simultaneously checked for alignment with the corresponding bits in seven other bytes spaced apart by complete frames. The search for alignment over 512 bits takes less than 250 microseconds with a 27 MHz clock, this being less than the time taken to receive 512 bits at the maximum rate of 2Mb/second. Thus the buffer area for frame lock does not overflow.

Once frame lock has been achieved it is continually monitored using the appropriate bit in each frame. If a mismatch occurs then the next four frame alignment bits will be checked for errors. If any one of these four bits is also in error then loss of frame alignment is declared by setting a Status Register Bit, and a search for a new alignment position will commence. If none are in error then a random bit error is assumed and no further action is taken.

The check done on loss of alignment is a compromise between falsely believing that alignment has been lost and not detecting that frame alignment has been lost. The probability of two random bit errors in the five frames used in the check is dependent on the bit rate and also the error rate. With a high error rate of 1:100000, and a bit rate of 2Mb/sec, false detection is possible once per week. The probability of detecting a change in the frame alignment ( caused by switching in a new bitstream ) is 46.9% in the first five frames, but this rises to 97.4% after 12 frames have been processed.

Control Bits allow H261 framing to be either identified or ignored. In the latter case Frame Lock will always be indicated and data is still buffered and processed. The datastream is then expected to contain pure data and a search will be made to find picture start codes. When framing is enabled the 18 parity bits are extracted from the data, but single bits in error can still go un-detected in some circumstances.

## VIDEO LOCK

Once the VP2614 has locked to the H261 frames it will begin searching for the 20 bit unique Picture Start Code. Once this has been identified the "Video Lock" status bit will be set, and the bitstream will be translated on a code by code basis. Video lock will be lost and translation process interrupted under the following conditions:

- 1) A Picture Start Code or Group of Blocks ( GOB ) Start Code is not present when expected.
- 2) The codeword is not valid for its context, causing no match to be obtained. Each variable length code in the bitstream is analysed by the VP2614, and invalid patterns will force Video Lock to be lost.
- 3) Too many coefficients are transferred for the current macroblock because the End of Block code was missing.
- 4) GOB number is not in the correct range for the operating mode.
- 5) A GOB number not in sequence will cause lock to be lost and then regained.

Note that only the most frequently occurring coefficients are variable length coded, the others being represented by an escape sequence followed by a fixed length code. The Intra DC coefficient is also a fixed length code. These fixed length codes have bit patterns which are forbidden in the H.261 specification, but they could appear due to bit errors. These invalid codes are trapped by the VP2614, but do not cause Video Lock to be lost. Instead the run length coefficient is replaced by a default value of magnitude 1. When video lock has been lost the DMODE 3:0 outputs indicate a WAIT state. When lock is regained any missing macroblocks are replaced with Fixed Macroblocks.

A count is maintained of up 256 occurrences of faults 1 - 3, and a status bit is set when lock is lost ( the Video Lock Achieved bit is also cleared ). An output signal is also provided which can, if required, be used to interrupt the system controller. This indicates any of the above errors which cause Video Lock to be lost and also frame alignment errors; alternatively it can be used to just indicate framing errors.

When Video Lock has been achieved, the detection of a Picture or GOB start code when it is not expected will not cause lock to be lost. Instead the VP2614 will resynchronize to the new start code, and dummy macroblocks will be generated for the missing GOB's. These dummy blocks will be Fixed Macroblocks, and will cause the VP2615 Decoder to use data from the previously decoded picture. Note that Video

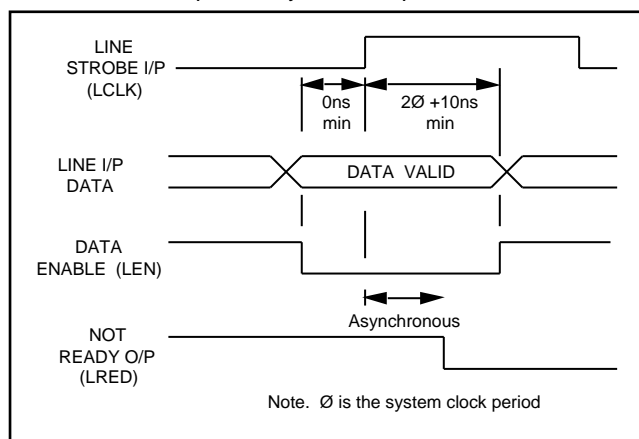


Fig 2 : Line Interface Timing

Lock is actually lost and re-gained under these conditions. The status bit will momentarily be set and then reset, and the Video Lock Lost Counter will be incremented.

Similarly any errors in the actual GOB number will not cause lock to be lost and then gained again. Since sequential GOB numbers are always produced by the encoder, then the Decoder generates its own GOB numbers and ignores those in the bitstream.

A Control Bit allows the system controller to take one of two actions when Video Lock is lost. Either the VP2614 can be forced to re-initialize to the next Picture Start Code, or it can abandon the decoding operation until the next GOB Start Code is detected. When lock has been lost, and a new start code has been found, the VP2614 assumes its number to be initially correct and starts its own sequence from that number. If, however, the next number in the bitstream is not in sequence then this new number is used to start a new sequence. This process continues until two sequential numbers are obtained, and then no further checks on the GOB numbers are made until Video Lock is again lost. The VP2614 will generate "Fixed Macroblocks " for the missing GOB numbers since Video Lock was lost, and will output these to the VP2615 decoder. This then uses data from the previous decoded picture for those macroblocks.

A Video Hold bit is provided in one of the System Control Registers which forces Video Lock to be lost immediately. No further data is passed to the VP2615 whilst this bit is set, but the Received Data Buffer is not allowed to fill unnecessarily. Incoming data will be flushed out and lost. When the hold bit is cleared a Picture Start Code must be detected to re-gain Video Lock. The VP2615 will then be provided with any missing GOB's as described above, before GOB's in the new picture are processed.

A Freeze Frame Control Bit is also provided. This has a similar action to the Video Hold Bit, except that it is only actioned when PTYPE has been decoded in the picture layer, and it also sets a Freeze Frame status bit. If Video Lock is lost before the start of a new frame then Freeze Frame will become active and a search will commence for a picture start code. Even though Freeze Frame causes Video Lock to be lost, the VP2614 will still search for picture start codes and will extract PTYPE and Temporal Reference values.

If clear, a Release Mode Control Register Bit will allow the freeze condition to be released when the Freeze Bit is cleared, but is only actioned when the next Picture Header is decoded. If the Release Mode Bit is set, then the freeze condition is only released when the PTYPE bit in the H.261 stream specifies that this is to occur. Even when automatic release has been selected the system controller can still monitor the length of time that the freeze has been in effect. It can then force a release after a time out period by setting the Release Mode Bit and clearing the Freeze Bit.

## DE-MUX CORE

Once Video Lock has been achieved, the core of the VP2615 will convert the H.261 bitstream into video parameters and run length coded coefficients. A state machine, which is a hardware manifestation of the H.261 coding structure, maintains the current position in the bitstream. When necessary variable length de-coding is performed, and side information such as temporal reference and Picture Type Information is stored in registers.

# VP2614

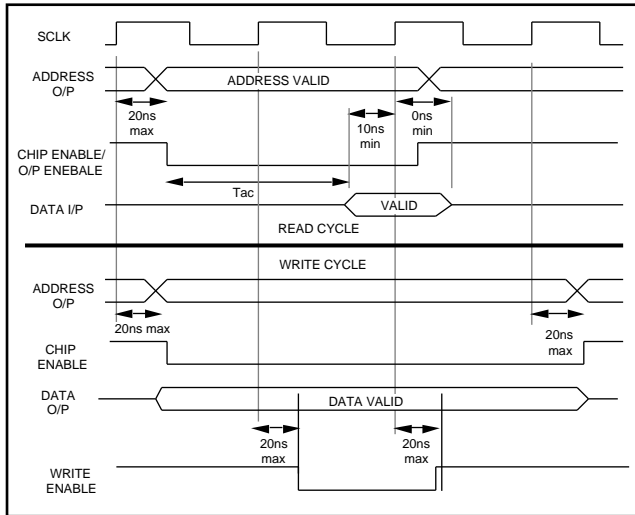


Fig 3 : External Buffer Timing

Not all this side information is used by the VP2615 Decoder, but is still made available on the data output bus DBUS7:0. This is described in the section on Additional Information. In addition the side information can be examined by the system controller.

Requirements for the complete decoder system are such that it is desirable for the VP2614 /15 pair to free run, and to ignore the Temporal References embedded in the video bitstream. The pair then always process the bitstream, whenever code bits are available, using the processing rate needed for the full 30 Hz frame rate. Operating in this manner allows the de-mux core to be closely coupled to the VP2615 Interface circuitry, and no additional buffering is necessary. The demultiplexing process is then locked to the macroblock timing structure needed by the VP2615.

## LINE INTERFACE

Bitstream inputs to the device are controlled by an asynchronous line input strobe, which when data is valid is enabled by a Data Valid signal. Detailed timing information is given in Figure 2.

Maximum input frequency is 4 MHz and the rising edge of the strobe is used to internally latch the data. The VP2614 generates a Ready signal which goes invalid when data cannot be accepted. This, for example, occurs during system reset or if the Received Data Buffer overflows.

## EXTERNAL BUFFER REQUIREMENTS

The external buffer must be a 32K x 8 bit static RAM, and must comply with the timing requirements given in Figure 3. Under normal operating conditions the buffer will not overflow, however it is conceivable that under some unforeseen condition the buffer may fill and then overflow. For this reason a Buffer Full Flag is provided in one of the Status Registers. This is asserted when the buffer is 90% full, and is not itself an error condition. If the buffer continues to fill and eventually overflows, then the Ready Signal to the line interface goes invalid. The effect of overflow is to also clear the buffer and the Buffer Empty Flag will be raised. There is no status bit to indicate overflow, but an extended period of Buffer Full followed by Buffer Empty can be used to infer the condition.

DMODE3:0	FUNCTION
0000	GOB Number
0001	MB Number
0010	Control Decisions
0011	Quant Value
0100	Horizontal MV
0101	Vertical MV
0110	Coded Blk Pattern
0111	Sub-Block No
1000	Zero Run Count
1001	RLC Coefficient
1010	Not used
1011	Not used
1100	Not used
1101	Not used
1110	Not used
1111	Wait State

Table 1. Output Codes

## VP2615 INTERFACE

The VP2614 provides a glueless interface to the VP2615 Decoder. Run length coded coefficients and control information are transmitted over the DBUS7:0 bus, and are identified by the code on the DMODE3:0 bus given in Table 1. The VP2614 produces a continuous DCLK which is used to strobe data into the VP2615. This is derived by dividing the system clock by two, and when no data is actually available the DMODE3:0 bus will indicate a wait state. Timing is shown in Figure 4.

The VP2615 expects a macroblock and its control information to be transferred over a minimum period, nominally equivalent to 2048 system clock cycles but with allowance for the asynchronous DCLK. Wait states are thus inserted as necessary by the VP2614 in order to enforce this macroblock period. Under normal circumstances the VP2614 will not take longer than 2048 clock periods to produce a macroblock, but some 10% extra time is available for each macroblock before the 30 Hz frame rate becomes impossible to maintain.

The start of a macroblock transfer is identified by the presence of the Control Decisions Byte ( DMODE3:0 = 0010). Each macroblock slot must at least consist of this Control Decisions Byte, followed by the GOB number and then the Macroblock number. No further bytes are mandatory.

When high, Bit 0 in the Control Decisions Byte indicates a Fixed Macroblock, and a high on Bit 1 indicates Inter Mode coding. A high on Bit 2 indicates that the macroblock was filtered, and a high on Bit 3 indicates that Motion Compensa-

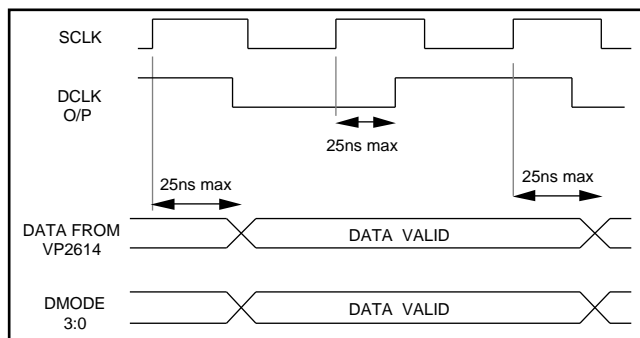


Fig 4 : Output Timing

tion was used. When Bit 7 is high this indicates that CIF resolution is in use, but the VP2615 does not use this information. Instead the host controller must supply this information.

The VP2615 is essentially a Macroblock Processor which produces decoded data for the position on the screen defined by the GOB and Macroblock number. Since the H.261 specification allows macroblocks to be skipped, then the VP2614 generates dummy Fixed Macroblocks if necessary ( see below ) which are still separated by 2048 clock cycles. Similarly after Video lock has been re-gained the VP2614 will generate Fixed Macroblocks for those missing in the sequence, even if this wraps around into the next picture.

These steps ensure that a complete picture, containing dummy data when necessary, is always supplied by the VP2614. The Fixed Macroblock bit in the Control Decisions Byte is set when dummy data is needed, and Intra Mode decoding is specified. This causes the VP2615 to output macroblock data from the previously decoded picture, which was already in the frame store.

**ADDITIONAL INFORMATION**

Picture Type, PSPARE and GSPARE information is not used by the VP2615 decoder. In future or proprietary uses of H.261 this information could become considerable and be useful to other devices in the system. This can conveniently be supplied by using the DBUS7:0 bus when the DMODE3:0 bus indicates that a wait state is present and there is no useful information for the VP2615. An additional control bus PM2:0 defines the additional information that is present, with the coding given below:

PM2:0	ADDITIONAL PARAMETER
000	Temporal Reference
001	GSPARE transfer
010	PSPARE transfer
011	PTYPE transfer
100	Quantizer step value
111	Data present is that defined by DMODE3:0

**SYSTEM CONTROLLER INTERFACE**

A conventional microprocessor interface is used consisting of a byte wide bi-directional data bus, four address bits, a chip enable and separate read and write strobes. Detailed timing is given in Figure 5.

In addition two outputs are available which can be used as interrupts if necessary. These can be disabled by control bits. When the Error Interrupt Source Bit is set, the ERROR signal indicates that an error has occurred in the FEC frame alignment module. The Frame Lock Lost Status Bit is also set. The output signal is cleared by reading the status register and will be set again when frame alignment is again achieved. If the host has forced a loss of alignment then ERROR does not go active when lock is lost, but it will still go active when lock is re-gained.

When the Error Interrupt Source Bit is cleared, then the ERR output also goes active when Video Lock is lost. Reading the Status Register will determine the actual cause of the ERR interrupt.

The EVT signal allows the controller to synchronize with picture related parameters extracted from the bitstream. It goes active when new picture status data is available, as does the Picture Ready bit in Status Register A. This bit and the output signal are cleared when any Status Register is read. The pipeline delay of two macroblock periods through the VP2615 decoder will give the controller time to react to changes in PTYPE affecting the final output of the picture in question. When PTYPE specifies a change between CIF and QCIF, the controller has an amount of time equivalent to that needed to decode the first GOB before it needs inform the VP2615 of the change in operation.

The addresses and functions of the various control and status registers are given below. Setting a Control Bit always performs the function specified, and a high in a Status Register indicates the state is true. All error counters saturate at their maximum values, and are prevented from changing whilst being read.

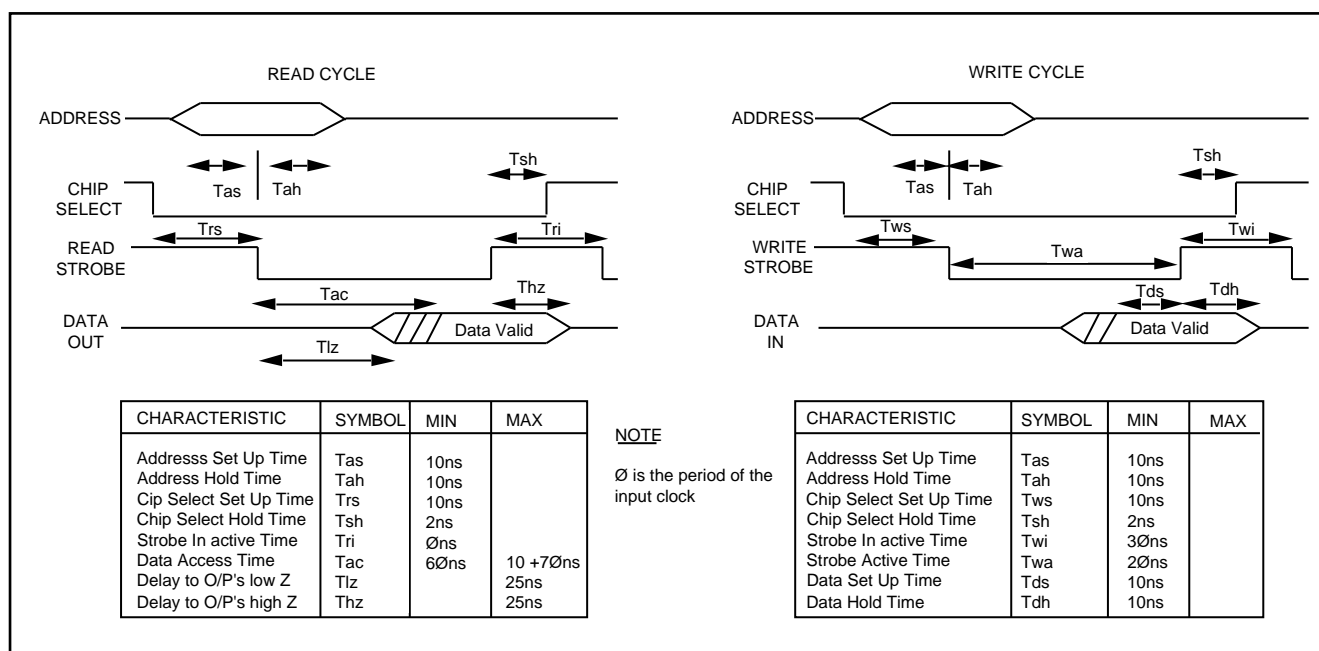


Fig 5 : Host Controller Timing

## VP2614

### SUPPLEMENTARY NOTE:

To avoid problems with register loading, the VP2614 requires two write operations with no read strobe in between. The absence of chip enable with the read strobe does not prevent this problem. Thus if I/Os are memory mapped it will be necessary to externally gate the read strobe with chip enable for the VP2614 and to do two writes for every load operation.

### STATUS REGISTER A ( ADDRESS 0 )

BIT	FUNCTION
0	GSPARE Byte Available ( FIFO not Empty )
1	Freeze Frame
2	Buffer Full
3	Buffer Empty
4	Picture Information Ready
5-7	Unassigned

### STATUS REGISTER B ( ADDRESS 1 )

BIT	FUNCTION
0	Frame Lock Lost
1	Frame Lock Achieved
2	Video Lock Lost
3	Video Lock Achieved
4 -7	Unassigned

### CONTROL REGISTER A ( ADDRESS 2 )

BIT	FUNCTION ( when the bit is set )
0	Freeze Frame released by bit stream
1	Force Freeze Frame
2	Error interrupt only from Frame Lock
3	Enable EVT Interrupt
4	Enable ERR Interrupt
5	Video Hold
6	Clear Buffer
7	System Re-start

### CONTROL REGISTER B ( ADDRESS 3 )

BIT	FUNCTION ( when the bit is set )
0	Re-lock to Picture Start Code
1-2	Unassigned
4	000 FEC Framing Off
5:3	101 FEC Framing On
6	Clear Video Lock Lost Counter
7	Clear other Counters apart from above

Note: Control Register B must be loaded with the required values before Register A is programmed.

### USER READABLE COUNTERS

ADDRESS	FUNCTION
4	FEC Frame Count
5	Filled Frames Count
9	Video Lock Lost Count

### PICTURE STATUS REGISTERS

10	Temporal Reference Register
11	Picture Information ( see below )
12	First PSPARE Byte
13	Second PSPARE Byte
14	Top of GSPARE Stack

### PICTURE INFORMATION REGISTER ( ADDRESS 11)

BIT	FUNCTION
7	PSPARE Byte 2 Valid (cleared by reading byte)
6	PSPARE Byte 1 Valid (cleared by reading byte)
5	Split screen
4	Document camera
3	Freeze frame
2	CIF/QCIF
1:0	Set to one

[Bit 0 is LSB]

A master - slave arrangement is used for the Picture Status Registers, and the slave is not updated for the duration of the host read operation plus 32 system clock cycles.

Reading any of the counter values ( address 4-9 ) or any Picture Status Register ( address 10-13 ) causes all values in the respective blocks to be frozen for 32 clocks, thus allowing a complete snapshot to be taken of the respective values.

Two bytes of PSPARE data are stored and further bytes will be lost. Note that the VP2612 Video Multiplexer presently only provides one byte of PSPARE information. A FIFO is provided to provide storage for 12 GSPARE bytes, and a status bit is provided to indicate that this FIFO is not empty, and that the byte at the top of the stack should be read.

### RESET OPERATION

In addition to the hardware reset there are several software reset options which are selective in their action. The hardware reset input will initialize all the internal circuit blocks, and will clear all status registers, error counters, and address pointers. The bits in Control Registers A and B are cleared except that the Video Hold Bit in Register A is set, and Bits 0,4, and 5 are set in Register B. The device will thus re-lock to a Picture Start Code, will correct 2 bit errors, and FEC Framing will be on. The circuit which interfaces to the VP2615 Decoder is reset to the end of picture condition ( Macroblock 33 in GOB 12 ).

The System Re-start bit ( Bit 7 in Control Register A ) will clear all status bits and will initialize the bitstream decoder, the forward error corrector, and the buffer alignment modules. It should be used if there has been an interruption in the bitstream, and does not affect the circuit producing GOB's and macroblocks for the VP2615 Decoder. Thus, after the re-start, Video Lock can be obtained on a GOB boundary, and Fixed macroblocks can be generated for missing macroblocks within the same picture.

The Clear Buffer bit ( Bit 6 in Control Register A ) will reset the read and write address pointers for the external buffer. A full software restart requires both Bit 7 and Bit 6 to be set.

Two bits are also provided in Control Register B for reset operations. One will clear the Video Lock Lost counter, the other clears the FEC frame counter, the Filled Frames counter, and the three error counters in the error detection circuit.

### JTAG Test Interface

The VP2614 includes a test interface consisting of a boundary scan loop of test registers placed between the pads and the core of the chip. The control of this loop is fully JTAG/IEEE 1149-1 1990 compatible. Please refer to this document for a full description of the standard.

The interface has five dedicated pins: TMS, TDI, TDO, TCK and TRST. The TRST pin is an independent reset for the interface controller and should be pulsed low, soon after power up; if the JTAG interface is not to be used it can be tied low permanently. The TDI pin is the input for shifting in serial instruction and test data; TDO the output for test data. The TCK pin is the independent clock for the test interface and registers, and TMS the mode select signal.

TDI and TMS are clocked in on the rising edge of TCK, and all output transitions on TDO happen on its falling edge.

Instructions are clocked into the 8 bit instruction register (no parity bit) and the following instructions are available.

Instruction Register ( MSB first )	Name
11111111	BYPASS
00000000	EXTEST (No inversion)
10XXXXXX	INTEST (Product test only)
01XXXXXX	SAMPLE/PRELOAD

The positions of the test registers in the boundary loop, and their corresponding functional names, are detailed in Table 3.

INTEST is non-standard and is used for production testing and also to invoke the overall output enable function (TOE) via the scan chain.

PIN	FUNC	PIN	FUNC	PIN	FUNC	PIN	FUNC	PIN	FUNC
1	N/C	21	GND	41	HD3	61	B1	81	A1
2	N/C	22	DCLK	42	HD4	62	B0	82	A0
3	N/C	23	LD	43	HD5	63	A14	83	BEN
4	TOE	24	PM0	44	HD6	64	A13	84	BCS
5	N/C	25	PM1	45	HD7	65	A12	85	GND
6	DMODE0	26	PM2	46	VDD	66	A11	86	VDD
7	DMODE1	27	N/C	47	GND	67	A10	87	WS
8	DMODE2	28	N/C	48	WR	68	A9	88	LRED
9	DMODE3	29	N/C	49	RD	69	A8	89	TDI
10	GND	30	N/C	50	CEN	70	A7	90	TMS
11	VDD	31	HA0	51	N/C	71	VDD	91	TRST
12	DBUS0	32	HA1	52	N/C	72	GND	92	TCK
13	DBUS1	33	HA2	53	B7	73	A6	93	TDO
14	DBUS2	34	HA3	54	B6	74	A5	94	VDD
15	DBUS3	35	SCLK	55	B5	75	A4	95	GND
16	DBUS4	36	GND	56	B4	76	A3	96	RES
17	DBUS5	37	VDD	57	B3	77	A2	97	LEN
18	DBUS6	38	HD0	58	B2	78	N/C	98	LCLK
19	DBUS7	39	HD1	59	GND	79	N/C	99	ERR
20	VDD	40	HD2	60	VDD	80	N/C	100	EVT

Table 2. Pinout

VP2614

SIGNAL	DIRECTION	JTAG Bit Number	SIGNAL	DIRECTION	JTAG Bit Number
TOE	IN	84	CEN	IN	41
testoeout	OUT	83	B0	IN	40
DMODE0	OUT	82	B1	IN	39
DMODE1	OUT	81	B2	IN	38
DMODE2	OUT	80	B3	IN	37
DMODE3	OUT	79	B4	IN	36
DBUS0	OUT	78	B5	IN	35
DBUS1	OUT	77	B6	IN	34
DBUS2	OUT	76	B7	IN	33
DBUS3	OUT	75	B0	OUT	32
DBUS4	OUT	74	B1	OUT	31
DBUS5	OUT	73	B2	OUT	30
DBUS6	OUT	72	B3	OUT	29
DBUS7	OUT	71	B4	OUT	28
DCLK	OUT	70	B5	OUT	27
LD	IN	69	B6	OUT	26
PM0	OUT	68	B7	OUT	25
PM1	OUT	67	nroeout	OUT	24
PM2	OUT	66	LRED	OUT	23
HA0	IN	65	WS	OUT	22
HA1	IN	64	BCS	OUT	21
HA2	IN	63	BEN	OUT	20
HA3	IN	62	A0	OUT	19
SCLK	IN	61	A1	OUT	18
HD0	IN	60	A2	OUT	17
HD1	IN	59	A3	OUT	16
HD2	IN	58	A4	OUT	15
HD3	IN	57	A5	OUT	14
HD4	IN	56	A6	OUT	13
HD5	IN	55	A7	OUT	12
HD6	IN	54	A8	OUT	11
HD7	IN	53	A9	OUT	10
HD0	OUT	52	A10	OUT	9
HD1	OUT	51	A11	OUT	8
HD2	OUT	50	A12	OUT	7
HD3	OUT	49	A13	OUT	6
HD4	OUT	48	A14	OUT	5
HD5	OUT	47	RES	IN	4
HD6	OUT	46	LEN	IN	3
HD7	OUT	45	LCLK	IN	2
oeout	OUT	44	ERR	OUT	1
WR	IN	43	EVT	OUT	0
RD	IN	42			

Table 3. Boundary scan allocations

Those signals labelled testoeout, oeout, and nroeout, are not connected to ASIC output pins, but are provided on the JTAG boundary scan to enhance the device testability.



**ABSOLUTE MAXIMUM RATINGS [See Notes]**

Supply voltage VDD	-0.5V to 7.0V
Input voltage $V_{IN}$	-0.5V to VDD + 0.5V
Output voltage $V_{OUT}$	-0.5V to VDD+ 0.5V
Clamp diode current per pin $I_K$ (see note 2)	18mA
Static discharge voltage (HMB)	500V
Storage temperature $T_S$	-65°C to 150°C
Ambient temperature with power applied $T_{AMB}$	0°C to 70°C
Junction temperature	100°C
Package power dissipation	1000mW

**NOTES ON MAXIMUM RATINGS**

1. Exceeding these ratings may cause permanent damage. Functional operation under these conditions is not implied.
2. Maximum dissipation or 1 second should not be exceeded, only one output to be tested at any one time.
3. Exposure to absolute maximum ratings for extended periods may affect device reliability.
4. Current is defined as negative into the device.

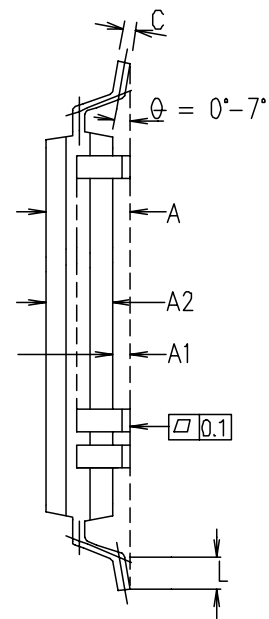
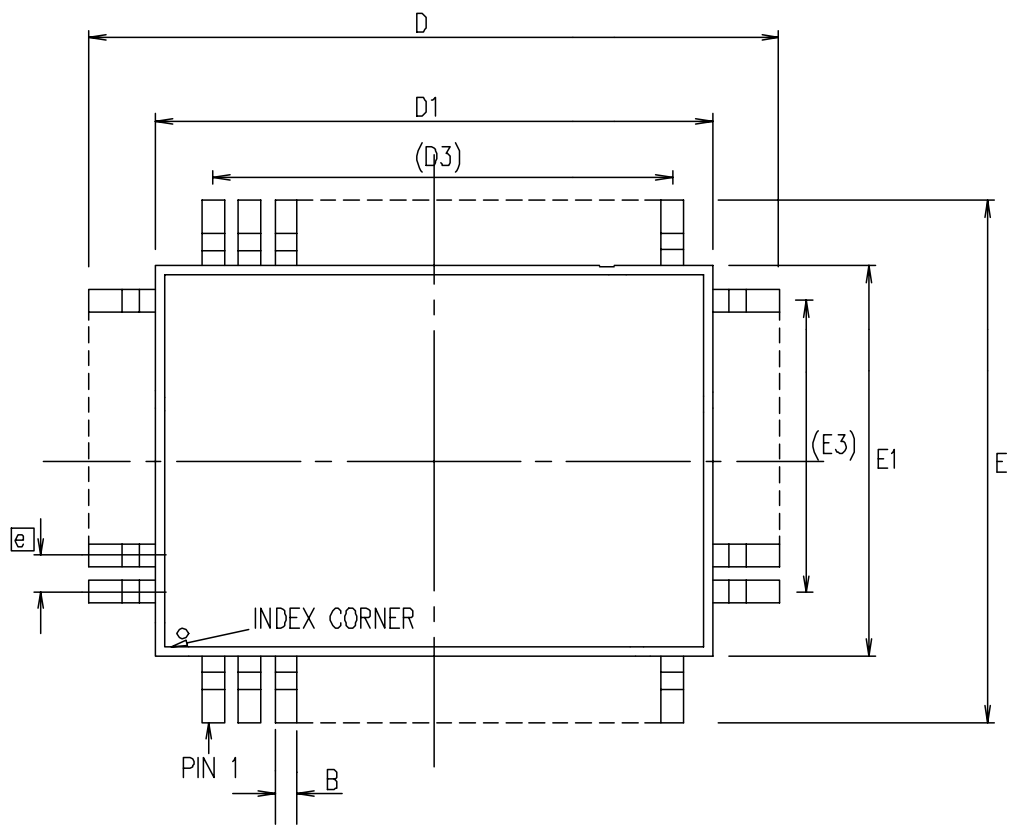
**STATIC ELECTRICAL CHARACTERISTICS****Operating Conditions (unless otherwise stated)**

$T_{amb} = 0\text{ C to }+70\text{ C}$      $V_{DD} = 5.0\text{v} \pm 5\%$

Characteristic	Symbol	Value			Units	Conditions
		Min.	Typ.	Max.		
Output high voltage	$V_{OH}$	2.4		-	V	$I_{OH} = 4\text{mA}$ $I_{OL} = -4\text{mA}$ 3.0V for SYSCLK and LCLK 0.6V for SYSCLK and LCLK $GND < V_{IN} < V_{DD}$  $GND < V_{OUT} < V_{DD}$
Output low voltage	$V_{OL}$	-		0.4	V	
Input high voltage	$V_{IH}$	2.0		-	V	
Input low voltage	$V_{IL}$	-		0.8	V	
Input leakage current	$I_{IN}$	-10		+10	$\mu\text{A}$	
Input capacitance	$C_{IN}$		10		pF	
Output leakage current	$I_{OZ}$	-50		+50	$\mu\text{A}$	
Output S/C current	$I_{SC}$	10		300	mA	

**ORDERING INFORMATION**

**VP2614 CG GPFR** (Commercial - plastic QFP package)



Symbol	Control Dimensions in millimetres		Altern. Dimensions in inches	
	MIN	MAX	MIN	MAX
A	---	3.25	---	0.128
A1	0.15	---	0.006	---
A2	---	2.84	---	0.112
D	23.4	24.15	0.921	0.951
D1	20.0		0.787	
D3	18.85	REF	0.742	REF
E	17.4	18.15	0.685	0.715
E1	14.0		0.551	
E3	12.60	REF	0.486	REF
L	0.50	1.10	0.020	0.043
e	0.65 BSC		0.026 BSC	
B	0.30	0.46	0.012	0.018
C	0.13	0.23	0.005	0.009
Pin features				
N	100			
ND	30			
NE	20			
NOTE	RECTANGULAR			

- NOTES:  
 1. PIN 1 IDENTIFICATION WILL BE EITHER A DOT OR A CUTOUT  
 2. This drawing supersedes 418/ED/51380/005 issue 9

© Mitel 1999 All rights reserved.

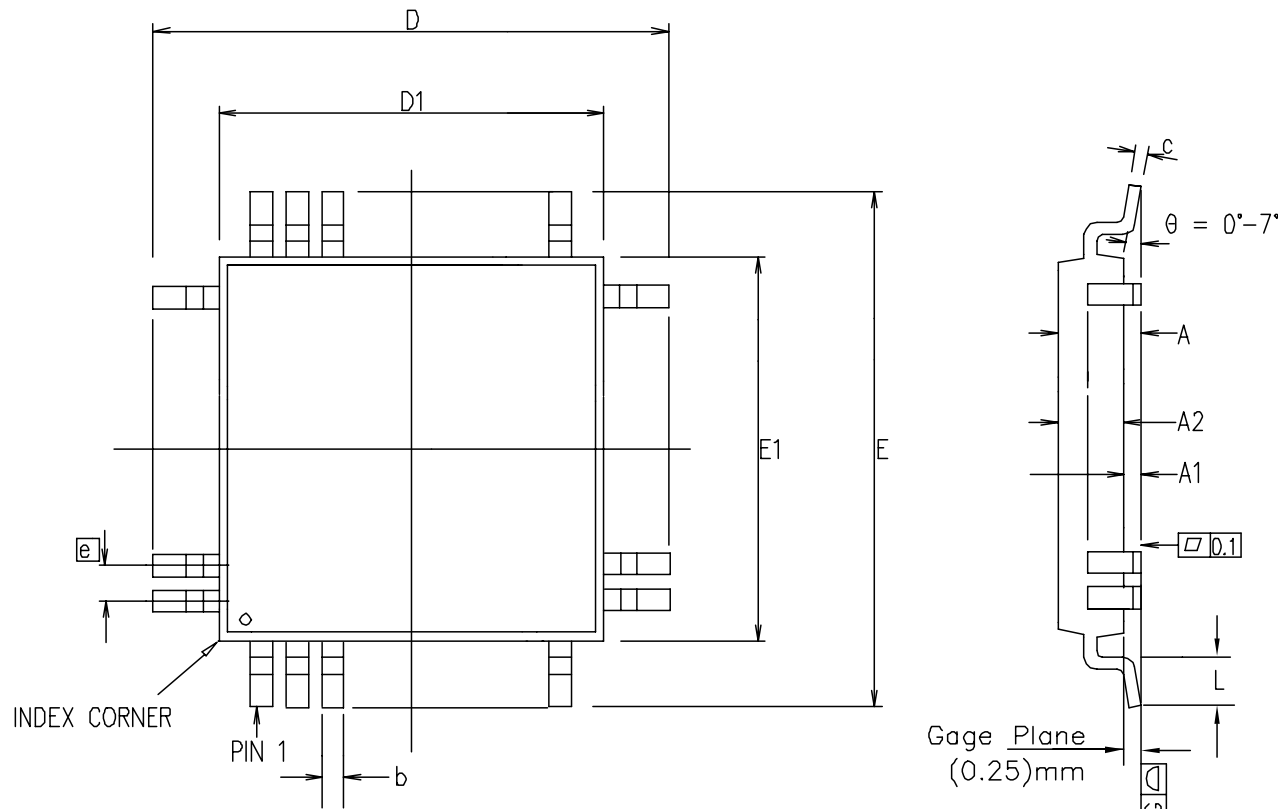
ISSUE	1				
ACN	207465				
DATE	10SEP99				
APPRD.					

MITEL SEMICONDUCTOR

ORIGINATING SITE: Swindon

Title: Outline Drawing for  
 100 Lead CQFP (GG)  
 (14 x 20)mm Body+3.9mm

Drawing Number  
 GPD00601



Symbol	Control Dimensions in millimetres		Altern. Dimensions in inches	
	MIN	MAX	MIN	MAX
A	—	3.40	—	0.134
A1	0.25	0.50	0.010	0.020
A2	2.50	2.90	0.098	0.114
D	23.20	BSC	0.913	BSC
D1	20.00	BSC	0.787	BSC
E	17.20	BSC	0.677	BSC
E1	14.00	BSC	0.551	BSC
L	0.73	1.03	0.029	0.041
e	0.65	BSC.	0.026	BSC.
b	0.22	0.40	0.009	0.016
c	0.11	0.23	0.004	0.009
Pin features				
N	100			
ND	30			
NE	20			
NOTE	RECTANGULAR			

Conforms to JEDEC MS-022 GC-1 Iss. B

Notes:

1. Pin 1 indicator may be a corner chamfer, dot or both.
2. Controlling dimensions are in millimeters.
3. The top package body size may be smaller than the bottom package body size by a max. of 0.15 mm.
4. Dimension D1 and E1 do not include mould protusion.
5. Dimension b does not include dambar protusion.
6. Coplanarity, measured at seating plane G, to be 0.010 mm max.

© Mitel 1999

ORIGINATING SITE: SWINDON

ISSUE	1	2	3		
ACN	202054	207072	207319		
DATE	20FEB97	5JUL99	24AUG99		
APPRD.					

MITEL SEMICONDUCTOR

Title: Package Outline Drawing for  
100L MQFP (GP)  
(14x20x2.8) mm, Body+3.2 mm

Drawing Number

GPD00305



<http://www.mitelsemi.com>

**World Headquarters - Canada**

Tel: +1 (613) 592 2122  
Fax: +1 (613) 592 6909

**North America**

Tel: +1 (770) 486 0194  
Fax: +1 (770) 631 8213

**Asia/Pacific**

Tel: +65 333 6193  
Fax: +65 333 6192

**Europe, Middle East,  
and Africa (EMEA)**

Tel: +44 (0) 1793 518528  
Fax: +44 (0) 1793 518581

Information relating to products and services furnished herein by Mitel Corporation or its subsidiaries (collectively "Mitel") is believed to be reliable. However, Mitel assumes no liability for errors that may appear in this publication, or for liability otherwise arising from the application or use of any such information, product or service or for any infringement of patents or other intellectual property rights owned by third parties which may result from such application or use. Neither the supply of such information or purchase of product or service conveys any license, either express or implied, under patents or other intellectual property rights owned by Mitel or licensed from third parties by Mitel, whatsoever. Purchasers of products are also hereby notified that the use of product in certain ways or in combination with Mitel, or non-Mitel furnished goods or services may infringe patents or other intellectual property rights owned by Mitel.

This publication is issued to provide information only and (unless agreed by Mitel in writing) may not be used, applied or reproduced for any purpose nor form part of any order or contract nor to be regarded as a representation relating to the products or services concerned. The products, their specifications, services and other information appearing in this publication are subject to change by Mitel without notice. No warranty or guarantee express or implied is made regarding the capability, performance or suitability of any product or service. Information concerning possible methods of use is provided as a guide only and does not constitute any guarantee that such methods of use will be satisfactory in a specific piece of equipment. It is the user's responsibility to fully determine the performance and suitability of any equipment using such information and to ensure that any publication or data used is up to date and has not been superseded. Manufacturing does not necessarily include testing of all functions or parameters. These products are not suitable for use in any medical products whose failure to perform may result in significant injury or death to the user. All products and materials are sold and services provided subject to Mitel's conditions of sale which are available on request.

M Mitel (design) and ST-BUS are registered trademarks of MITEL Corporation  
Mitel Semiconductor is an ISO 9001 Registered Company  
Copyright 1999 MITEL Corporation  
All Rights Reserved  
Printed in CANADA

TECHNICAL DOCUMENTATION - NOT FOR RESALE