

## Applications

- 3.3V to 2.5V translation
- 2.5V to 1.8V translation
- Hot-Swapping
- Logic replacement
- Memory bank, video, and audio switching

## General Description

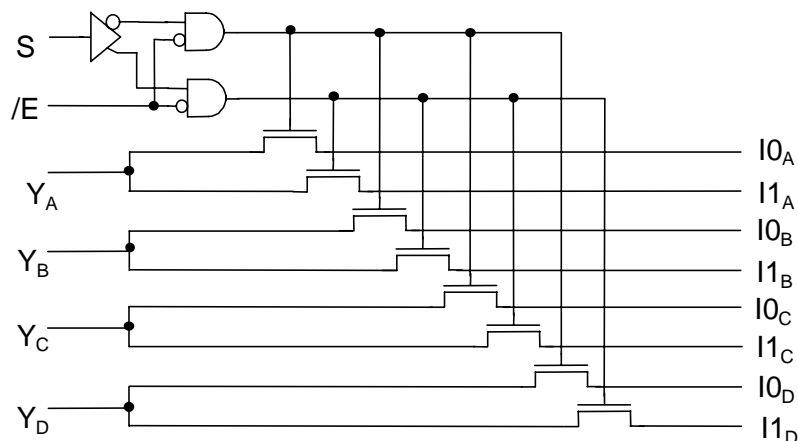
The VS3V257 is a high-speed LVTTTL-compatible Quad 2:1 multiplexer/demultiplexer. The VS3V257 contains four mux/demux channels, with a common path control (S) and active low enable (/E). The low ON resistance of the VS3V257 allows inputs to be connected to outputs, without adding propagation delay and without generating additional signal noise. The VS3V2257 has 25Ω resistors in series with the switches to reduce ground-bounce noise and signal reflection.

The VS3V257 and VS3V2257 are designed for 3.3V to 2.5V or 2.5V to 1.8V level translation, without any external components. These switches also offer very high impedance between switch terminals in the power-off or “disabled” state. This feature, combined with near-zero propagation delay in the “on” state, makes VS3V257 and VS3V2257 ideal interface elements for hot-swapping applications.

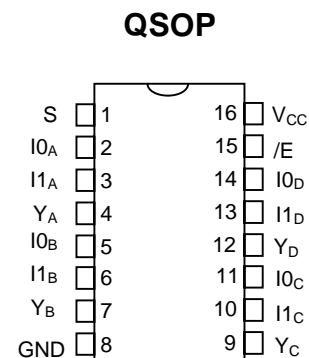
## Features

- Enhanced N-FET with no DC path to V<sub>CC</sub> or GND in normal operating signal voltage range.
- Low impedance switches connect inputs to outputs with near-zero propagation delay: 5Ω (VS3V257) and 25Ω (VS3V2257)
- Pin-compatible with 74LVC257 or equivalent logic devices
- Zero added ground bounce or signal noise
- Break-before-make feature
- Undershoot clamp diodes on all switch and control pins
- ESD rating >2000V (Human Body Model) or >200V (Machine Model)
- Latch-up current >100mA
- Available in 150-mil wide QSOP package

**Figure 1. Functional Block Diagram**



**Figure 2. Pin Configuration**



(All Pins Top View)

**Table 1. Pin Description**

Name	I/O	Description
IO <sub>X</sub> , I1 <sub>X</sub>	I/O	Data Input or Output
S	I	Select Input
/E	I	Enable Input
Y <sub>A</sub> - Y <sub>D</sub>	I/O	Data Output or Input

**Table 2. Function Table**

Inputs		Path	Function
/E	S		
H	X	Hi Impedance	Disable all switches
L	L	IO <sub>X</sub> <-> Y <sub>X</sub>	Select 0
L	H	I1 <sub>X</sub> <-> Y <sub>X</sub>	Select 1

**Table 3. Absolute Maximum Ratings**

Supply Voltage to Ground.....	-0.5V to +4.6V
DC Switch Voltage V <sub>S</sub> .....	-0.5V to +4.6V
DC Input Voltage V <sub>IN</sub> .....	-0.5V to +4.6V
AC Input Voltage (Pulse Width < 20ns).....	-3.0V
DC Output Sink Current per Switch Pin.....	128 mA
Maximum Power Dissipation.....	0.5 Watts
Storage Temperature.....	-65°C to +150°C

**Note** ABSOLUTE MAXIMUM CONTINUOUS RATINGS are those values beyond which damage to the device may occur. Exposure to these conditions or conditions beyond those indicated may adversely affect device reliability. Correct functional operation while operating in the absolute maximum rated conditions is not implied.

**Table 4. Capacitance**

T<sub>A</sub> = 25°C, f = 1 MHz, V<sub>IN</sub> = 0V, V<sub>OUT</sub> = 0V

Pins	Operation	QSOP		Unit
		Typ	Max	
Control Inputs		4	5	pF
VSwitch Channels (Switch OFF)	Demux	5	7	pF
	Mux	7	8	pF

**Note** Capacitance is guaranteed, but not production tested. Total capacitance of a path, when the switch is closed, is the sum of the switch terminal capacitances.

**Table 5. Recommended Operating Conditions**

Symbol	Parameter	Conditions	Min	Typ	Max	Units
V <sub>CC</sub>	Power supply voltage		2.3		3.6	V
V <sub>IL</sub>	Low level input voltage (Control inputs)	V <sub>CC</sub> = 2.3 to 2.7			0.7	V
		V <sub>CC</sub> = 2.7 to 3.6			0.8	
V <sub>IH</sub>	High level input voltage (Control inputs)	V <sub>CC</sub> = 2.3 to 2.7	1.7			V
		V <sub>CC</sub> = 2.7 to 3.6	2.0			
T <sub>A</sub>	Operating free-air temperature		-40		85	°C

**Note:** All unused control inputs of the device must be held at V<sub>CC</sub> or GND, to ensure proper device operation

**Table 6. Electrical Characteristics Over Recommended Operating Free-air Temperature Range**

Symbol	Parameter	Test Conditions		Min	Typ	Max	Units
V <sub>IK</sub>	Clamp Voltage	Control Inputs	V <sub>CC</sub> = Min, I <sub>IK</sub> = -18 mA			-1.5	V
		Switch I/O				-1.5	
V <sub>OH</sub>	Logic High Voltage	Switch I/O	V <sub>IN</sub> = V <sub>CC</sub> = 3.3V, I <sub>OUT</sub> = -5μA	2.1		2.6	V
			V <sub>IN</sub> = V <sub>CC</sub> = 2.5V, I <sub>OUT</sub> = -5μA	1.4		1.9	
I <sub>I</sub>	Input Leakage Current	Control Inputs	V <sub>CC</sub> = Max, V <sub>I</sub> = V <sub>CC</sub> or GND			1	μA
I <sub>OFF</sub>	Power OFF Leakage Current	Control Inputs	V <sub>CC</sub> = 0, V <sub>I</sub> or V <sub>O</sub> = V <sub>CC</sub> or GND			1	μA
		Switch I/O					
I <sub>oz</sub>	OFF State Leakage Current	Switch I/O	V <sub>CC</sub> = Max, V <sub>I/O</sub> = V <sub>CC</sub> , /E = V <sub>CC</sub>			1	μA
I <sub>ODL</sub>	Switch I/O Drive Current (Logic LOW)	V <sub>CC</sub> = 3.0V, V <sub>IN</sub> = 0, V <sub>OUT</sub> = 1.5V	VS3V257	50			mA
			VS3V2257	30			mA
I <sub>ODH</sub>	Switch I/O Drive Current (Logic HIGH)	V <sub>CC</sub> = 3.0V, V <sub>IN</sub> = V <sub>CC</sub> , V <sub>OUT</sub> = 1.5V	VS3V257	-20			mA
			VS3V2257	-10			mA
R <sub>ON</sub>	Switch ON Resistance <sup>(1)</sup>	V <sub>CC</sub> = 3.0V, V <sub>IN</sub> = 0, I <sub>OUT</sub> = 15mA	VS3V257		5 <sup>(2)</sup>	7	Ω
			VS3V2257	20	28 <sup>(2)</sup>	40	Ω
		V <sub>CC</sub> = 2.3V, V <sub>IN</sub> = 0, I <sub>OUT</sub> = 8mA	VS3V257		10 <sup>(3)</sup>	14	Ω
			VS3V2257	23	35 <sup>(3)</sup>	48	Ω

**Notes:**

- R<sub>ON</sub> is measured by forcing specified current into the 'output' node of the switch with the 'input' node of the switch at the specified voltage.
- Typical value is specified at V<sub>CC</sub> = 3.3V and T<sub>A</sub> = 25°C.
- Typical value is specified at V<sub>CC</sub> = 2.5V and T<sub>A</sub> = 25°C.

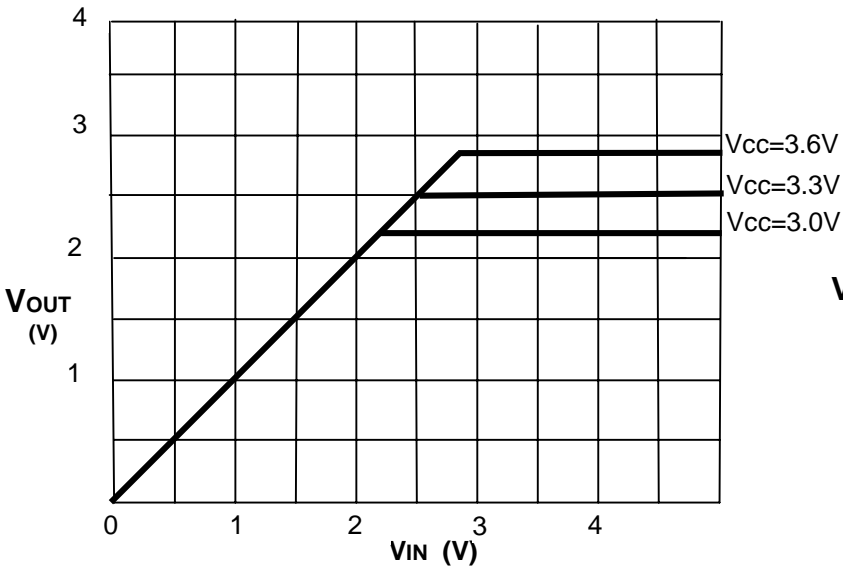
**Table 7. Power Supply Characteristics Over Recommended Operating Free-air Temperature Range**

Symbol	Parameter	Test Conditions <sup>(1)</sup>	Max	Units
I <sub>CCQ</sub>	Quiescent Power Supply Current	V <sub>CC</sub> = Max, S, /E = V <sub>CC</sub> or GND, f = 0	1	μA
ΔI <sub>CC</sub>	Power Supply Current per Input High <sup>(2)</sup> (Control Inputs)	V <sub>CC</sub> = 3.6V, V <sub>IN</sub> = 3.0V, f = 0	300	μA
		V <sub>CC</sub> = 2.7V, V <sub>IN</sub> = 2.1V, f = 0		
Q <sub>CCD</sub>	Dynamic Power Supply Current <sup>(3)</sup>	V <sub>CC</sub> = Max, Switch pins open, Control Inputs toggling at 50% duty cycle	0.15	mA/MHz

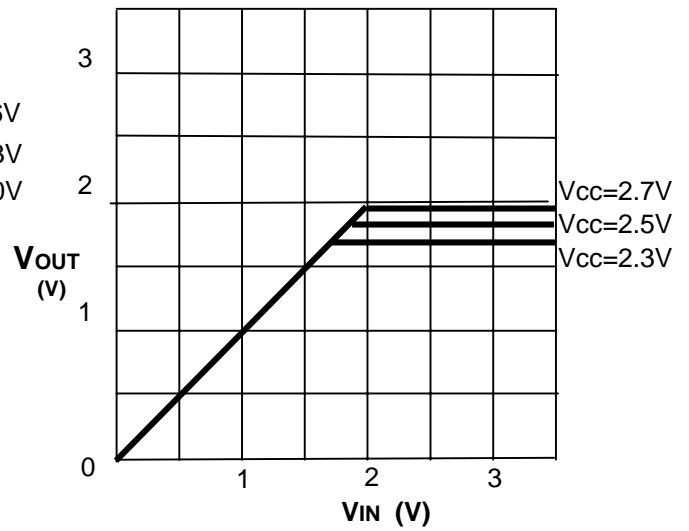
**Notes:**

- For conditions shown as Min or Max, use the appropriate values per *Recommended Operating Conditions*.
- Per control input. All other control inputs at GND. Switch I/O pins do not contribute to ΔI<sub>CC</sub>.
- This parameter represents the average DC current resulting from the switching of internal nodes of the device at a given frequency. The switch I/O pins make insignificant contribution to the dynamic power supply current of the device. This parameter is guaranteed, but not production tested.

**VOLTAGE TRANSLATION**

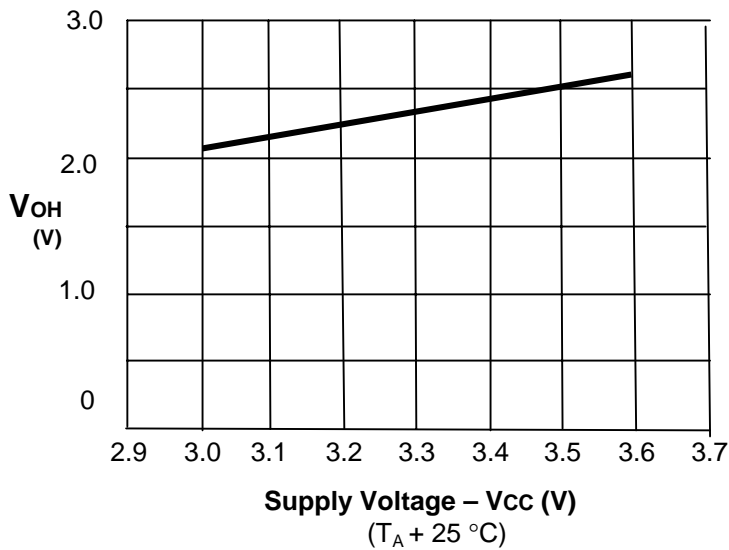


**Figure 3. 3.3V to 2.5V Translation**  
(T<sub>A</sub> + 25 °C)

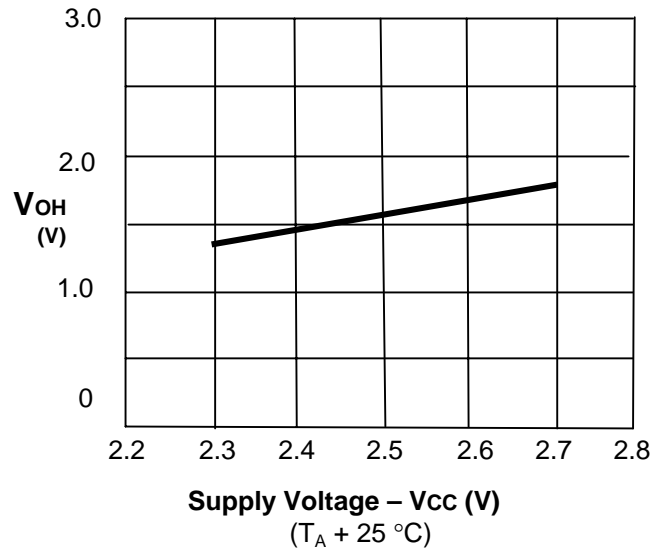


**Figure 4. 2.5V to 1.8V Translation**  
(T<sub>A</sub> + 25 °C)

**V<sub>OH</sub> CHARACTERISTICS**



**Figure 5. V<sub>OH</sub> CHARACTERISTICS**  
(V<sub>CC</sub> = 3.3V nominal)



**Figure 6. V<sub>OH</sub> CHARACTERISTICS**  
(V<sub>CC</sub> = 2.5V nominal)

**Table 8. Switching Characteristics Over Operating Range – 3.3V Supply Voltage**

$T_A = -40^{\circ}\text{C}$  to  $+85^{\circ}\text{C}$ ,  $V_{CC} = 3.3\text{V} \pm 0.3\text{V}$   
 $C_{LOAD} = 30\text{pF}$ ,  $R_{LOAD} = 1\text{k}\Omega$  unless otherwise stated.

Symbol	Description <sup>(1)</sup>	VS3V257		VS3V2257		Units
		Min <sup>(3)</sup>	Max	Min <sup>(3)</sup>	Max	
$t_{PLH}$ , $t_{PHL}$	Data Propagation Delay <sup>(2,3)</sup> through the switch		0.25		1.25	ns
$t_{PZH}$ , $t_{PZL}$	Switch Turn-on Delay, S to $Y_X$ , $I0_X$ , or $I1_X$	0.5	5.2	0.5	6.2	ns
$t_{PZH}$ , $t_{PZL}$	Switch Turn-on Delay, /E to $Y_X$ , $I0_X$ , or $I1_X$	0.5	4.8	0.5	5.8	ns
$t_{PLZ}$ , $t_{PHZ}$	Switch Turn-off Delay <sup>(3)</sup> , S or /E to $Y_X$ , $I0_X$ , or $I1_X$	0.5	5.0	0.5	5.0	ns

**Table 9. Switching Characteristics Over Operating Range – 2.5V Supply Voltage**

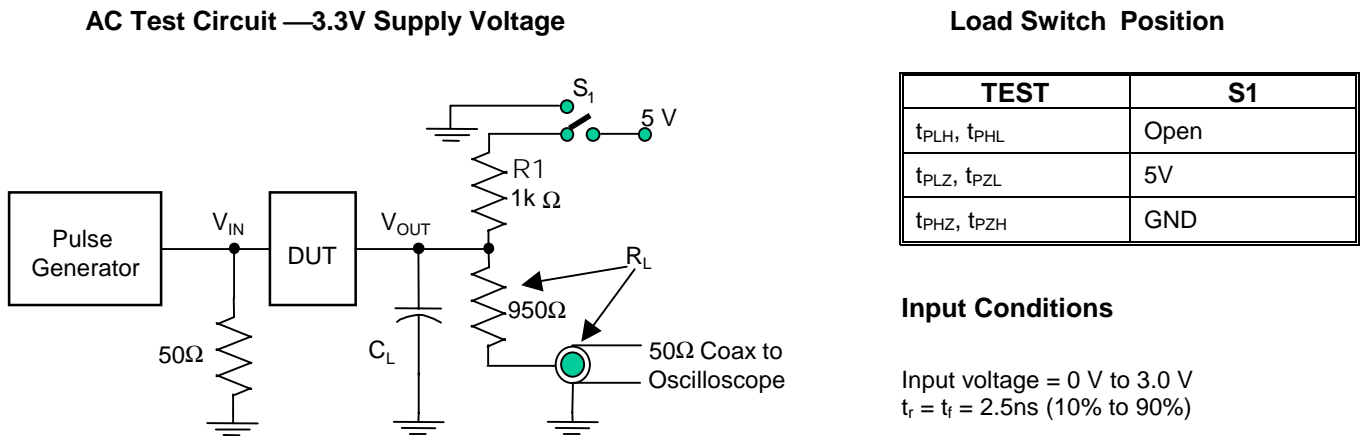
$T_A = -40^{\circ}\text{C}$  to  $+85^{\circ}\text{C}$ ,  $V_{CC} = 2.5\text{V} \pm 0.2\text{V}$   
 $C_{LOAD} = 30\text{pF}$ ,  $R_{LOAD} = 1\text{k}\Omega$  unless otherwise stated.

Symbol	Description <sup>(1)</sup>	VS3V257		VS3V2257		Units
		Min <sup>(3)</sup>	Max	Min <sup>(3)</sup>	Max	
$t_{PLH}$ , $t_{PHL}$	Data Propagation Delay <sup>(2,3)</sup> through the switch					ns
$t_{PZH}$ , $t_{PZL}$	Switch Turn-on Delay, S to $Y_X$ , $I0_X$ , or $I1_X$					ns
$t_{PZH}$ , $t_{PZL}$	Switch Turn-on Delay, /E to $Y_X$ , $I0_X$ , or $I1_X$					ns
$t_{PLZ}$ , $t_{PHZ}$	Switch Turn-off Delay <sup>(3)</sup> , S or /E to $Y_X$ , $I0_X$ , or $I1_X$					ns

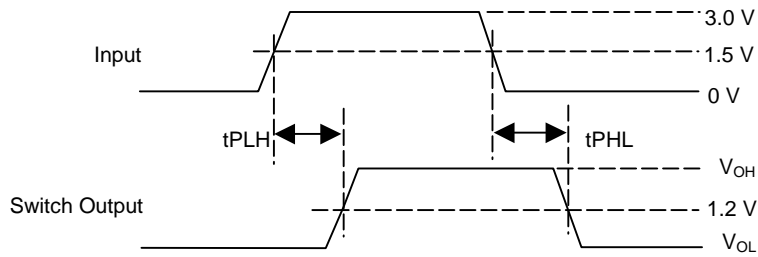
**Notes:**

1. See test circuits and waveforms.
2. This parameter is the calculated theoretical RC time constant of ON-state resistance of the switch and the specified load capacitance when driven by an ideal voltage source (zero source impedance). This time-constant is on the order of 0.25 ns for VS3V257 and 1.25 ns for VS3V2257. Since this time-constant is much smaller than rise/fall times of typical driving signals, it adds very little propagation delay to the system.
3. This parameter is guaranteed, but not production tested.

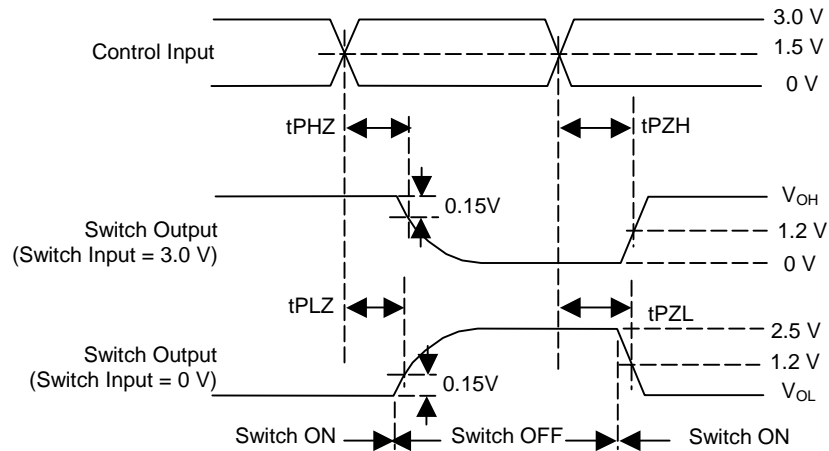
**Figure 7. AC Test Circuit and Switching Waveforms**



Switching Waveforms



Propagation Delay



Enable and Disable Times

Ordering Information

Part Number	Marking	Shipping/Packaging	No. of Pins	Package	Temperature
VS3V257Q	VS3V257Q	Tubes	16	QSOP	-40°C to +85°C
VS3V257QX	VS3V257Q	Tape & Reel	16	QSOP	-40°C to +85°C
VS3V2257Q	VS3V2257Q	Tubes	16	QSOP	-40°C to +85°C
VS3V2257QX	VS3V2257Q	Tape & Reel	16	QSOP	-40°C to +85°C