

Advance Product Information VSC7710

Photodetector/Transimpedance Amplifier
Family for Optical Communication

Features

- Integrated Photodetector/Transimpedance Amplifier Family Optimized for High Speed Optical Communications Applications
- Integrated AGC
- Fibre Channel and Gigabit Ethernet
- High Bandwidth
- Low Input Noise Equivalent Power
- Single 5V Supply

Part Number	Data Rate (Gb/s)	Bandwidth (MHz)	Input Noise ($\mu\text{W rms}$)	Optically Active Area ($\mu\text{m diameter}$)
VSC7710	1.25	1300	.22	75

General Description

The VSC7710 integrated PIN Photodetector/Transimpedance Amplifiers provides a highly integrated solution for converting 1300 nm light from a fiber optic communications channel into a differential output voltage. The benefits of Vitesse Semiconductor's Gallium Arsenide H-GaAs-III process are fully utilized to provide a very high bandwidth and low noise amplifier. The PIN detector is 75 μm in diameter. The detector bias is supplied internally eliminating the need for a separate bias connection. The sensitivity, duty cycle distortion and jitter meet or exceed all Fibre Channel and Gigabit Ethernet application requirements. Parts are available in flat-windowed or lensed packages.

The use of a photodetector and transimpedance amplifier hybrid, reduces the input capacitance, resulting in higher sensitivity and bandwidth and improved speed of response. These parts can easily be used in developing Fibre Channel and Gigabit Ethernet electro-optic Receivers for the 900-1600 nm spectral range which exhibit very high performance and ease of use.

VSC7710 Block Diagram

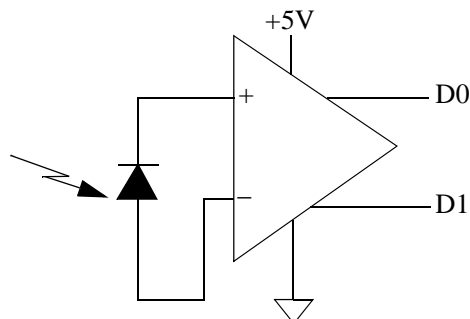


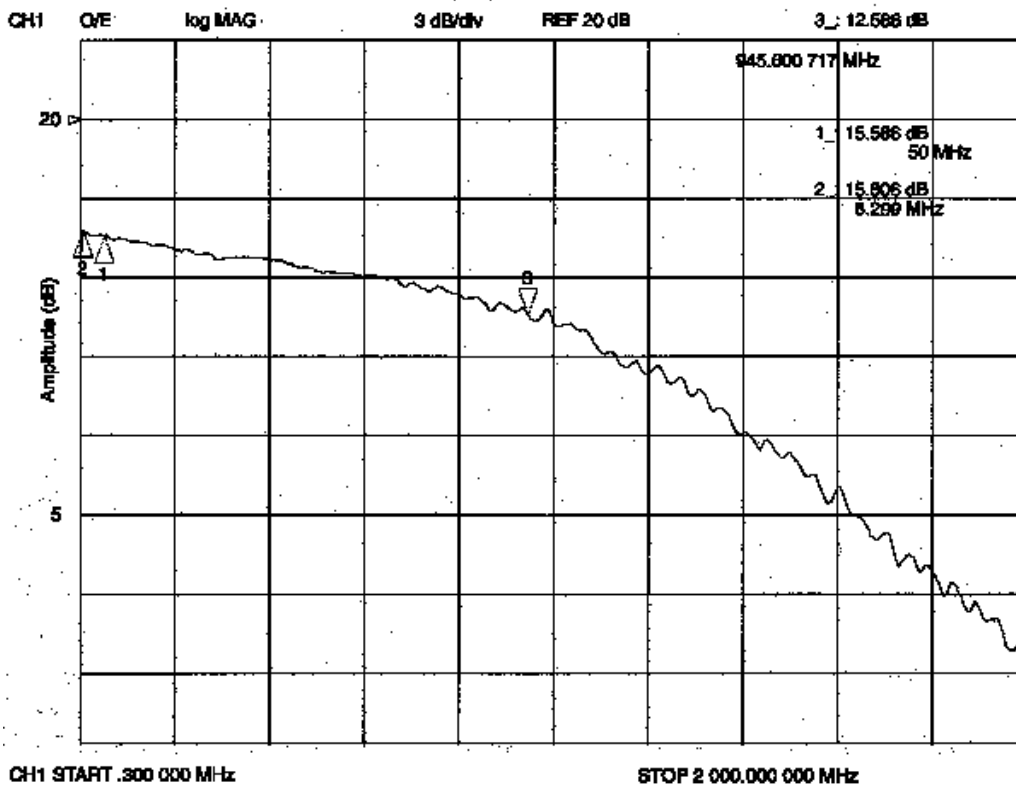
Table 1: Electro-Optic Specifications

<i>Symbol</i>	<i>Parameter</i>	<i>Min</i>	<i>Typ</i>	<i>Max</i>	<i>Units</i>	<i>Conditions</i>
V _{DD}	Supply Voltage	4.5		5.5	V	
λ	Wavelength	1270		1355	nm	
f _c	Low Frequency Cutoff			1.4	MHz	-3dB P = -22dBm, f _r = 50MHz
T _r T _f	Rise/Fall Time			300	ps	20% to 80% P = -3 dBm
S	Sensitivity	-28			dBm	BER 10 ⁻¹² B = 1063Mb/s
D _r	Dynamic Range	25			dB	
R _O	Single Ended Output Impedance	25		90	Ω	
V _d	Differential Output Voltage	0.25		1.2	V	P = -3 dBm, R = 100Ω
PSRR	Power Supply Rejection Ratio	35			dB	f = 0.3MHz - 40MHz Hybrid Differential
I _s	Supply Current			62	mA	P = -28 to -3 dBm
BW	Optical Modulation Bandwidth	700		1300	MHz	-3dB P = -22dBm, f _r = 50MHz
R _d	Differential Responsivity	2.5			mV/μW	P _A = 100Ω P = -22dBm f _r = 50MHz
V _n	Output Noise Voltage			1.2	mV _{RMS}	BW = 1500MHz, P = 0mW
NEP _O	Input Noise Equivalent Optical Power			0.22	μW RMS	BW = 1500MHz, P = 0mW
PDJ	Pattern Dependent Jitter			60	ps	P = -3dBm ±10% Voltage Window
DCD	Duty Cycle Distortion			5	%	P = -3dBm
yV	Bias Offset Voltage			200	mV	P = -3dBm

Advance Product Information VSC7710

Photodetector/Transimpedance Amplifier
Family for Optical Communication

Figure 1: Amplitude vs. Frequency



Frequency response of VSC7710WB (Upper 3db frequency is measured with respect to response at 50 MHz)

Table 2: Absolute Maximum Ratings

Symbol	Parameter	Limits
V _{DD}	Power Supply	6V
T _{stg}	Storage Temperature	-55°C to 125°C (case temperature under bias)
P _{inc}	Incident Optical Power	+3 dBm

Table 3: Recommended Operating Conditions

Symbol	Parameter	Limits
V _{DD}	Power Supply	4.5-5.5V (5.0V nominal)
T _{op}	Operating Temperature	0°C (ambient) to 70°C case

Table 4: Pin Table Specifications for TO-46(ball lens), TO-56 (flat window) Packages and Bare Die

<i>Symbol</i>	<i>Description</i>
D ⁺ OUT	Data output normal (with reference to incident light)
D ⁻ OUT	Data output complement (inverting) (with reference to incident light)
VDD	Power supply
GND	Ground (package case)

Note: Pin Diagram is identical for both TO-46 and TO-56 package styles.

Figure 2: Pin Diagram

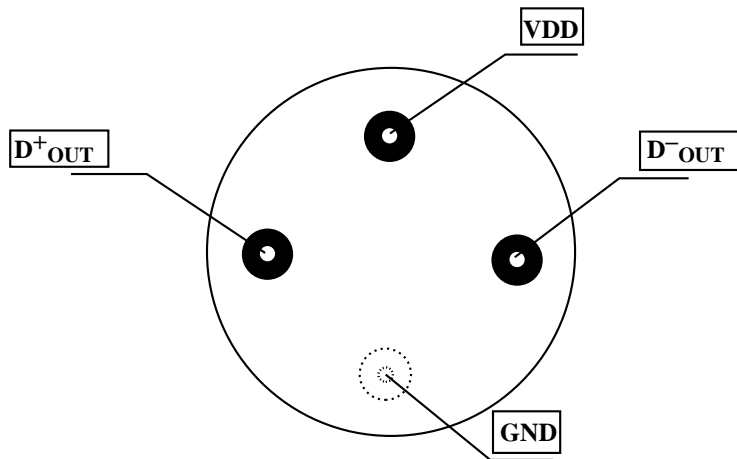
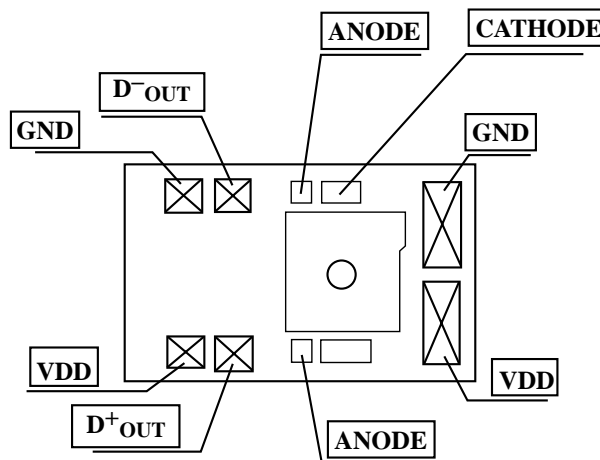


Figure 3: Schematic View of Bare Die Pad Assignments



Thermal Resistance Calculation

In order to relate the junction temperature to an equivalent *case* temperature, the following thermal characteristics of the package are provided (note that the thermal conductivity is identical for TO-46 and TO-56 package styles).

Table 5: Thermal Resistance Calculation for TO-56 and TO-46 Packages.

Chip Size	0.168cm x 0.104cm	
Chip Area A	0.015 cm ²	
Die height (T _{die})	0.066 cm	
Epoxy thickness (T _{epoxy})	0.0076 cm	
Header thickness (Theader) (ave. for TO-46 and TO-56)	0.115 cm	
Thermal Conductivities		
K GaAs	0.55W / cm °C	
K epoxy	0.0186W / cm °C	
K kovar	0.17W / cm °C	

$$\theta_{\text{GaAs}} = \frac{T_{\text{die}}}{K_{\text{GaAs}}A} = \frac{0.066}{0.55 \times 0.015} = 8 \text{ } ^\circ\text{C/W}$$

$$\theta_{\text{epoxy}} = \frac{T_{\text{epoxy}}}{K_{\text{epoxy}}A} = \frac{0.0076}{0.0186 \times 0.015} = 27.24 \text{ } ^\circ\text{C/W}$$

$$\theta_{\text{kovar}} = \frac{T_{\text{kovar}}}{K_{\text{kovar}}A} = \frac{0.12}{0.17 \times 0.015} = 47 \text{ } ^\circ\text{C/W}$$

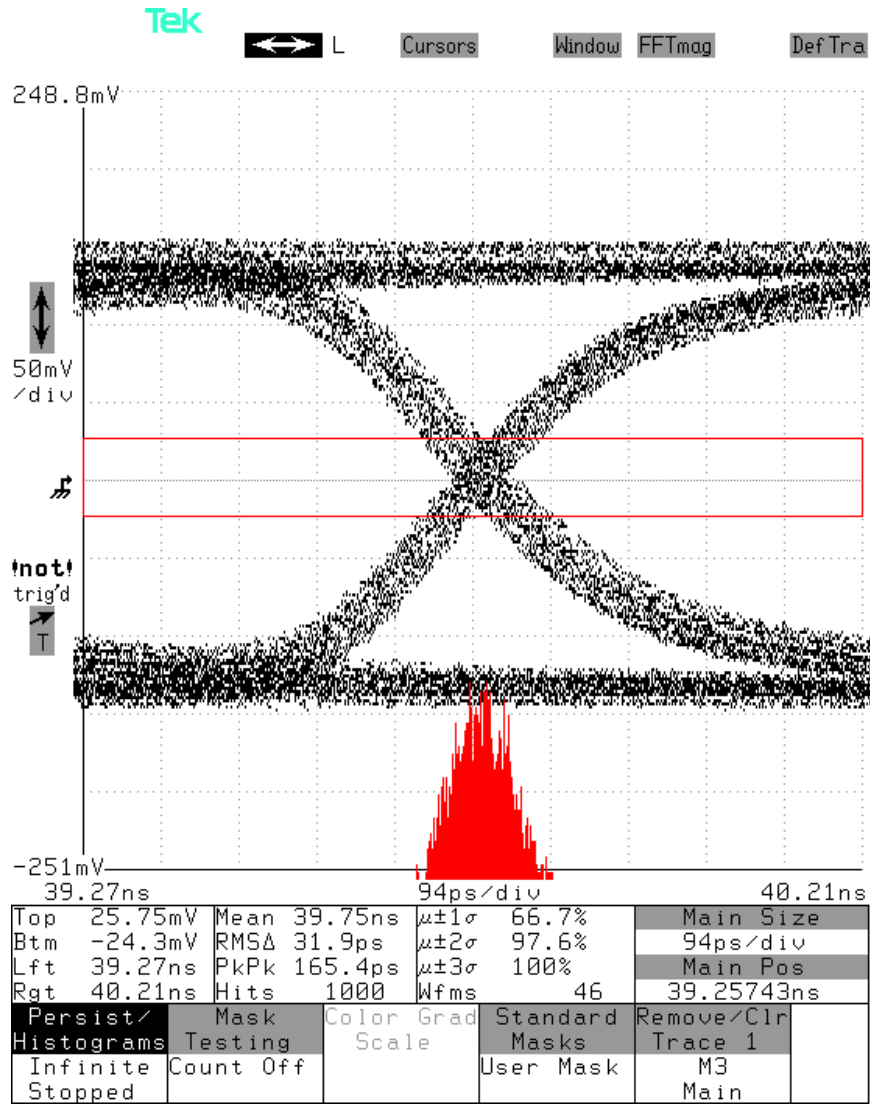
$$\theta_{\text{JC}} = \text{Thermal Resistance from Junction to Case} = (8 + 27.24 + 47) = 82.24 \text{ } ^\circ\text{C/W}$$

Example:

For VSC7710 at nominal supply current of 25mA and V_{DD} = 5V

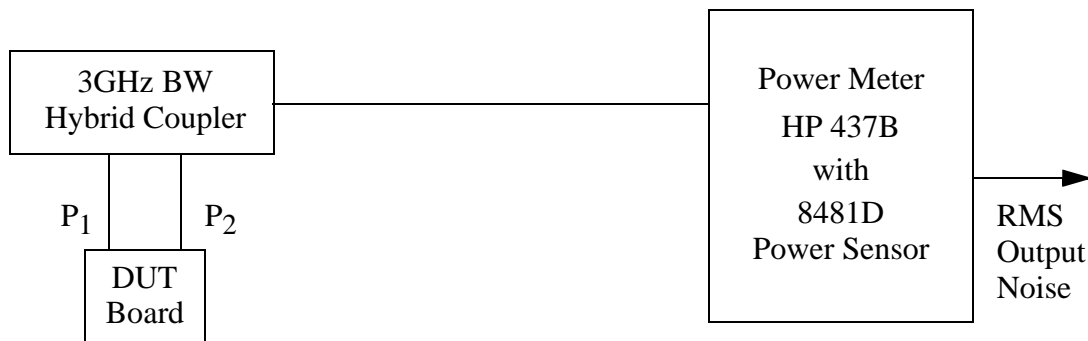
Temperature rise from junction to case = 0.025A x 5V x 82.24 °C/W = 10.28 °C

Figure 4: Eye Diagram



Notes on Measurement Conditions and Applications

Note 1: Noise Measurement Method



The noise voltage, (V_n), is calculated from the Output Noise Power, (P_n), into 50 ohm.

$$V_n = \sqrt{P_n \cdot 50}$$

The noise voltage, V_n , at the output is referred back to the noise power at the input through the responsivity R (with R in volts/watts)

$$NEP = \frac{V_n}{R}$$

The bit error rate can be expressed as:

$$BER = \frac{e^{(-Q^2/2)}}{\sqrt{2\pi}Q}$$

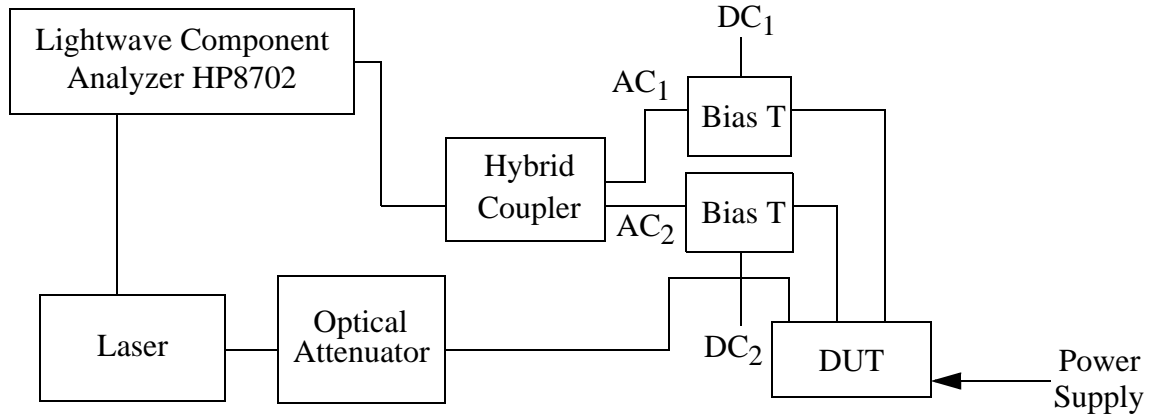
For a $BER = 1 \times 10^{-12}$ the parameter $Q = 7$

The sensitivity(s) at a bit error rate of 1×10^{-12} is calculated as follows:

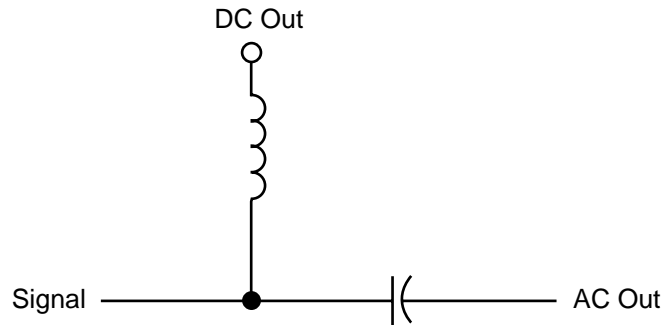
$$S = 10 \log_{10} \left(Q \frac{NEP}{1mW} \right),$$

where the NEP is in units of milliwatts and S is in dBm, respectively.

Note 2: Measurement Setup for Frequency Response



Note 3: Bias T Schematic



Advance Product Information VSC7710

Photodetector/Transimpedance Amplifier
Family for Optical Communication

Package Information

Hybrid Die

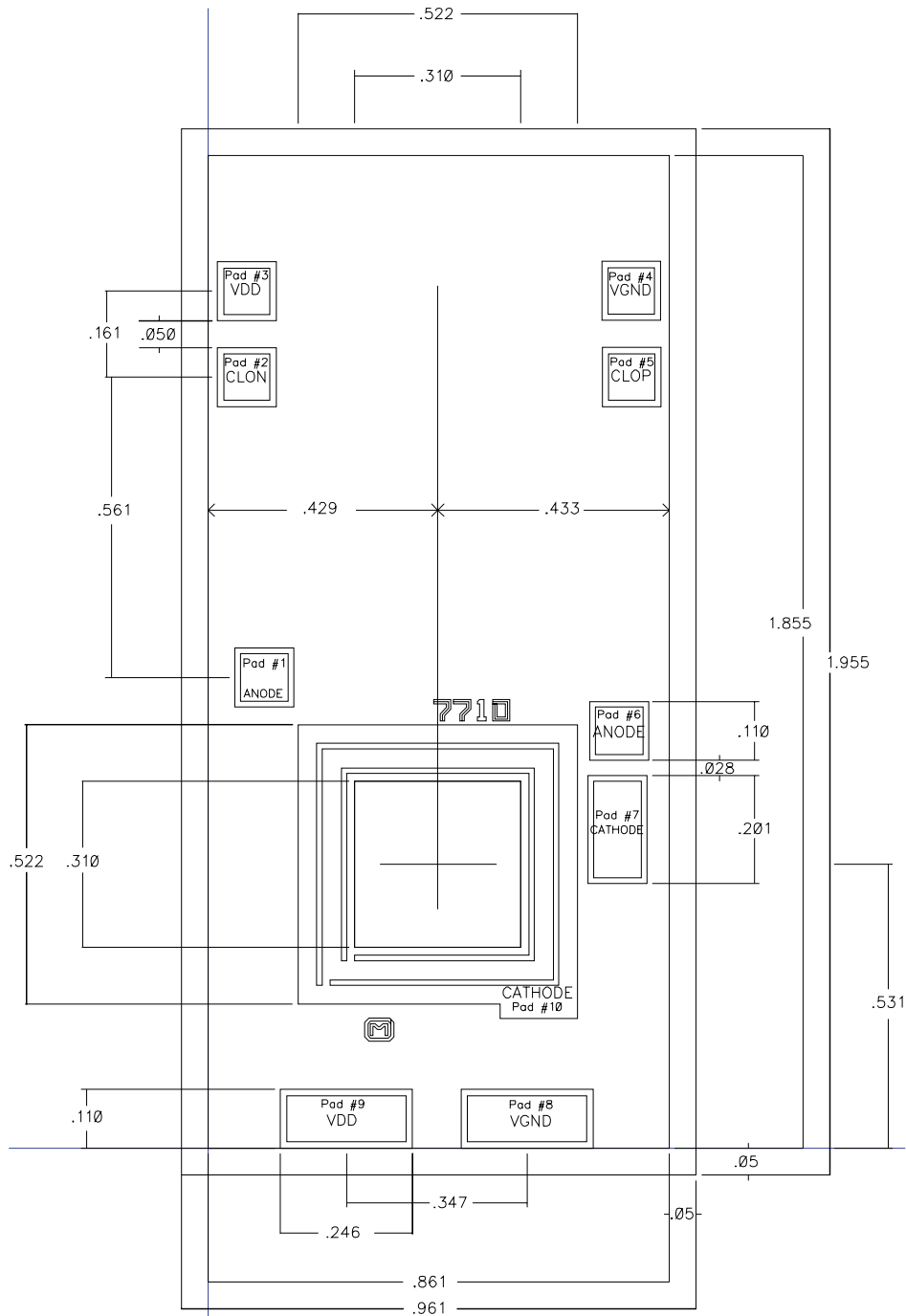


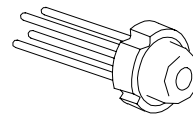
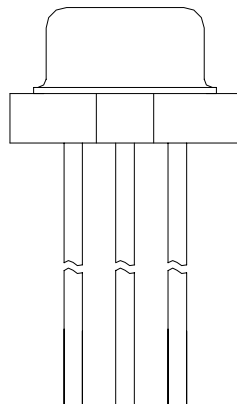
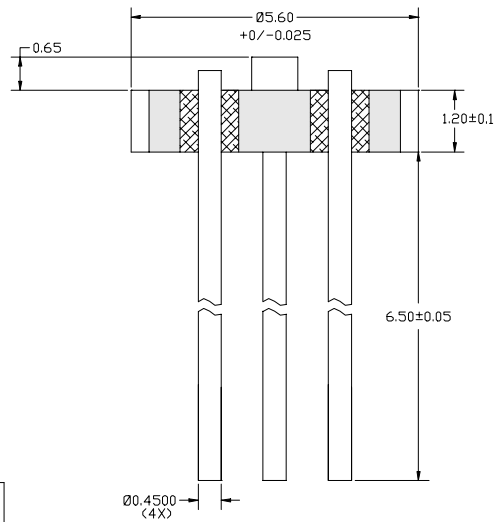
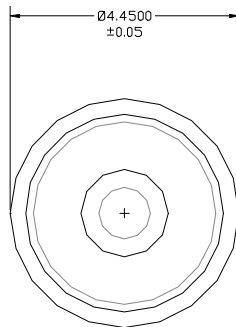
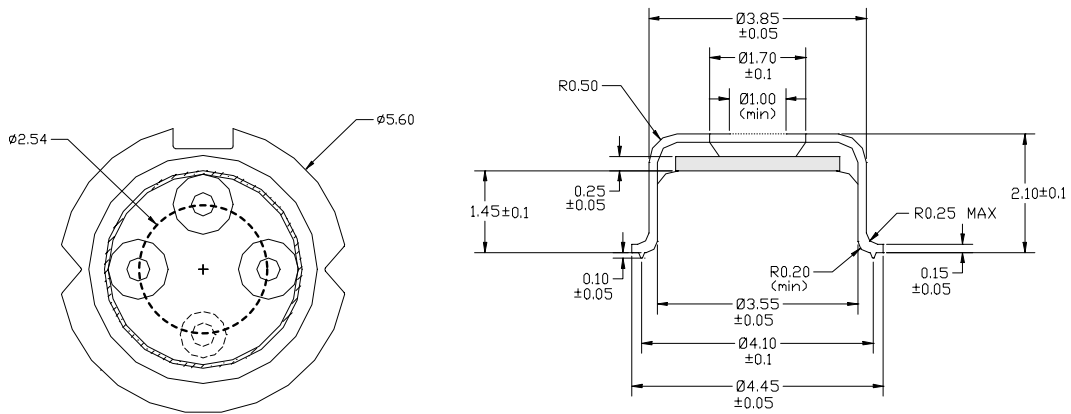
Table 6: Die Pad Descriptions

Pad Number	Pad Name	Pad Locations		Pad Size	Pass Opening	Pad Finish	Finish Thickness
		X	Y				
1	ANODE	104.5	880	110 x 110	89 x 89	Gold	1500 Å
2	CLON	71.7	1440.6	110 x 110	89 x 89	Gold	1500 Å
3	VDD	71.7	1601.2	110 x 110	89 x 89	Gold	1500 Å
4	VGND	790	1602.1	110 x 110	89 x 89	Gold	1500 Å
5	CLOP	790	1441.1	110 x 110	89 x 89	Gold	1500 Å
6	ANODE	765.9	781.2	110 x 110	89 x 89	Gold	1500 Å
7	CATHODE	764.3	595.8	110 x 201	89 x 180	Gold	1500 Å
8	VGND	595.4	55	246 x 110	223 x 86	Gold	1500 Å
9	VDD	258	55	246 x 110	223 x 86	Gold	1500 Å
10	CATHODE	428.5	530.5	522 x 522	310 x 310	Gold	1500 Å

Advance Product Information VSC7710

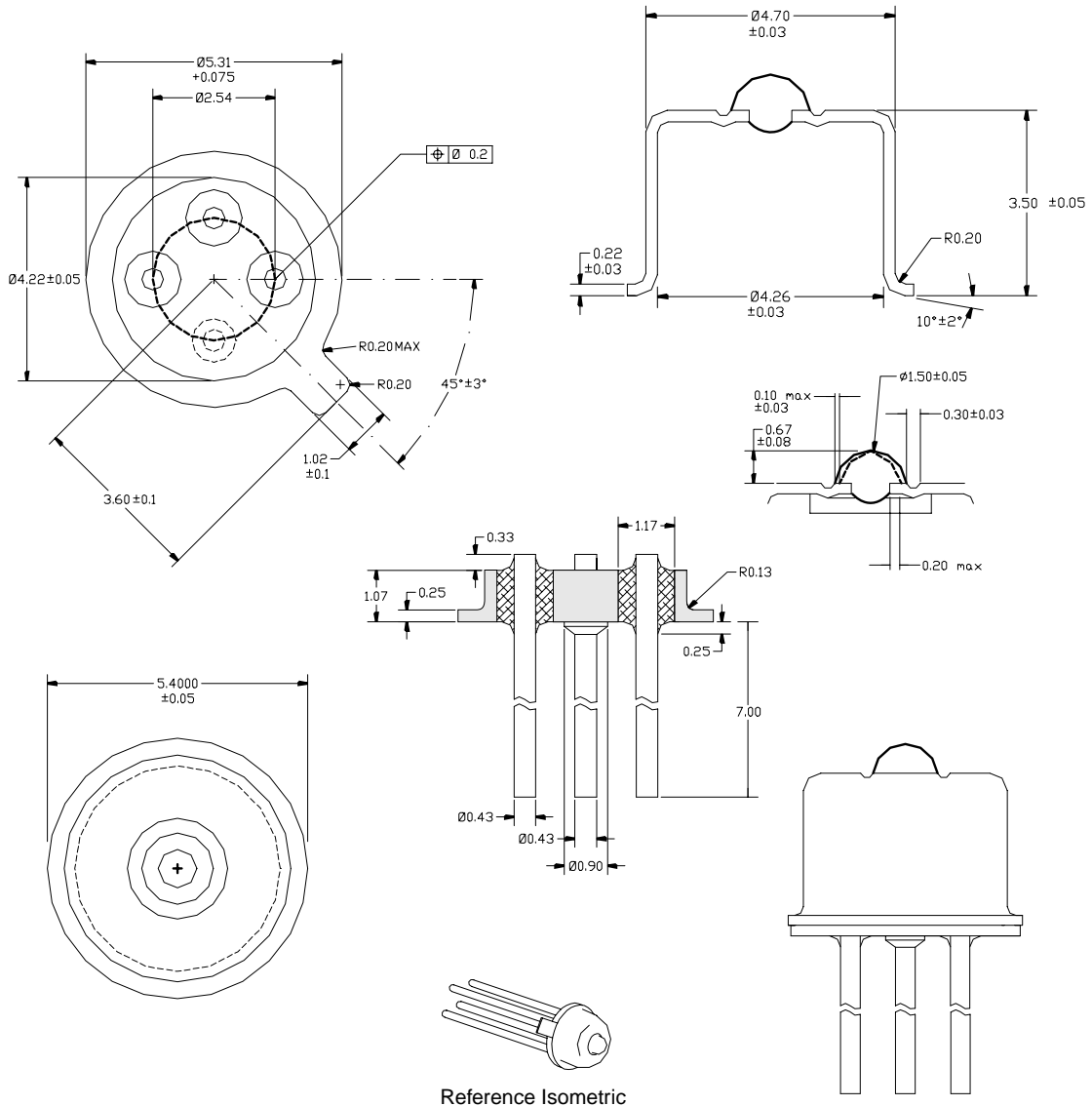
Photodetector/Transimpedance Amplifier
Family for Optical Communication

To-56 Flat Window



Reference Isometric

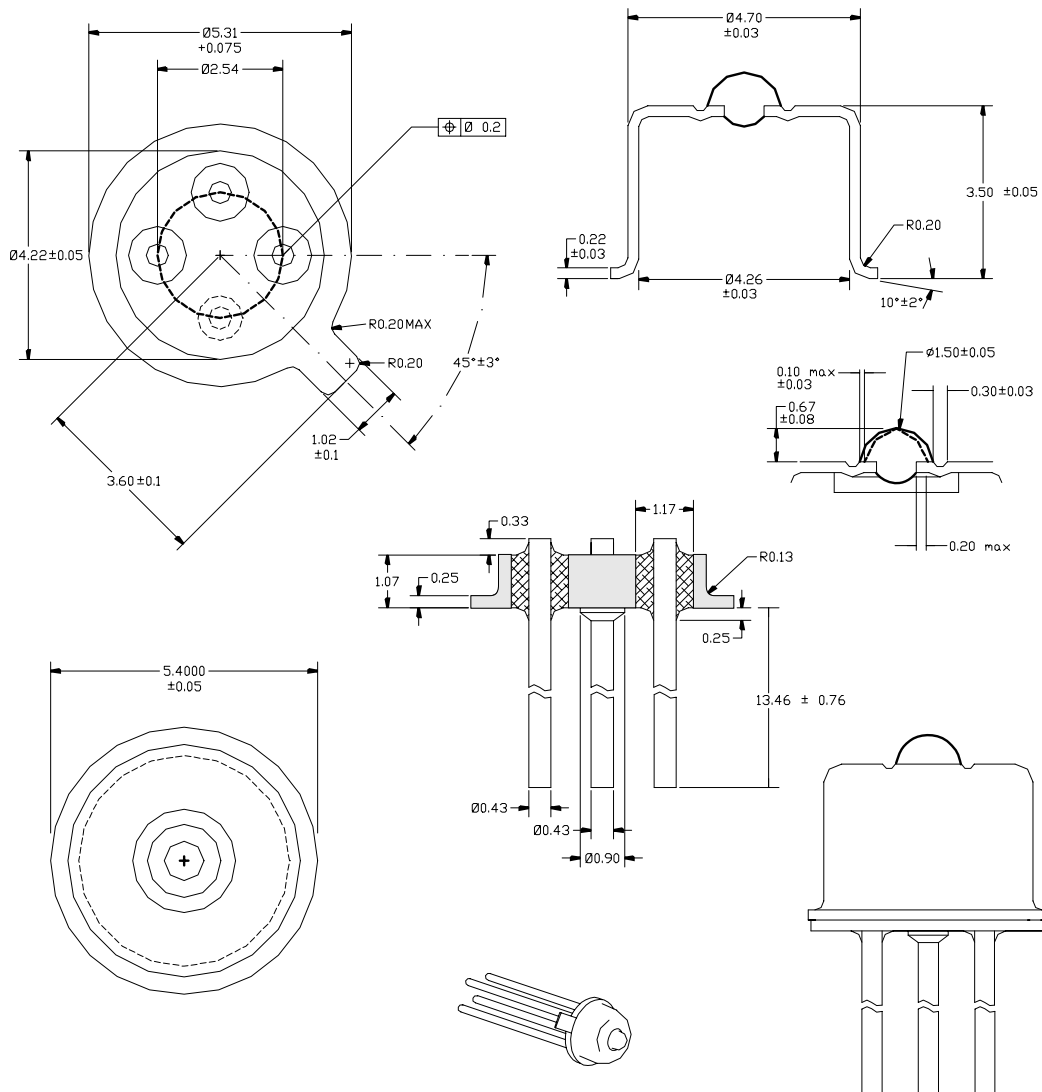
To-46 Ball Lens—7mm Lead Length



Advance Product Information VSC7710

Photodetector/Transimpedance Amplifier
Family for Optical Communication

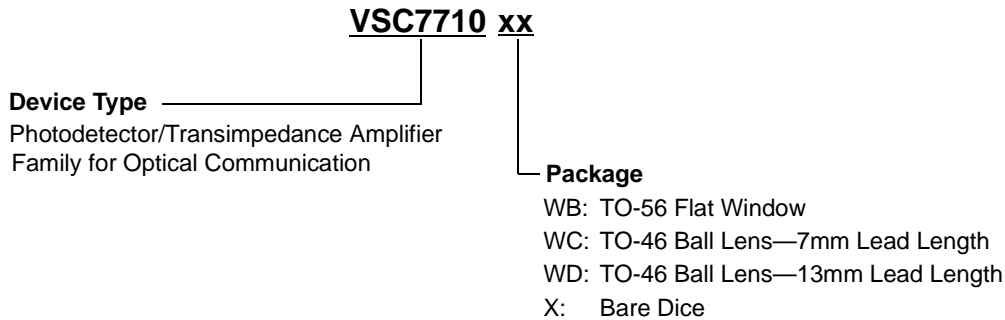
TO-46 Ball Lens—13mm Lead Length



Reference Isometric

Ordering Information

The order number for this product is formed by a combination of the device type and package type.



Notice

Vitesse Semiconductor Corporation (“Vitesse”) provides this document for informational purposes only. This document contains pre-production information about Vitesse products in their concept, development and/or testing phase. All information in this document, including descriptions of features, functions, performance, technical specifications and availability, is subject to change without notice at any time. Nothing contained in this document shall be construed as extending any warranty or promise, express or implied, that any Vitesse product will be available as described or will be suitable for or will accomplish any particular task.

Vitesse products are not intended for use in life support appliances, devices or systems. Use of a Vitesse product in such applications without written consent is prohibited.