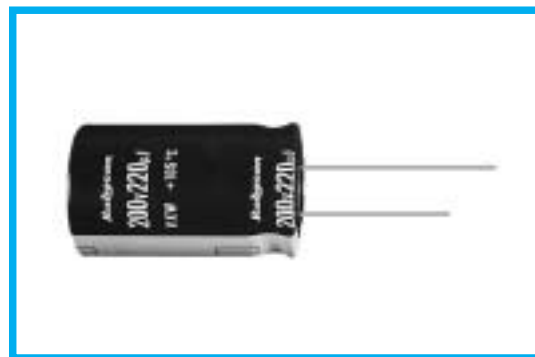


VXW SERIES
◆FEATURES

- Load Life : 105°C 10000 hours.
- Body diameter of ϕ 12.5mm to ϕ 18mm with high ripple current capability.
- Longer life than the current AXW series.
- RoHS compliance.


◆SPECIFICATIONS

Items	Characteristics				
Category Temperature Range	-25~+105°C				
Rated Voltage Range	200 · 400 · 420 · 450V.DC				
Capacitance Tolerance	±20% (20°C, 120Hz)				
Leakage Current(MAX)	$I=3\sqrt{CV}$ (After 5 minutes application of rated voltage) I =Leakage Current(μ A) C =Rated Capacitance(μ F) V =Rated Voltage(V)				
Dissipation Factor(MAX) (tan δ)	Rated Voltage (V)	200	400	420~450	(20°C, 120Hz)
	tan δ	0.15	0.15	0.20	
Endurance	After applying rated voltage with rated ripple current for 10000hrs at 105°C, the capacitors shall meet the following requirements.				
	Capacitance Change	Within ±20% of the initial value.			
	Dissipation Factor	Not more than 200% of the specified value.			
	Leakage Current	Not more than the specified value.			
Impedance Ratio(MAX)	Rated Voltage (V)	200	400~450	(120Hz)	
	Z(-25°C)/Z(20°C)	3	8		

◆MULTIPLIER FOR RIPPLE CURRENT

Frequency coefficient

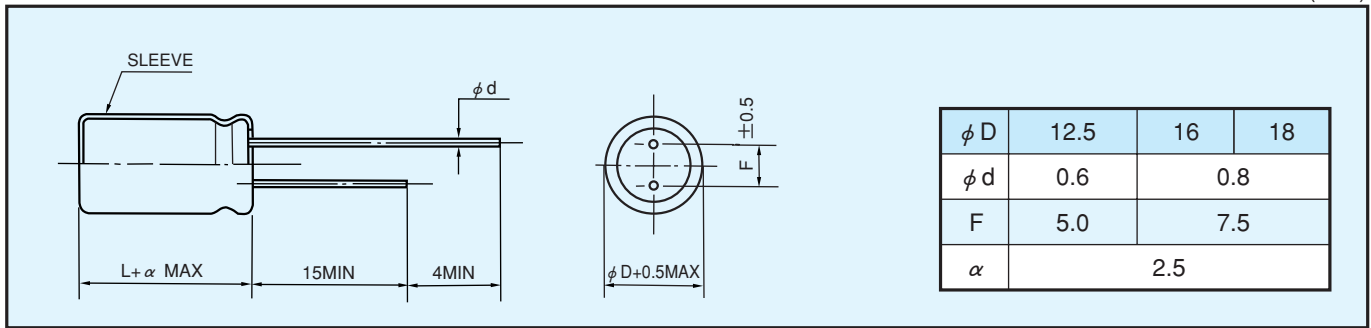
Frequency (Hz)	60(50)	120	500	1k	10k \leq
Coefficient 200WV	0.8	1.0	1.20	1.30	1.40
400~450WV	0.8	1.0	1.25	1.40	1.50

◆PART NUMBER

□□□	VXW	□□□□□	□	□□□	□□	DXL
Rated Voltage	Series	Rated Capacitance	Capacitance Tolerance	Option	Lead Forming	Case Size

◆ DIMENSIONS

(mm)


◆ STANDARD SIZE, RATED RIPPLE CURRENT

Cap (μF)	WV ϕD	200					
		$\phi 12.5$		$\phi 16$		$\phi 18$	
120		12.5×30	0.53				
150		12.5×35	0.62				
180		12.5×40	0.70				
220				16×30	0.76	18×30	0.81
270				16×35	0.88	18×30	0.87
330				16×40	1.10	18×35	1.01
390						18×40	1.13
470						18×45	1.27

Cap (μF)	WV ϕD	400					
		$\phi 12.5$		$\phi 16$		$\phi 18$	
39		12.5×30	0.32				
47		12.5×35	0.37				
56		12.5×40	0.42				
68				16×30	0.48		
82				16×30	0.50		
100				16×35	0.58	18×30	0.58
120				16×40	0.66	18×35	0.67
150						18×40	0.77
180						18×45	0.88

Cap (μF)	WV ϕD	420				450					
		$\phi 12.5$		$\phi 16$		$\phi 12.5$		$\phi 16$		$\phi 18$	
27						12.5×30	0.25				
33		12.5×30	0.27			12.5×35	0.28				
39		12.5×35	0.31			12.5×40	0.32				
47		12.5×40	0.36					16×30	0.38		
56				16×30	0.43			16×35	0.44		
68				16×35	0.51	18×30	0.51	16×40	0.49	18×30	0.48
82				16×40	0.57	18×30	0.57			18×30	0.55
100						18×35	0.61			18×35	0.65
120						18×40	0.66			18×40	0.74

Please check with us about individual WV, Cap., size and dimensions.

Size $\phi D \times L$ (mm) ↑
 Ripple Current (A r.m.s./105°C, 120Hz) ↑