

# 2.50mm (0.098") PITCH CONNECTOR

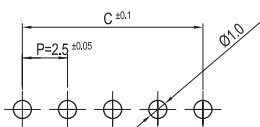
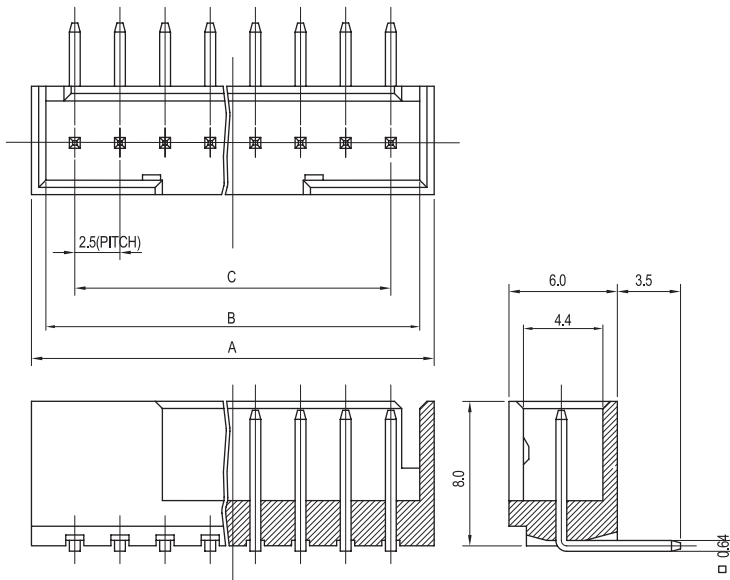
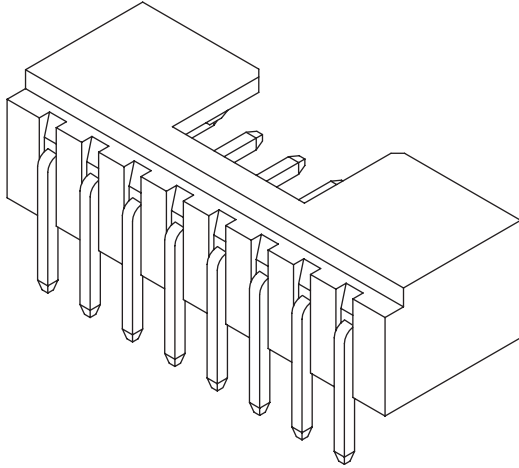


Wire-to-Board  
Wafer

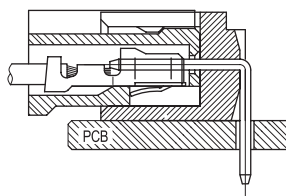
**YAW025 Series**

**DIP**

**Right Angle**



PCB LAYOUT



PCB ASS'Y

## Material

| I/NO | DESCRIPTION | TITLE  | MATERIAL           |
|------|-------------|--------|--------------------|
| 1    | WAFER       | YAW025 | PA66, UL94 V Grade |
| 2    | PIN         |        | Brass & Tin-Plated |

## Available Pin

| PARTS NO. | DIM. A | DIM. B | DIM. C |
|-----------|--------|--------|--------|
| YAW025-02 | 7.3    | 5.7    | 2.5    |
| YAW025-03 | 9.8    | 8.2    | 5.0    |
| YAW025-04 | 12.3   | 10.7   | 7.5    |
| YAW025-05 | 14.8   | 13.2   | 10.0   |
| YAW025-06 | 17.3   | 15.7   | 12.5   |
| YAW025-07 | 19.8   | 18.2   | 15.0   |
| YAW025-08 | 22.3   | 20.7   | 17.5   |
| YAW025-09 | 24.8   | 23.2   | 20.0   |
| YAW025-10 | 27.3   | 25.7   | 22.5   |
| YAW025-11 | 29.8   | 28.2   | 25.0   |
| YAW025-12 | 32.3   | 30.7   | 27.5   |
| YAW025-13 | 34.8   | 33.2   | 30.0   |
| YAW025-14 | 37.3   | 35.7   | 32.5   |
| YAW025-15 | 39.8   | 38.2   | 35.0   |

## Specification

| ITEM                   | SPEC         |
|------------------------|--------------|
| Voltage Rating         | AC/DC 250V   |
| Current Rating         | AC/DC 3A     |
| Operating Temperature  | -25°C~+85°C  |
| Contact Resistance     | 30mΩ MAX     |
| Withstanding Voltage   | AC1000V/1min |
| Insulation Resistance  | 1000MΩ MIN   |
| Applicable Wire        | -            |
| Applicable P.C.B       | 1.2~1.6mm    |
| Applicable FPC/FFC     | -            |
| Solder Height          | -            |
| Crimp Tensile Strength | -            |
| UL FILE NO             | E108706      |