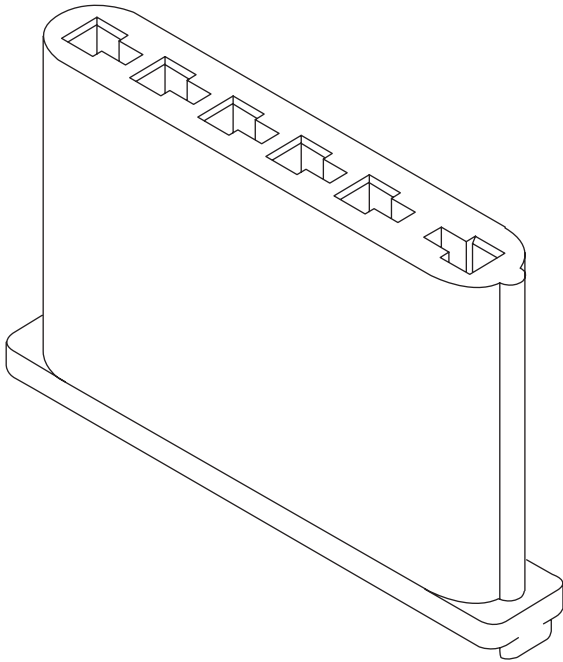


5.00mm (0.196") PITCH CONNECTOR

Dy Connector
Housing

YFSH500 Series



Material

I/NO	DESCRIPTION	TITLE	MATERIAL
1	HOUSING	YFSH500	PA66, UL94 V Grade

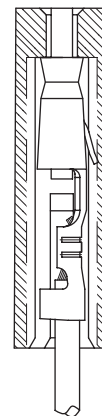
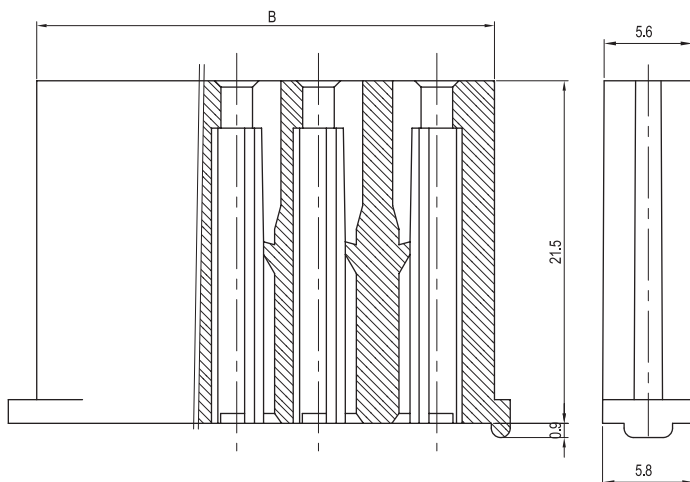
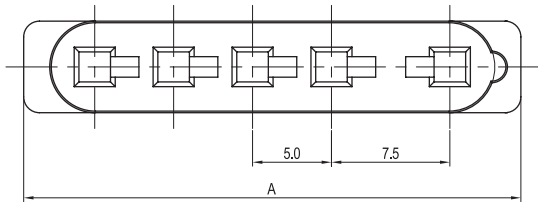
Available Pin

PARTS NO.	DIM. A	DIM. B
YFSH500-04	26.5	23.2
YFSH500-05	31.5	28.2
YFSH500-06	36.5	33.2

Specification

ITEM	SPEC
Voltage Rating	AC/DC 250V
Current Rating	AC/DC 5A
Operating Temperature	-25°C~+85°C
Contact Resistance	30mΩ MAX
Withstanding Voltage	AC1500V/1min
Insulation Resistance	1000MΩ MIN
Applicable Wire	AWG #20~#24
Applicable P.C.B	-
Applicable FPC/FFC	-
Solder Height	-
Crimp Tensile Strength	-
UL FILE NO	-

Application Terminal : YDST157 (206 page)



TERMINAL ASSEMBLY DRAWING



AWG : #20 ~ #24