



**Z87C33**

***CMOS Z8<sup>®</sup> MCU Consumer  
Controller Processor***

**Product Specification**

PS015601-1003



©2003 by ZiLOG, Inc. All rights reserved. Information in this publication concerning the devices, applications, or technology described is intended to suggest possible uses and may be superseded. ZiLOG, INC. DOES NOT ASSUME LIABILITY FOR OR PROVIDE A REPRESENTATION OF ACCURACY OF THE INFORMATION, DEVICES, OR TECHNOLOGY DESCRIBED IN THIS DOCUMENT. ZiLOG ALSO DOES NOT ASSUME LIABILITY FOR INTELLECTUAL PROPERTY INFRINGEMENT RELATED IN ANY MANNER TO USE OF INFORMATION, DEVICES, OR TECHNOLOGY DESCRIBED HEREIN OR OTHERWISE. Except with the express written approval of ZiLOG, use of information, devices, or technology as critical components of life support systems is not authorized. No licenses are conveyed, implicitly or otherwise, by this document under any intellectual property rights.



# Table of Contents

|                                       |    |
|---------------------------------------|----|
| Architectural Overview .....          | 1  |
| Features .....                        | 2  |
| Functional Block Diagram .....        | 3  |
| Pin Description .....                 | 4  |
| Pin Functions .....                   | 5  |
| Control Registers .....               | 32 |
| Expanded Register File, Bank 0h ..... | 32 |
| Timer Mode Register .....             | 32 |
| Expanded Register File, Bank Fh ..... | 42 |
| Electrical Characteristics .....      | 47 |
| Absolute Maximum Ratings .....        | 47 |
| DC Electrical Characteristics .....   | 49 |
| AC Electrical Characteristics .....   | 56 |
| Standard Test Conditions .....        | 61 |
| Capacitance .....                     | 61 |
| Packaging .....                       | 61 |
| Ordering Information .....            | 63 |
| Part Number Description .....         | 64 |
| Document Information .....            | 65 |
| Document Number Description .....     | 65 |
| Customer Feedback Form .....          | 65 |
| Z87C33 Product Specification .....    | 65 |
| Product Information .....             | 66 |
| Return Information .....              | 66 |



# List of Figures

|   |    |
|---|----|
| Figure 1. Functional Block Diagram . . . . .                        | 3  |
| Figure 2. 28-Pin DIP/SOIC Pin Configuration . . . . .               | 4  |
| Figure 3. Port 0 Configuration . . . . .                            | 6  |
| Figure 4. Port 2 Configuration . . . . .                            | 7  |
| Figure 5. Port 3 Configuration . . . . .                            | 9  |
| Figure 6. Port 3 Configuration—PCON Register Detail . . . . .       | 10 |
| Figure 7. Program Memory Map . . . . .                              | 12 |
| Figure 8. Register Pointer—Detail . . . . .                         | 14 |
| Figure 9. Expanded Register File Architecture . . . . .             | 16 |
| Figure 10. Counter/Timer Block Diagram . . . . .                    | 17 |
| Figure 11. Interrupt Block Diagram . . . . .                        | 18 |
| Figure 12. Oscillator Configuration . . . . .                       | 20 |
| Figure 13. Stop-Mode Recovery Source . . . . .                      | 25 |
| Figure 14. Resets and Watch-Dog Timer Example . . . . .             | 30 |
| Figure 15. Typical Low-Voltage Protection vs. Temperature . . . . . | 31 |
| Figure 16. Additional Timing . . . . .                              | 56 |
| Figure 17. Test Load Diagram . . . . .                              | 61 |
| Figure 18. 28-Pin DIP Package Diagram . . . . .                     | 62 |
| Figure 19. 28-Pin SOIC Package Diagram . . . . .                    | 63 |



# List of Tables

|  |    |
|--|----|
| Table 1. Family Features . . . . .   | 2  |
| Table 2. 28-Pin DIP/SOIC Pin Configuration . . . . .   | 4  |
| Table 3. Port 3 Pin Assignments . . . . .  | 8  |
| Table 4. Register Pointer Register—RP FDh/R253 Bank 0h: READ/WRITE . .   | 13 |
| Table 5. Interrupt Types, Sources, and Vectors. . . . .  | 18 |
| Table 6. IRQ Register* . . . . .   | 19 |
| Table 7. Port Configuration Register—PCON 00h/R0 Bank Fh: WRITE ONLY. .  | 22 |
| Table 8. Stop-Mode Recovery Register 1—SMR1 0Bh/R11 Bank Fh: WRITE ONLY, except Bit D7, which is READ ONLY . . . . . | 23 |
| Table 9. Stop-Mode Recovery Source . . . . .   | 26 |
| Table 10. Stop-Mode Recovery Register 2 . . . . .  | 26 |
| Table 11. Stop-Mode Recovery Register 2—SMR2 0Dh/R13 Bank Fh: WRITE ONLY . . . . .                                   | 27 |
| Table 12. Watch-Dog Timer Mode Register—WDTMR 0Fh/R15: WRITE ONLY . . . . .  | 28 |
| Table 13. WDT Time Select . . . . .  | 28 |
| Table 14. Maximum ( $V_{LV}$ ) Conditions: . . . . .   | 31 |
| Table 15. Expanded Register File Registers—Reset States . . . . .  | 32 |
| Table 16. Timer Mode Register—TMR F1h/R241 Bank 0h: READ/WRITE. . . .  | 33 |
| Table 17. Counter/Timer 1 Register—T1 F2h/R242 Bank 0h: READ/WRITE . .   | 33 |
| Table 18. Prescaler 1 Register—PRE1 F3h/R243 Bank 0h: WRITE ONLY . . .   | 34 |
| Table 19. Counter/Timer 0 Register—T0 F4h/R244 Bank 0h: READ/WRITE . .   | 35 |
| Table 20. Prescaler 0 Register—PRE0 F5h/R245 Bank 0h: WRITE ONLY . . .   | 35 |
| Table 21. Port 2 Mode Register—P2M F6h/R246 Bank 0h: WRITE ONLY. . . .   | 36 |
| Table 22. Port 3 Mode Register—P3M F7h/R247 Bank 0h: WRITE ONLY. . . .   | 36 |
| Table 23. Ports 0 and 1 Mode Register—P01M F8h/R248 Bank 0h: WRITE ONLY. . . . .                                     | 37 |
| Table 24. Interrupt Priority Register—IPR F9h/R249 Bank 0h: WRITE ONLY .   | 37 |
| Table 25. Interrupt Request Register—IRQ FAh/R250 Bank 0h: READ/WRITE  | 38 |
| Table 26. Interrupt Mask Register—IMR FBh/R251 Bank 0h: READ/WRITE . .   | 39 |
| Table 27. Flags Register—FLAGS FCh/R252 Bank 0h: READ/WRITE. . . . .   | 40 |
| Table 28. Register Pointer—RP FDh/R253 Bank 0h: READ/WRITE. . . . .  | 41 |
| Table 29. General Purpose—GPR FEh/R254 Bank 0h: READ/WRITE. . . . .  | 41 |
| Table 30. Stack Pointer Low—SPL FFh/R255 Bank 0h: READ/WRITE . . . . .   | 42 |
| Table 31. Expanded Register File Registers—Reset States . . . . .  | 42 |



|  |    |
|--|----|
| Table 32. Port Configuration Register—PCON 00h/R0 Bank Fh: WRITE ONLY        | 43 |
| Table 33. Stop-Mode Recovery Register—SMR 0Bh/R11 Bank Fh:<br>READ/WRITE     | 44 |
| Table 34. Stop-Mode Recovery Register 2—SMR2 0Dh/R13 Bank Fh: WRITE<br>ONLY  | 46 |
| Table 35. Watch-Dog Timer Mode Register—WDTMR 0Fh/R15 Bank Fh: WRITE<br>ONLY | 46 |
| Table 36. Absolute Maximum Ratings   | 47 |
| Table 37. DC Electrical Characteristics at Standard Temperature              | 49 |
| Table 38. DC Electrical Characteristics at Extended Temperature              | 53 |
| Table 39. Additional Timing at Standard Temperature                          | 57 |
| Table 40. Additional Timing at Extended Temperature                          | 59 |
| Table 41. Capacitance*   | 61 |
| Table 42. Ordering Information   | 63 |



## Architectural Overview

ZiLOG's large Z8<sup>®</sup> family of 8-bit microcontrollers now includes the Z87C33 product line, featuring an enhanced wake-up circuitry, programmable Watch-Dog Timers (WDT), and low-noise/EMI options. These enhancements to the Z8 offers a more efficient, cost-effective design and provides the user with increased design flexibility over the standard Z8 microcontroller core. The low-power-consumption CMOS microcontroller offers fast execution, efficient use of memory, sophisticated interrupts, input/output bit manipulation capabilities, and easy hardware/software system expansion.

The Z87C33 subfamily features an Expanded Register File (ERF) to allow access to register-mapped peripheral and I/O circuits. Four basic address spaces are available to support this wide range of configurations: Program Memory, Register File, and ERF. The Register File is composed of 237 bytes of general-purpose registers, three I/O port registers, 15 control and status registers. The ERF consists of four control registers.

For applications demanding powerful I/O capabilities, the Z87C33 offers 24 pins dedicated to input and output. These lines are configurable under software control.

The Z87C33 family operates at 4MHz with a voltage range of 3.0 to 5.5V<sub>DC</sub>.

To unburden the system from coping with real-time tasks such as counting/timing, the Z8 offers two on-chip counter/timers with a large number of user-selectable modes.

- ▶ **Note:** All signals with an overline are active Low. For example,  $\overline{B/W}$ , for which WORD is active Low, and  $\overline{B/W}$ , for which BYTE is active Low.

Power connections follow these conventional descriptions:

| Connection | Circuit         | Device          |
|------------|-----------------|-----------------|
| Power      | V <sub>CC</sub> | V <sub>DD</sub> |
| Ground     | GND             | V <sub>SS</sub> |



## Features

Table 1. Family Features

| Device | ROM (KB) | RAM* (Bytes) | Speed (MHz—Standard and Extended Temperature) |
|--------|----------|--------------|---|
| Z87C33 | 4        | 236          | 4   |

Note: \*General-Purpose.

- 28-Pin DIP and 28-Pin SOIC
- 3.0- to 5.5-Volt Operating Range
- Operating Temperature Ranges:  
Standard: 0°C to 70°C  
Extended: -40°C to +105°C
- Expanded Register File (ERF)
- 24 Input/Output Lines
- Vectored, Prioritized Interrupts with Programmable Polarity
- Two Analog Comparators
- Two Programmable 8-Bit Counter/Timers, each with two 6-Bit Programmable Prescalers
- VBO/Power-On Reset (POR)
- Clock-Free Watch-Dog Timer (WDT) Reset
- On-Chip Oscillator that accepts a Crystal, Ceramic Resonator, LC, RC, or External Clock
- RAM and ROM Protect



## Functional Block Diagram

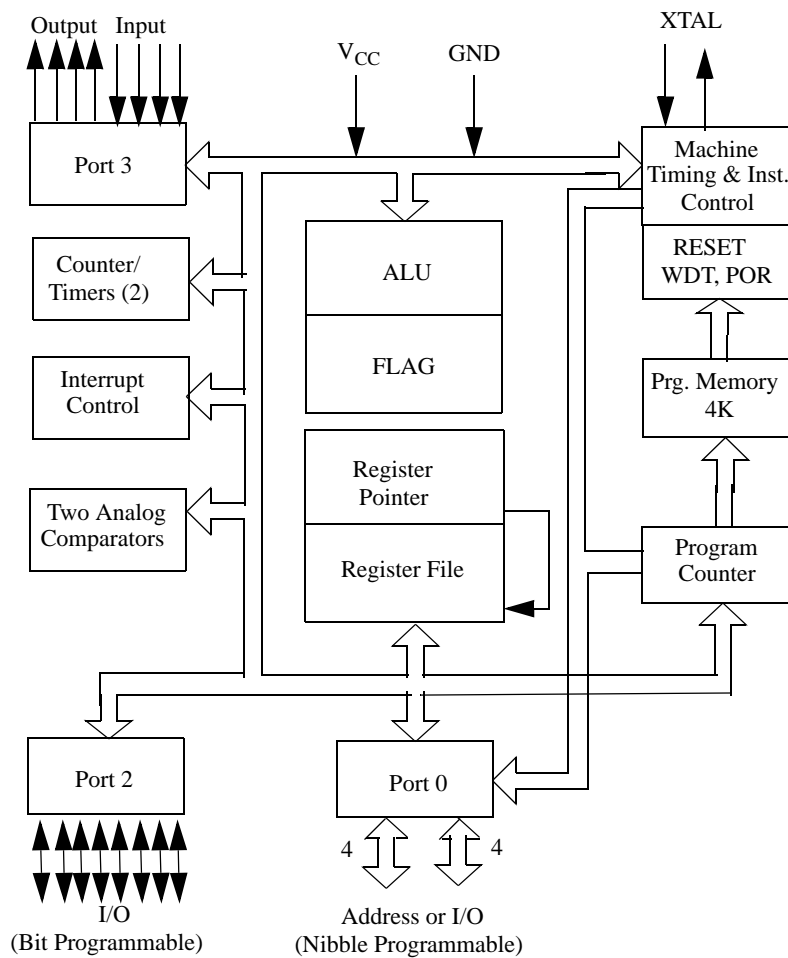


Figure 1. Functional Block Diagram

## Pin Description

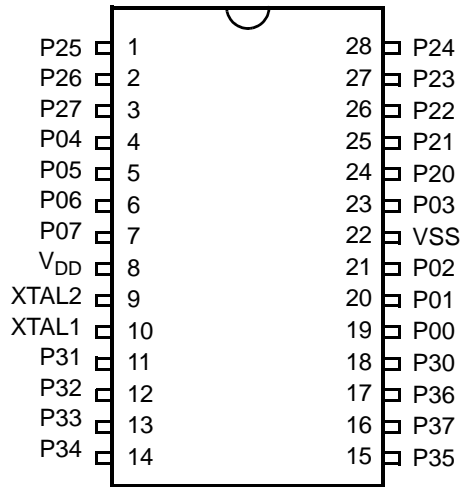


Figure 2.28-Pin DIP/SOIC Pin Configuration

Table 2. 28-Pin DIP/SOIC Pin Configuration

| Pin # | Symbol   | Function               | Direction    |
|-------|----------|------------------------|--------------|
| 1–3   | P25-27   | Port 2, Pins 5,6,7     | Input/Output |
| 4-7   | P04-07   | Port 0, Pins 4-7       | Input/Output |
| 8     | $V_{DD}$ | Power Supply           |              |
| 9     | XTAL2    | Crystal Oscillator     | Output       |
| 10    | XTAL1    | Crystal Oscillator     | Input        |
| 11-13 | P31-33   | Port 3, Pins 1,2,3     | Fixed Input  |
| 14-15 | P34-35   | Port 3, Pins 4,5       | Fixed Output |
| 16    | P37      | Port 3, Pin 7          | Fixed Output |
| 17    | P36      | Port 3, Pin 6          | Fixed Output |
| 18    | P30      | Port 3, Pin 0          | Fixed Input  |
| 19-21 | P00-02   | Port 0, Pins 0,1,2     | Input/Output |
| 22    | $V_{SS}$ | Ground                 |              |
| 23    | P03      | Port 0, Pin 3          | Input/Output |
| 24-28 | P20-24   | Port 2, Pins 0,1,2,3,4 | Input/Output |



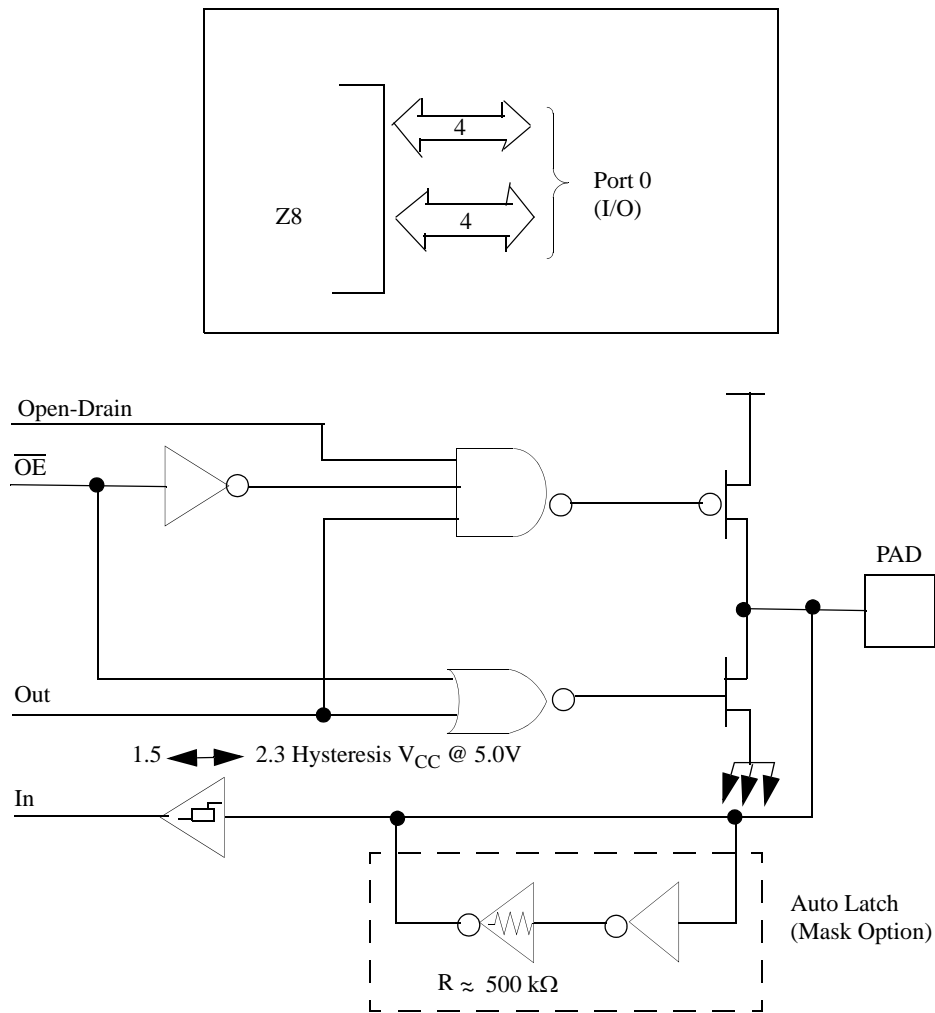
## Pin Functions

The following pages describe the function of each available Z87C33 family pin.

**X<sub>IN</sub> Crystal Input.** This pin connects a parallel-resonant crystal, ceramic resonator, LC, or RC network, or an external single-phase clock to the on-chip oscillator input.

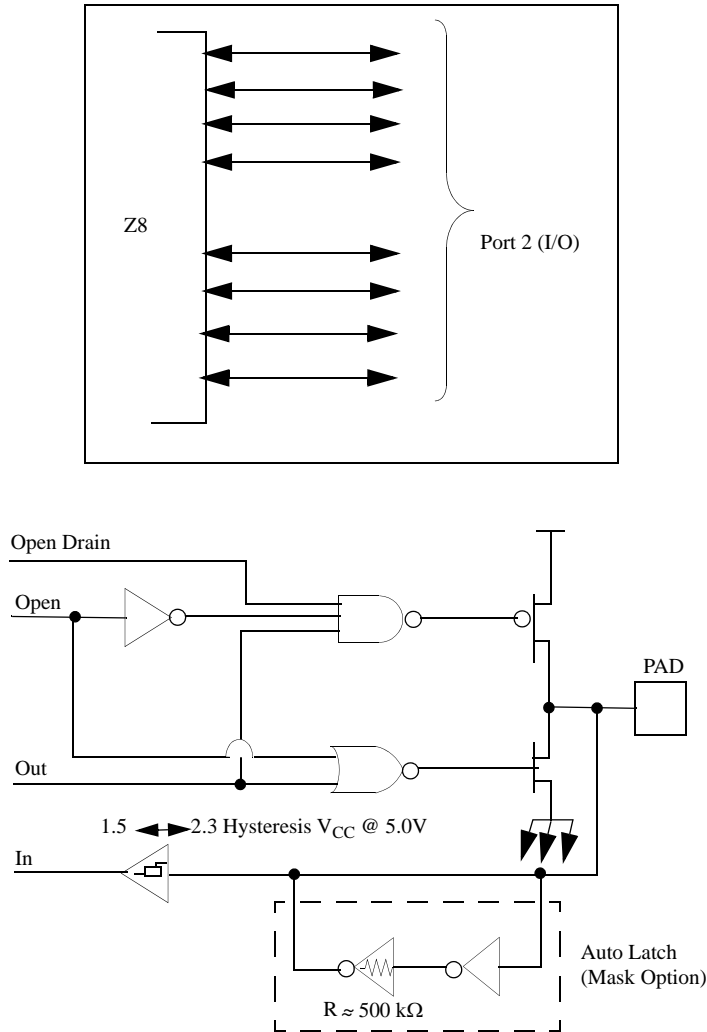
**X<sub>OUT</sub> Crystal Output.** This pin connects a parallel-resonant crystal, ceramic resonator, LC, or RC network to the on-chip oscillator output.

**Port 0 (P00–P07).** Port 0 is an 8-bit, bidirectional, CMOS-compatible port. These eight I/O lines are configured under software control as a nibble I/O port (P03–P00 input/output and P07–P04 input/output), or as an address port for interfacing external memory. The input buffers are Schmitt-triggered and nibble-programmed as outputs and can be globally programmed as either push-pull or open-drain. Low-EMI output buffers are globally programmed by the software.



**Figure 3. Port 0 Configuration**

**Port 2 (P27–P20).** Port 2 is an 8-bit, bidirectional, CMOS-compatible I/O port. These eight I/O lines are configured under software control as an input or output, independently. Port 2 is always available for I/O operation. The input buffers are Schmitt-triggered. Bits programmed as outputs may be globally programmed as either push-pull or open-drain. Low-EMI output buffers are globally programmed by the software. See Figure 5.



**Figure 4. Port 2 Configuration**

**Port 3 (P37–P30).** Port 3 is an 8-bit, CMOS-compatible port, with four fixed inputs (P33–P30) and four fixed outputs (P34–P37). Port 3 is configured under software control for Input/Output, Counter/Timers, interrupt, and UART. Port 3, bit 0 input is Schmitt-triggered, and pins P31, P32, and P33 are standard CMOS inputs (no autolatches). Pins P34, P35, P36, P37 are push-pull output lines. Low-EMI output buffers are globally programmed by the software.

Two onboard comparators process analog signals on P31 and P32 with reference to the voltage on P33. The analog function is enabled by programming Port 3



Mode Register (P3M bit 1). For interrupt functions, Port 3, bit 0 and pin 3 are falling-edge interrupt inputs. P31 and P32 are programmable as rising, falling, or both edge-triggered interrupts (IRQ register bits 6 and 7). P33 is the comparator reference voltage input when in Analog mode. Access to Counter/Timer 1 is made through P31 ( $T_{IN}$ ) and P36 ( $T_{OUT}$ ). Handshake lines for Ports 0, 1, and 2 are available on P31 through P36.

Port 3 also provides the following control functions: four external interrupt request signals (IRQ3–IRQ0) and timer input and output signals ( $T_{IN}$  and  $T_{OUT}$ ).

**Table 3. Port 3 Pin Assignments**

| Pin | I/O | Control   |         |           |
|-----|-----|-----------|---------|-----------|
|     |     | Timer     | Analog  | Interrupt |
| P30 | IN  |           |         | IRQ3      |
| P31 | IN  | $T_{IN}$  | AN1     | IRQ2      |
| P32 | IN  |           | AN2     | IRQ0      |
| P33 | IN  |           | REF     | IRQ1      |
| P34 | OUT |           | AN1–OUT |           |
| P35 | OUT |           |         |           |
| P36 | OUT | $T_{OUT}$ |         |           |
| P37 | OUT |           | AN2–OUT |           |

**Comparator Inputs and Outputs.** Port 3, pins P31 and P32 each feature a comparator front end. The comparator reference voltage, pin P33, is common to both comparators. In ANALOG mode, the P31 and P32 are the positive inputs to the comparators, and P33 is the reference voltage supplied to both comparators. In DIGITAL mode, pin P33 is used as a P33 register input or IRQ1 source. P34 and P37 can provide the comparator output directly by software-programming the PCON register bit D0 to 1 (see Figure 5).

- ▶ **Note:** The user must add a two-NOP delay after setting the P3M bit D1 to 1 before the comparator output is valid. IRQ0, IRQ1, and IRQ2 must be cleared in the IRQ register when the comparator is enabled or disabled.

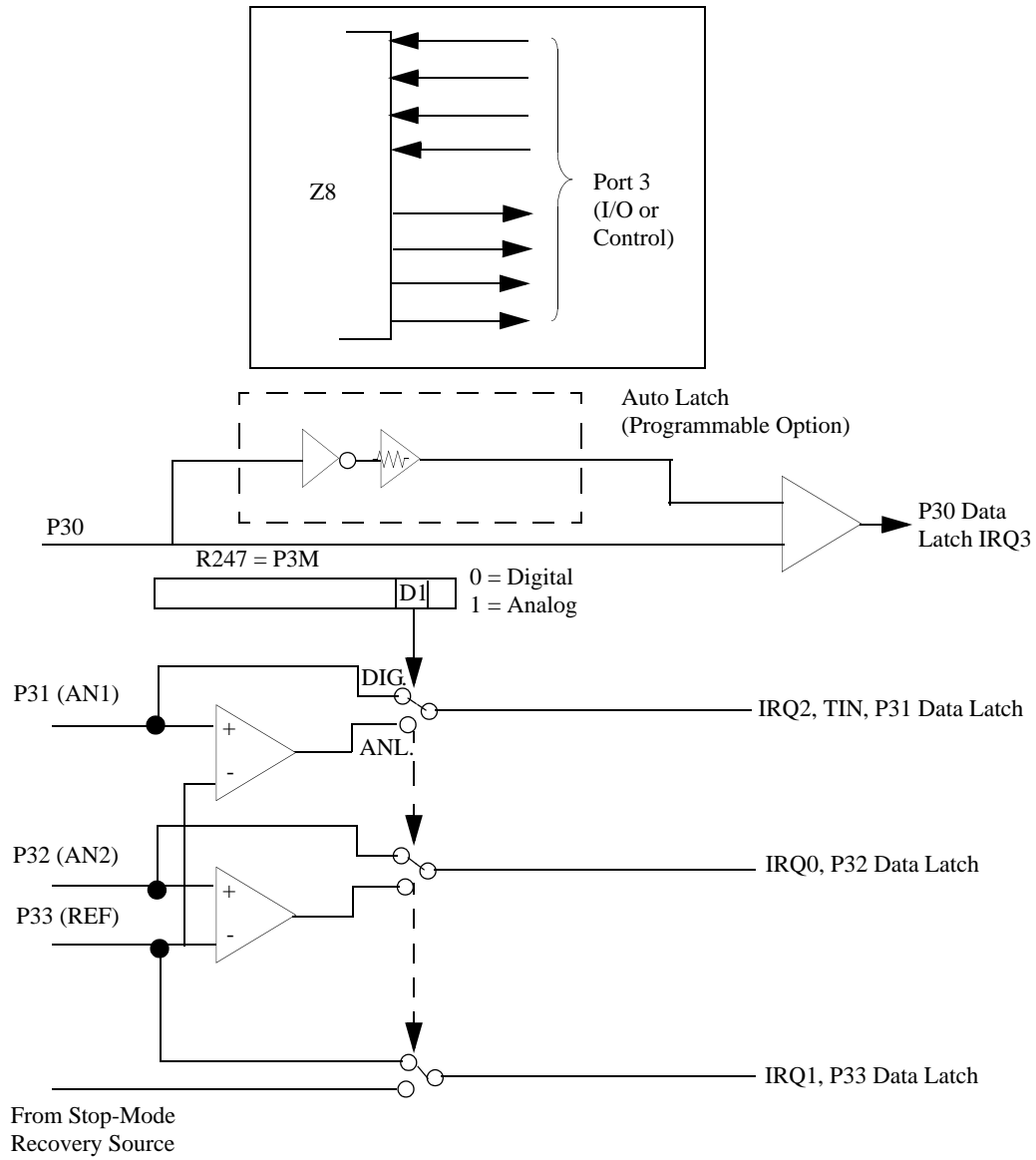
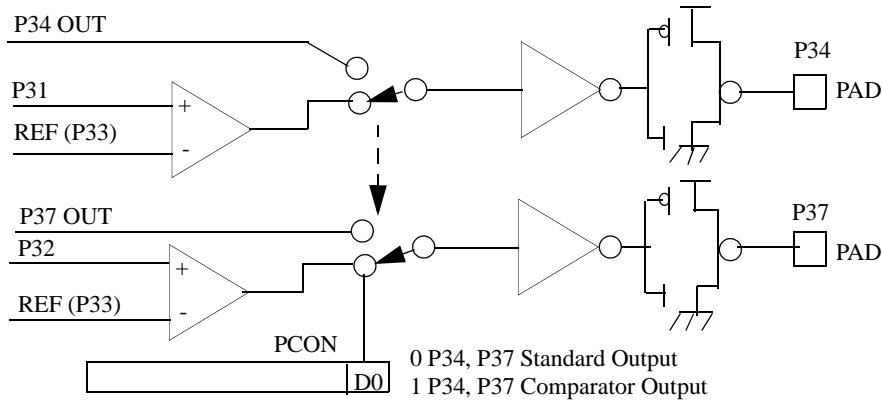


Figure 5. Port 3 Configuration



**Figure 6. Port 3 Configuration—PCON Register Detail**

**Autolatch.** The autolatch places valid CMOS levels on all CMOS inputs (except P33–P31) that are not externally driven. Whether this level is 0 or 1 cannot be determined. A valid CMOS level, rather than a floating node, reduces excessive supply current flow in the input buffer. Autolatches are available on Port 0, Port 1, Port 2, and P30. There are no auto latches on P31, P32, and P33.

- ▶ **Note:** Deletion of all port autolatches is available as an option when the device is programmed. The AUTOLATCH DISABLE option is selected by the customer when the device is programmed.





## Functional Description

The Z8 MCU incorporates the following functions that enhance the standard Z8® architecture and provide the user with increased design flexibility:

- Program Memory
- ROM Protect
- RAM Protect
- Working Register File
- Expanded Register File
- General-Purpose Registers
- Stack Pointer
- Counter/Timers
- Interrupts
- Clock
- Power-On Reset
- HALT and STOP Modes
- Port Configuration Register
- Comparator
- Stop-Mode Recovery
- Watch-Dog Timer
- Voltage Comparator ( $V_{LV}$ )

**RESET.** The device is reset in one of the following conditions.

- Power-On Reset
- Watch-Dog Timer
- Stop-Mode Recovery Source
- Low Voltage Recovery

Automatic Power-On Reset circuitry is built into the Z87C33 eliminating the requirement for an external reset circuit to reset upon power-up.

**Program Memory.** The Program Memory addresses up to 4 KB of internal memory. The first 12 bytes of program memory are reserved for the interrupt vectors. These locations contain six 16-bit vectors that correspond to the six available

interrupts. Address 12 to address 4095 consists of on-chip mask-programmed ROM.

The 4 KB program memory is mask programmable. A ROM protect feature prevents dumping of the ROM contents by inhibiting execution of LDC, LDCI, LDE, and LDEI instructions to program memory in external program mode. ROM look-up tables can be used with this feature. The ROM Protect option is mask-programmable, to be selected by the customer when the ROM code is submitted.

See Figure 7.

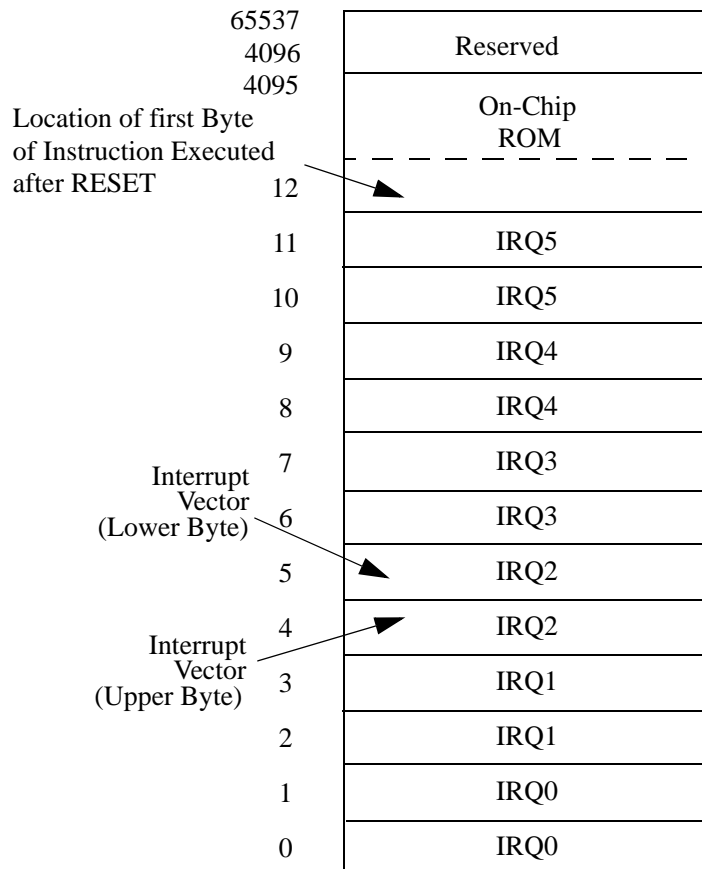


Figure 7. Program Memory Map

**ROM Protect.** ROM PROTECT provides an additional security function. When the ROM PROTECT option bit is selected, and executing out of Internal Program



Memory, instructions LDC, LDCI, LDE, and LDEI can read Internal Program Memory.

**RAM Protect.** The upper portion of the RAM's address spaces 80h to EFh (excluding the control registers) can be protected from writing. The RAM Protect option bit can be selected when the device is programmed. After the mask option is selected, the user activates this feature from the internal ROM code to turn off/on the RAM Protect by loading either a 0 or a 1 into the IMR register, bit D6. A 1 in bit D6 enables the RAM Protect option.

**Working Register File.** The Z8 standard register file (Bank 0) contains 3 I/O port registers, 237 general-purpose registers, and 15 control and status registers. Expanded register file Bank Fh contains 4 system-configuration registers. The working registers are accessed directly or indirectly via an 8-bit address field. As a result, a short 4-bit register address can use the Register Pointer (Table 5 and Figure 9). In the 4-bit mode, the working register file is divided into 16 working register groups, each occupying 16 continuous locations. The Register Pointer addresses the starting location of the active working register group.

Throughout this document, Bank 0 is referred to as the Z8 Standard Register File.

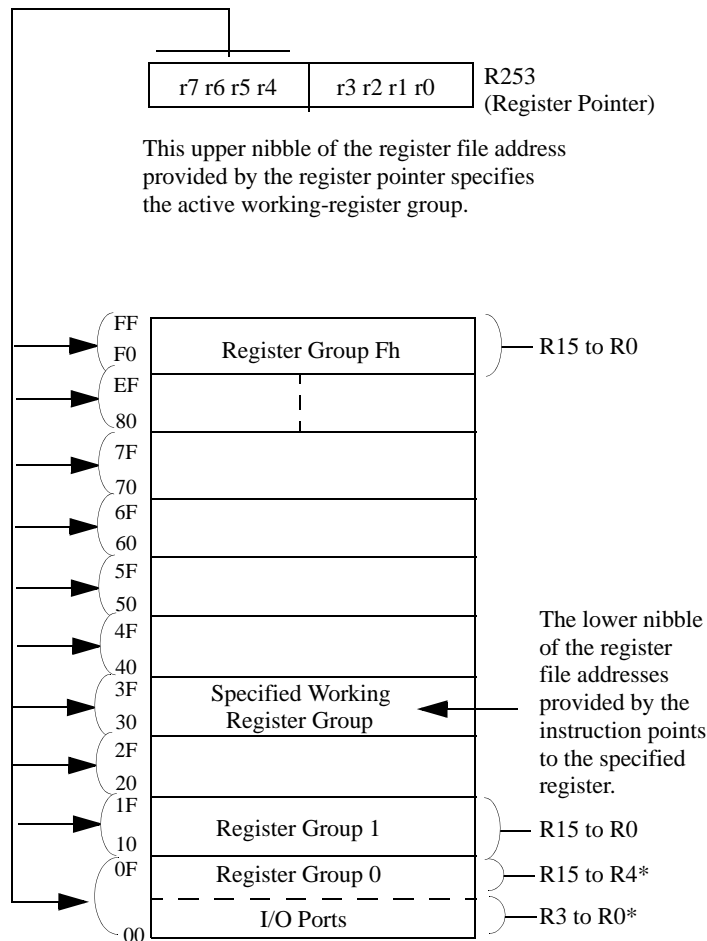
**Table 4. Register Pointer Register—RP FDh/R253 Bank 0h: READ/WRITE**

|       |     |     |     |     |     |     |     |     |
|-------|-----|-----|-----|-----|-----|-----|-----|-----|
| Bit   | D7  | D6  | D5  | D4  | D3  | D2  | D1  | D0  |
| R/W   | R/W | R/W | R/W | R/W | R/W | R/W | R/W | R/W |
| Reset | 0   | 0   | 0   | 0   | 0   | 0   | 0   | 0   |

Note: R = Read, W = Write, X = Indeterminate.

| Bit Position | Bit Field         | R/W | Reset State | Description                    |
|--------------|-------------------|-----|-------------|--------------------------------|
| D7–D4        | Working Registers | R/W | 0           | Working Register Group Pointer |
| D3–D0        | ERF               | R/W | 0           | Expanded Register File         |

**Expanded Register File (ERF).** The Z8 register file is expanded to allow for additional system control registers, and for mapping of additional peripheral devices, along with the I/O ports, into the register address area. The Z8 register address space 0 through 255 is implemented as 16 groups of 16 registers per bank (Figures 8 and 9). There are 16 banks known as the Expanded Register File (ERF). Bits 7–4 of register RP select the Working Register Group. Bits 3–0 of register RP select the Expanded Register File Bank. Four system configuration registers reside in the Expanded Register File at Bank Fh—PCON, SMR, SMR2, and WDTMR. The remainder of the Expanded Register is not physically implemented, and is open for future expansion.



\* Expanded Register File Bank 0 is selected in this figure by handling bits D3 to D0 as "0" in Register R253 (RP).

Figure 8. Register Pointer—Detail

**General-Purpose Registers (GPR).** General-purpose registers are undefined after the device is powered up. These registers keep the most recent value after any RESET, as long as the RESET occurs in the  $V_{CC}$  voltage-specified operating range. General-purpose registers are not guaranteed to keep their most recent state from a Low-Voltage Protection ( $V_{LV}$ ) RESET if  $V_{CC}$  drops below 1.8V.



- ▶ **Note:** Register `E0h-EFh` is only accessed via working register and indirect addressing modes.

**Stack Pointer.** The internal register file is used for the stack. An 8-bit Stack Pointer (SPL) is used for the internal stack that resides within the 236 general-purpose registers. Stack Pointer High (SPH) is used as a general-purpose register.

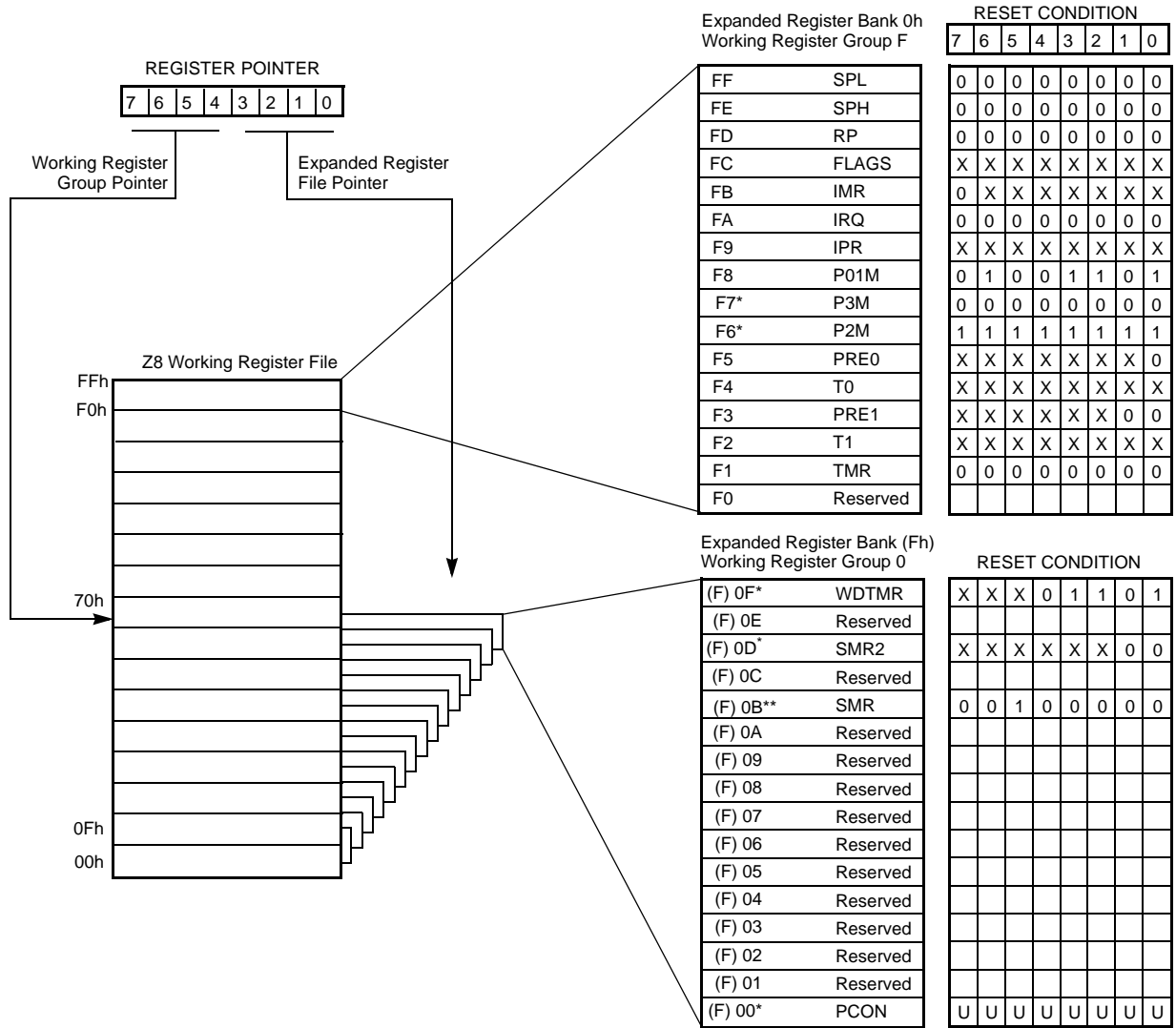
- ▶ **Note:** SPH and SPL are set to `00h` after any RESET or Stop-Mode Recovery.

**Counter/Timers.** There are two 8-bit programmable counter/timers (T0–T1), each driven by its own 6-bit programmable prescaler. The T1 prescaler is driven by internal or external clock sources; however, the T0 prescaler is driven by the internal clock only (Figure 10).

The 6-bit prescalers can divide the input frequency of the clock source by any integer number from 1 to 64. Each prescaler drives its counter, which decrements the value (1 to 256) that is loaded into the counter. When the counter reaches the end of the count, a timer interrupt request, IRQ4 (T0) or IRQ5 (T1), is generated.

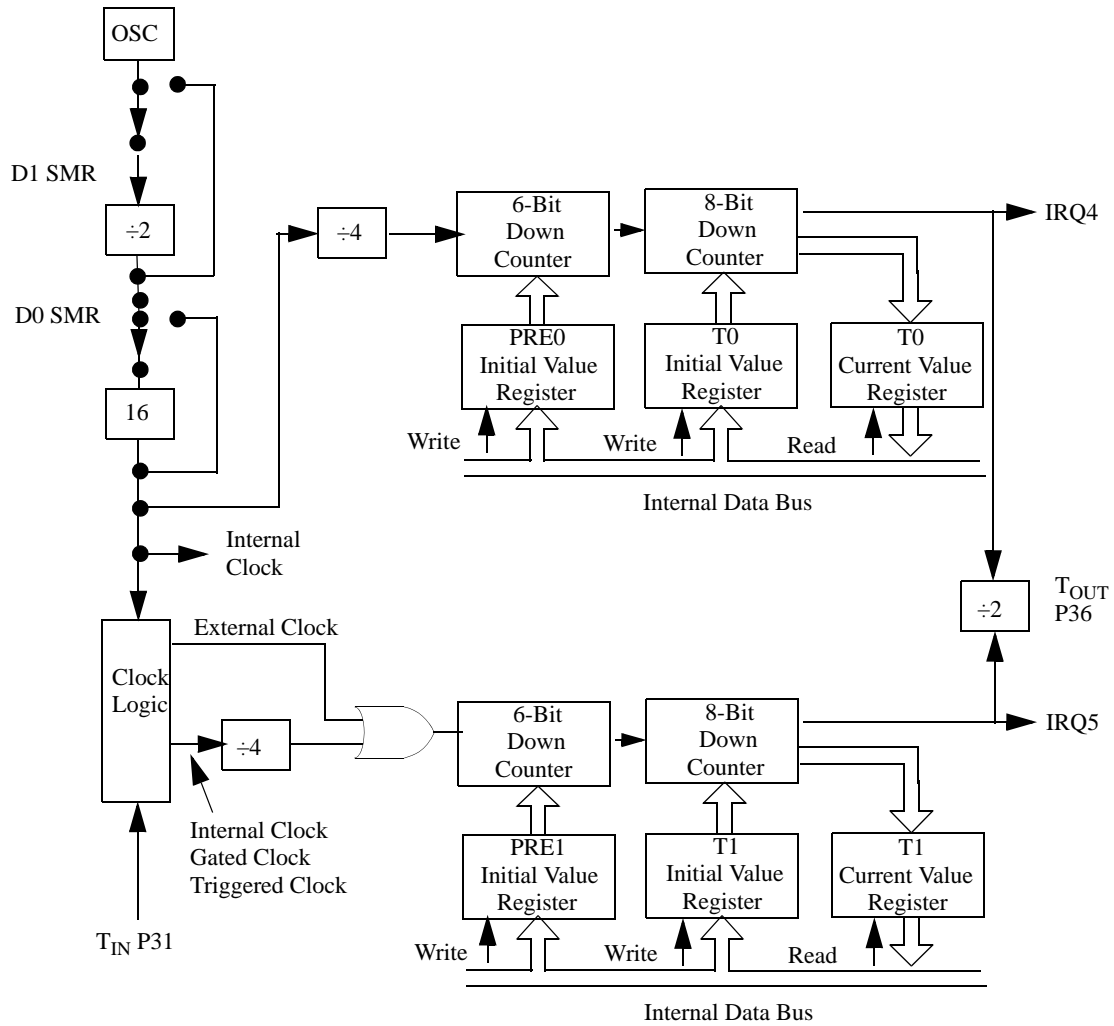
The counters are programmed to START, STOP, restart to CONTINUE, or restart from the initial value. The counters can also be programmed to STOP upon reaching 0 (SINGLE-PASS mode) or to automatically reload the initial value and continue counting (MODULO–N CONTINUOUS mode).

The counters, but not the prescalers, are read at any time without disturbing their value or count mode. The clock source for T1 is user-definable and is either the internal microprocessor clock divide-by-four, or an external signal input through Port 3. The Timer Mode Register configures the external timer input (P31) as an external clock, a trigger input that is retriggerable or nonretriggerable, or as a gate input for the internal clock. The counter/timers are cascaded by connecting the T0 output to the input of T1.  $T_{IN}$  mode is enabled by setting PRE1 bit D1 to 0.



Notes  
X - Indeterminate  
\* - Is not reset via Stop-Mode Recovery  
\*\* - Is not reset via Stop-Mode Recovery, except for bit D0

Figure 9. Expanded Register File Architecture

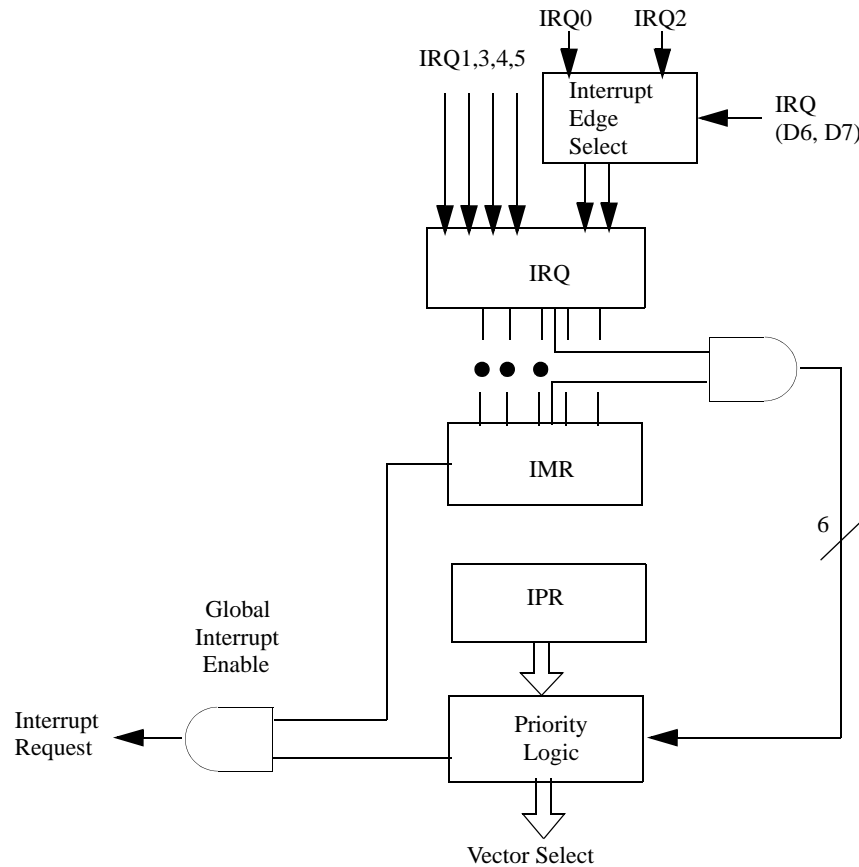


**Figure 10. Counter/Timer Block Diagram**

**Interrupts.** The Z8 features six different interrupts from six different sources. These interrupts are maskable and prioritize. The six sources are divided as follows: four sources are claimed by Port 3 lines P33–P30, and two are claimed by counter/timers (Interrupt Types, Sources, and Vectors). The Interrupt Mask Register globally or individually enables or disables the six interrupt requests.

**Table 5. Interrupt Types, Sources, and Vectors**

| Name  | Source                | Vector Location | Comments   |
|-------|-----------------------|-----------------|--|
| IRQ0  | IRQ0                  | 0,1             | External (P32), Rising and Falling Edges Triggered |
| IRQ1, | IRQ1                  | 2,3             | External (P33), Falling Edge Triggered             |
| IRQ2  | IRQ2, T <sub>IN</sub> | 4,5             | External (P31), Rising and Falling Edges Triggered |
| IRQ3  | IRQ3                  | 6,7             | External (P30), Falling Edge Triggered             |
| IRQ4  | T0                    | 8,9             | Internal   |
| IRQ5  | T1                    | 10,11           | Internal   |



**Figure 11. Interrupt Block Diagram**





When more than one interrupt is pending, priorities are resolved by a programmable priority encoder that is controlled by the Interrupt Priority register. An interrupt machine cycle activates when an interrupt request is granted. This action disables all subsequent interrupts, saves the Program Counter and Status Flags, and then branches to the program memory vector location reserved for that interrupt.

All Z8 interrupts are vectored through locations in the program memory. This memory location and the next byte contain the 16-bit address of the interrupt service routine for that particular interrupt request. To accommodate polled interrupt systems, interrupt inputs are masked and the Interrupt Request register is polled to determine which of the interrupt requests require service.

When in ANALOG mode, an interrupt resulting from AN1 maps to IRQ2, and an interrupt from AN2 maps to IRQ0. Interrupts IRQ2 and IRQ0 may be rising, falling, or both edge-triggered, and are programmed in the IRQ register. The software polls to identify the state of the pin. When in ANALOG mode, IRQ1 is generated by the Stop-Mode Recovery source selected by SMR Register bits D4, D3, D2, or SMR2 D1 or D0.

Programming bits for the Interrupt Edge Select are located in the IRQ register, bits D7 and D6. The configuration is indicated in Table 7.

**Table 6. IRQ Register\***

| IRQ |    | Interrupt Edge |     |
|-----|----|----------------|-----|
| D7  | D6 | P31            | P32 |
| 0   | 0  | F              | F   |
|     | 1  | F              | R   |
| 1   | 0  | R              | F   |
| 1   | 1  | R/F            | R/F |

Notes:

F = Falling Edge

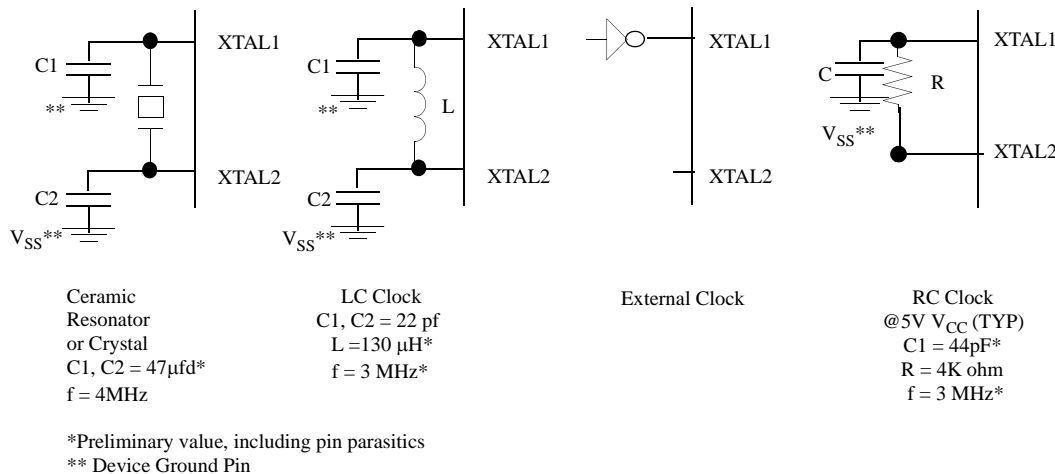
R = Rising Edge

**Clock.** The Z8 on-chip oscillator features a high-gain, parallel-resonant amplifier for connection to a crystal, LC, RC, ceramic resonator, or any suitable external clock source ( $X_{IN} = INPUT$ ,  $X_{OUT} = OUTPUT$ ). The crystal should be AT-cut, 4 MHz maximum, with a series resistance ( $R_S$ ) of less than or equal to 100Ω when oscillating from 1 MHz to 4 MHz.

The crystal should be connected across XTAL1 and XTAL2 using the vendor's recommended capacitor values from each pin directly to the device Ground pin to reduce ground-noise injection into the oscillator. The RC oscillator option is mask-

programmable and is selectable by the customer at the time the ROM code is submitted.

- **Notes:** The RC option is available up to 4MHz. The RC oscillator configuration must be an external resistor connected from  $X_{IN}$  to  $X_{OUT}$ , with a frequency-setting capacitor from  $X_{IN}$  to Ground (Figure 12).  
For better noise immunity, the capacitors should be tied directly to the device Ground pin ( $V_{SS}$ ).



**Figure 12. Oscillator Configuration**

**Power-On Reset (POR).** A timer circuit clocked by a dedicated on-board RC oscillator is used for the Power-On Reset (POR) timer function. The POR time allows  $V_{CC}$  and the oscillator circuit to stabilize before instruction execution begins.

The POR timer circuit is a one-shot timer triggered by one of three conditions:

1. Power fail to Power OK status.
2. Stop-Mode Recovery (if D5 of SMR = 1).
3. WDT time-out.

The POR time is specified as TPOR. Bit 5 of the Stop-Mode Register determines whether the POR timer is bypassed after Stop-Mode Recovery (typical for external clock, RC/LC oscillators).

**HALT.** HALT turns off the internal CPU clock, but not the CRYSTAL oscillation. The counter/timers, analog comparators, and external interrupts IRQ0, IRQ1, IRQ2, and IRQ3 remain active. The devices are recovered by interrupts and are either externally or internally generated. This also includes WDT time-out Reset



and  $V_{LV}$  Reset. An interrupt request must be enabled and executed to exit HALT mode. After the interrupt service routine, the program continues from the instruction after the HALT.

In order to enter STOP (or HALT) mode, it is necessary to first flush the instruction pipeline to avoid suspending execution in mid-instruction. The user must execute a NOP (Op Code = FFh) immediately before the appropriate sleep instruction. For example:

```
FF  NOP   ; clear the pipeline
6F  STOP  ; enter STOP mode
```

or

```
FF  NOP   ; clear the pipeline
7F  HALT  ; enter HALT mode
```

**STOP.** This instruction turns off the internal clock and external crystal oscillation. The STOP instruction also reduces the standby current to 10  $\mu$ A or less. The analog comparators are automatically powered down in STOP-Mode. STOP mode is terminated either by WDT time-out, POR, Stop-Mode Recovery, or any Reset. As a result, the processor restarts the application program at address 000Ch. A WDT time-out in STOP mode affects all registers the same as if a Stop-Mode Recovery occurred via a selected Stop-Mode Recovery source except that the POR delay is enabled even if the delay is selected for disable.

- **Note:** If a permanent WDT is selected, the WDT runs in all modes and cannot be stopped or disabled if the onboard RC oscillator is selected to drive the WDT.

**Port Configuration Register (PCON).** The PCON register configures the ports individually; comparator output on Port 3, open-drain on Port 0 and Port 1, low EMI on Ports 0, 1, 2, and 3, and low-EMI oscillator. The PCON register is located in the expanded register file at Bank F, location 00h (Table 8).



**Table 7. Port Configuration Register—PCON 00h/R0 Bank Fh: WRITE ONLY**

|   |    |    |    |    |    |    |    |    |
|---|----|----|----|----|----|----|----|----|
| Bit   | D7 | D6 | D5 | D4 | D3 | D2 | D1 | D0 |
| R/W   | W  | W  | W  | W  | W  | W  | W  | W  |
| Reset   | 1  | 1  | 1  | 1  | 1  | 1  | 1  | 0  |
| Note: R = Read, W = Write, X = Indeterminate. |    |    |    |    |    |    |    |    |

| Bit Position | Bit Field  | R/W | Reset State | Description   |
|--------------|------------|-----|-------------|---|
| D7           | Oscillator | W   | 1           | <b>Low-EMI Oscillator</b><br>0: Low EMI<br>1: Standard  |
| D6           | Port 3 I/O | W   | 1           | <b>Port 3</b><br>0: Low EMI<br>1: Standard  |
| D5           | Port 2 I/O | W   | 1           | <b>Port 2</b><br>0: Low EMI<br>1: Standard  |
| D4           | Reserved   | W   | 1           | <b>Reserved*</b><br>1: Must be "1"  |
| D3           | Port 0 I/O | W   | 1           | <b>Port 0*</b><br>0: Low EMI<br>1: Standard   |
| D2           | Port 0 I/O | W   | 1           | <b>Port 0</b><br>0: Open-Drain<br>1: Push-Pull Active   |
| D1           | Reserved   | W   | 1           | <b>Reserved*</b><br>1: Must be "1"  |
| D0           | Port 3     | W   | 0           | <b>Port 3 Comparator Output</b><br>0: P34, P37 Standard Output<br>1: P34, P37 Comparator Output |

**Comparator Output Port 3 (D0).** Bit 0 controls the comparator use in Port 3. A 1 in this location brings the comparator outputs to P34 and P37, and a 0 releases the Port to its standard I/O configuration. The default value is 0.

**Port 0 Open-Drain (D2).** Port 0 is configured as an open-drain by resetting this bit (D2 = 0) or configured as push-pull active by setting this bit (D2 = 1). The default value is 1.

**Low-EMI Port 0 (D3).** Port 0 is configured as a low-EMI port by resetting this bit (D3 = 0) or configured as a Standard Port by setting this bit (D3 = 1). The default value is 1.



**Low-EMI Port 2 (D5).** Port 2 is configured as a low-EMI port by resetting this bit (D5 = 0) or configured as a Standard Port by setting this bit (D5 = 1). The default value is 1.

**Low-EMI Port 3 (D6).** Port 3 is configured as a low-EMI port by resetting this bit (D6 = 0) or configured as a Standard Port by setting this bit (D6 = 1). The default value is 1.

**Low-EMI OSC (D7).** This bit of the PCON register controls the low-EMI noise oscillator. A 1 in this location configures the oscillator,  $\overline{DS}$ ,  $\overline{AS}$  and R/W with standard drive, while a 0 configures the oscillator,  $\overline{DS}$ ,  $\overline{AS}$  and R/W with low noise drive. LOW-EMI mode reduces the drive of the oscillator (OSC). The default value is 1.

► **Note:** Maximum external clock frequency of 4 MHz when running in LOW-EMI OSCILLATOR mode.

**Low-EMI Emission.** The Z8 is programmed to operate in a low-EMI emission mode in the PCON register. The oscillator and all I/O ports is programmed as LOW-EMI EMISSION mode independently. Use of this feature results in:

- The pre-drivers slew rate reduced to 10 ns (typical)
- Low-EMI output drivers exhibit resistance of 200Ω (typical)
- Low-EMI Oscillator
- Internal SCLK = X<sub>IN</sub> operation limited to a maximum of 4 MHz–250 ns cycle time, when LOW EMI OSCILLATOR is selected and system clock (SMR Register Bit D1 = 1)

**Stop-Mode Recovery Registers (SMR1 and SMR2).** These registers select the clock divide value and determine the mode of Stop-Mode Recovery (Tables 8 and 11). All bits are WRITE ONLY, except bit 7 of SMR1, which is READ ONLY. SMR1 bit 7 is a flag bit that is set by hardware on a Stop-Mode Recovery condition and reset by a power-on cycle. For SMR1, bit 6 controls whether a Low level or a High level is required from the recovery source. Bit 5 controls the reset delay after Stop-Mode Recovery. Bits 2, 3, and 4 of the SMR1 register specify the source of the Stop-Mode Recovery signal. Bits 0 and 1 determine the time-out period of the WDT. The SMR registers are located in Bank F of the Expanded Register File at addresses 0Bh and 0Dh, respectively.

For SMR2, bits 7 to 2 are reserved. Bits 1 and 0 of the SMR2 register specify the source of the Stop-Mode Recovery signal.

**Table 8. Stop-Mode Recovery Register 1—SMR1 0Bh/R11 Bank Fh: WRITE ONLY, except Bit D7, which is READ ONLY**

| Bit | D7 | D6 | D5 | D4 | D3 | D2 | D1 | D0 |
|-----|----|----|----|----|----|----|----|----|
| R/W | R  | W  | W  | W  | W  | W  | W  | W  |



**Table 8. Stop-Mode Recovery Register 1—SMR1 0Bh/R11 Bank Fh: WRITE ONLY, except Bit D7, which is READ ONLY**

|   |   |   |   |   |   |   |   |   |
|---|---|---|---|---|---|---|---|---|
| Reset   | 0 | 0 | 1 | 0 | 0 | 0 | 0 | 0 |
| Note: R = Read, W = Write, X = Indeterminate. |   |   |   |   |   |   |   |   |

| Bit Position | Bit Field | R/W | Reset State | Description  |
|--------------|-----------|-----|-------------|--|
| D7           | STP       | R   | 0           | <b>Stop Flag</b><br>0: POR<br>1: Stop-Mode Recovery  |
| D6           | SMR       | W   | 0           | <b>Stop-Mode Recovery Level</b><br>0: Low<br>1: High   |
| D5           | STPDLY    | W   | 1           | <b>Stop Delay</b><br>0: Off<br>1: On   |
| D4–D2        | SMRSRC    | W   | 000         | <b>Stop-Mode Recovery Source</b> <sup>1</sup><br>000: POR only and/or external RESET<br>001: P30<br>010: P31<br>011: P32<br>100: P33<br>101: P27<br>110: P2 NOR 0–3<br>111: P2 NOR 0–7 |
| D1           | EXTCLK    | W   | 0           | <b>External Clock Divide-by-2</b><br>0: SCLK & TCLK = XTAL ÷ 2<br>1: SCLK & TCLK = XTAL  |
| D0           | CLK       | W   | 0           | <b>SCLK &amp; TCLK Divide-by-16</b><br>0: Off <sup>2</sup><br>1: On  |

Notes:

1. Do not use in conjunction with SMR2 Source.
2. Cleared by RESET and SMR.

**SCLK & TCLK Divide-by-16 Select (D0).** Bit D0 of the SMR controls a divide-by-16 prescaler of SCLK & TCLK. The purpose of this control is to selectively reduce device power consumption during normal processor execution (SCLK control) and/or HALT mode (where TCLK sources counter/timers and interrupt logic). This bit is reset to D0 = 0 after a Stop-Mode Recovery.

**External Clock Divide-by-Two (D1).** This bit can eliminate the oscillator divide-by-two circuitry. When this bit is 0, the system clock (SCLK) and timer clock (TCLK) are equal to the external clock frequency divided by 2. The SCLK is equal to the external clock frequency when this bit is set ( $D1 = 1$ ). Using this bit together with D7 of PCON further helps lower EMI (that is,  $D7 (PCON) = 0, D1 (SMR) = 1$ ). The default setting is 0. Maximum external clock frequency is 4 MHz when SMR bit  $D1 = 1$  where  $SCLK \& TCLK = X_{IN}$ .

**Stop-Mode Recovery Source (D2, D3, and D4).** These three bits of the SMR specify the wake-up source of the Stop-Mode Recovery (Figure and Stop-Mode Recovery Source). When the Stop-Mode Recovery Sources are selected in this register, then SMR2 register bits D0,D1 must be set to 0.

► **Note:** If the Port 2 pin is configured as an output, this output level is read by the SMR circuitry.

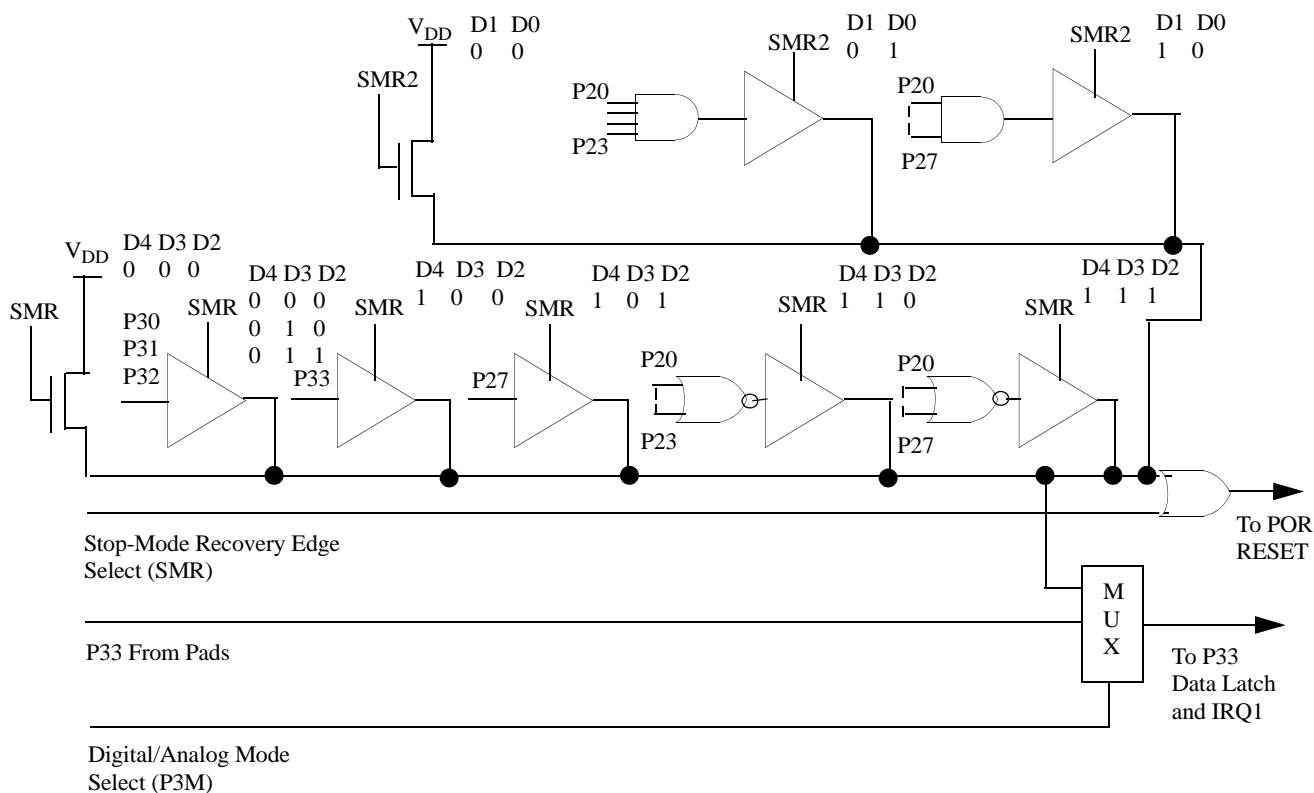


Figure 13. Stop-Mode Recovery Source



**Table 9. Stop-Mode Recovery Source**

| SMR[4–2] |    |    |                                     |
|----------|----|----|-------------------------------------|
| D4       | D3 | D2 | Operation/Description of Action     |
| 0        | 0  | 0  | POR and/or external reset recovery  |
| 0        | 0  | 1  | P30 transition                      |
| 0        | 1  | 0  | P31 transition (not in ANALOG mode) |
| 0        | 1  | 1  | P32 transition (not in ANALOG mode) |
| 1        | 0  | 0  | P33 transition (not in ANALOG mode) |
| 1        | 0  | 1  | P27 transition                      |
| 1        | 1  | 0  | Logical NOR of P20 through P23      |
| 1        | 1  | 1  | Logical NOR of P20 through P27      |

**Stop-Mode Recovery Delay Select (D5).** This bit, if High, enables the  $T_{POR}$   $\overline{\text{RESET}}$  delay after Stop-Mode Recovery. The default configuration of this bit is 1. If the *fast wake up* (no delay) is selected, the Stop-Mode Recovery source must be kept active for at least 5  $T_{pC}$ . The clock source must be RC/LC/external clock driven.

**Stop-Mode Recovery Edge Select (D6).** A 1 in this bit position indicates that a high level on any one of the recovery sources wakes the Z8 from STOP mode. A 0 indicates low-level recovery. The default is 0 on POR (Table 11). This bit is used for either SMR or SMR2.

**Cold or Warm Start (D7).** This bit is set by the device upon entering STOP mode. A 0 in this bit (cold) indicates that the device resets by POR/WDT RESET. A 1 in this bit (warm) indicates that the device awakens by a Stop-Mode Recovery source.

► **Note:** If the Port 2 pin is configured as an output, this output level is read by the SMR2 circuitry.

**Stop-Mode Recovery Register 2 (SMR2).** This register contains additional Stop-Mode Recovery sources. When the Stop-Mode Recovery sources are selected in this register then SMR register bits D2, D3, and D4 must be 0.

**Table 10. Stop-Mode Recovery Register 2**

| SMR1–0 |    |                                    |
|--------|----|------------------------------------|
| D1     | D0 | Operation/Description of Action    |
| 0      | 0  | POR and/or external reset recovery |





**Table 10. Stop-Mode Recovery Register 2**

| SMR1–0 |    |                                 |
|--------|----|---------------------------------|
| D1     | D0 | Operation/Description of Action |
| 0      | 1  | Logical AND of P20 through P23  |
| 1      | 0  | Logical AND of P20 through P27  |

**Table 11. Stop-Mode Recovery Register 2—SMR2 0Dh/R13 Bank Fh: WRITE ONLY**

| Bit   | D7 | D6 | D5 | D4 | D3 | D2 | D1 | D0 |
|-------|----|----|----|----|----|----|----|----|
| R/W   | W  | W  | W  | W  | W  | W  | W  | W  |
| Reset | X  | X  | X  | X  | X  | X  | 0  | 0  |

Note: R = Read, W = Write, X = Indeterminate.

| Bit/<br>Field | Bit<br>Position | R/W | Reset<br>State | Description  |
|---------------|-----------------|-----|----------------|--|
| D7–D2         | Reserved        | W   | X              | Reserved—must be 0   |
| D1–D0         | STOP Mode       | W   | 00             | <b>Stop-Mode Recovery Source 2*</b><br>00: POR only<br>01: AND P20, P21, P22, P23<br>10: AND P20, P21, P22, P23, P24, P25,<br>P26, P27<br>11: Reserved |

Note: \*Do not use in conjunction with SMR Source.

**Watch-Dog Timer Mode Register (WDTMR).** The WDT is a retriggerable one-shot timer that resets the Z8 if it reaches its terminal count. The WDT is initially enabled by executing the WDT instruction and refreshed on subsequent executions of the WDT instruction. The WDT circuit is driven by an onboard RC oscillator or external oscillator from the X<sub>IN</sub> pin. The POR clock source is selected with bit 4 of the WDT register (Table 15).

WDT instruction affects the Z (Zero), S (Sign), and V (Overflow) flags. The WDTMR must be written to within the first 60 internal system clocks. After that, the WDTMR is WRITE-protected.

- ▶ **Note:** WDT time-out while in STOP mode does not reset SMR, PCON, WDTMR, P2M, P3M, Ports 2 & 3 Data Registers, but the POR delay counter is still enabled even though the SMR stop delay is disabled.



**Table 12. Watch-Dog Timer Mode Register—WDTMR 0Fh/R15: WRITE ONLY**

|   |    |    |    |    |    |    |    |    |
|---|----|----|----|----|----|----|----|----|
| Bit   | D7 | D6 | D5 | D4 | D3 | D2 | D1 | D0 |
| R/W   | W  | W  | W  | W  | W  | W  | W  | W  |
| Reset   | X  | X  | X  | 0  | 1  | 1  | 0  | 1  |
| Note: R = Read, W = Write, X = Indeterminate. |    |    |    |    |    |    |    |    |

| Bit/<br>Field | Bit<br>Position | R/W | Reset<br>State | Description   |
|---------------|-----------------|-----|----------------|---|
| D7–D5         | Reserved        | W   | X              | Reserved—must be 0  |
| D4            | X <sub>IN</sub> | W   | 0              | <b>XIN/INT RC Select for WDT</b><br>0: On-Board RC<br>1: X <sub>IN</sub>  |
| D3            | WDT             | W   | 1              | WDT During STOP   |
| D2            | WDT             | W   | 1              | WDT During HALT   |
| D1–D0         | WDT Tap         | W   | 01             | <b>WDT Tap Int RC OSC System Clock</b><br>00: 3.5 ms 128 SCLK<br>01: 7.0 ms 256 SCLK<br>10: 14.0 ms 512 SCLK<br>11: 56.0 ms 2048 SCLK |

Note: Not used in conjunction with SMR Source.

**WDT Time Select (D0,D1).** Selects the WDT time period and is configured as indicated in Table 14.

**Table 13. WDT Time Select**

| D1 | D0 | Timeout of Internal RC OSC | Timeout of System Clock |
|----|----|----------------------------|-------------------------|
| 0  | 0  | 3.5 ms min                 | 128 SCLK                |
| 0  | 1  | 7 ms min                   | 256 SCLK                |
| 1  | 0  | 14 ms min                  | 512 SCLK                |
| 1  | 1  | 56 ms min                  | 2048 SCLK               |

Note: SCLK = system bus clock cycle. The default on RESET is 7 ms. Values provided are for V<sub>CC</sub> = 5.0V.

**WDTMR During HALT (D2).** This bit determines whether or not the WDT is active during HALT mode. A 1 indicates active during HALT. The default is 1.



**WDTMR During STOP (D3).** This bit determines whether or not the WDT is active during STOP mode. Because the  $X_{IN}$  clock is stopped during STOP mode, the on-board RC must be selected as the clock source to the POR counter. A 1 indicates active during STOP. The default is 1.

- ▶ **Note:** If the permanent WDT programming option is selected, the WDT runs in all modes and cannot be stopped or disabled if the on-board RC oscillator is selected as the clock source for WDT.

**Clock Source for WDT (D4).** This bit determines which oscillator source is used to clock the internal POR and WDT counter chain. If the bit is a 1, the internal RC oscillator is bypassed and the POR and WDT clock source is driven from the external pin,  $X_{IN}$ . The default configuration of this bit is 0 which selects the internal RC oscillator.

**WDTMR Register Accessibility.** The WDTMR register is accessible only during the first 64 internal system clock cycles from the execution of the first instruction after Power-On Reset, Watch-Dog Reset, or Stop-Mode Recovery. After this point, the register cannot be modified by any means, intentional or otherwise. The WDTMR cannot be read and is located in Bank  $F_h$  of the Expanded Register File at address location  $0F_h$  (Figure 14).

- ▶ **Note:** The WDT is permanently enabled (automatically enabled after RESET) through a programmable option. The option is selected when the device is programmed. In this mode, WDT is always activated when the device comes out of RESET. Execution of the WDT instruction serves to refresh the WDT time-out period. WDT operation in the HALT and STOP modes is controlled by WDTMR programming. If this option is not selected when the device is programmed, the WDT must be activated by the user through the WDT instruction and is always disabled by any reset to the device.

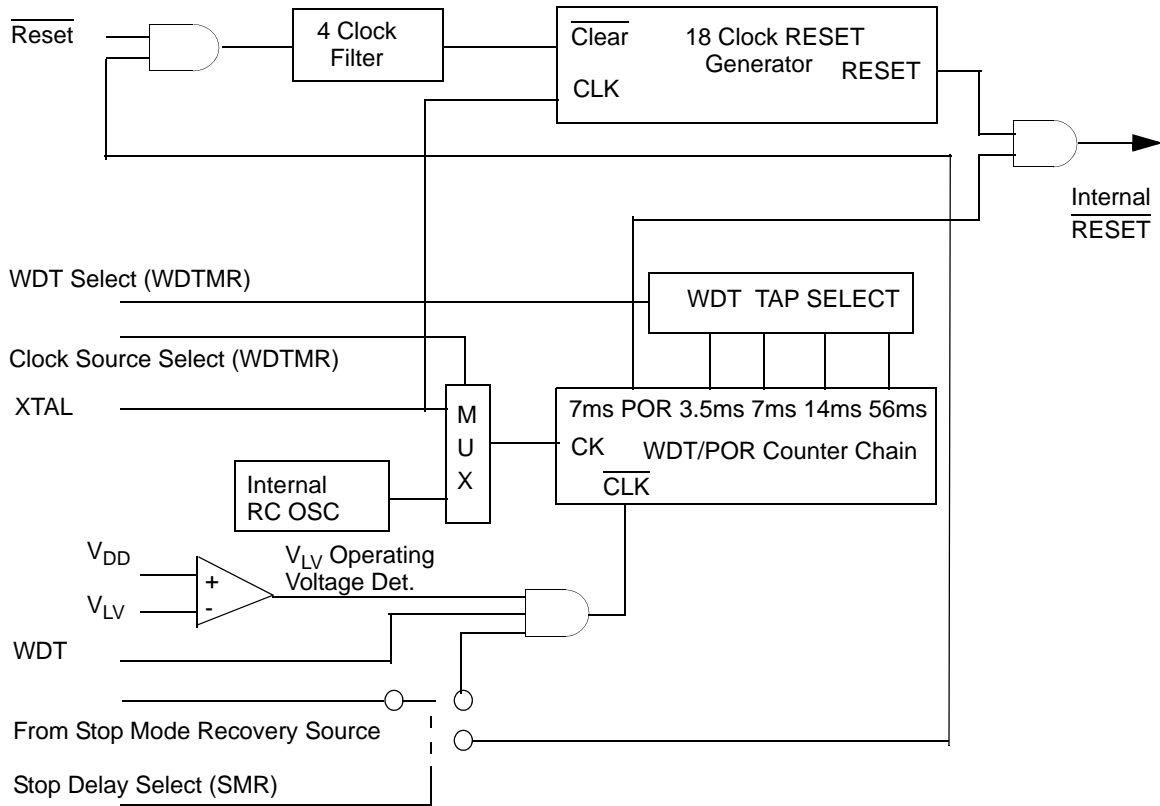


Figure 14. Resets and Watch-Dog Timer Example

### Voltage Comparator

**Low-Voltage Protection.** An onboard Voltage Comparator checks that  $V_{CC}$  is at the required level to ensure correct operation of the device. RESET is globally driven if  $V_{CC}$  is below the specified voltage (Low-Voltage Protection). The minimum operating voltage varies with the temperature and operating frequency, while the Low-Voltage Protection ( $V_{LV}$ ) varies with temperature only.

The Low-Voltage Protection trip voltage ( $V_{LV}$ ) is less than 3V and more than 1.4V under the following conditions.

At 25°C, the device functions normally at or above 3.0V. Below 3.0V, the device functions normally until the Low-Voltage Protection trip point ( $V_{LV}$ ) is reached for the temperatures and operating frequencies in Table 15. The device is guaranteed to function normally at supply voltages above the Low-Voltage Protection trip

point. The actual Low-Voltage Protection trip point is a function of temperature and process parameters (Figure 15).

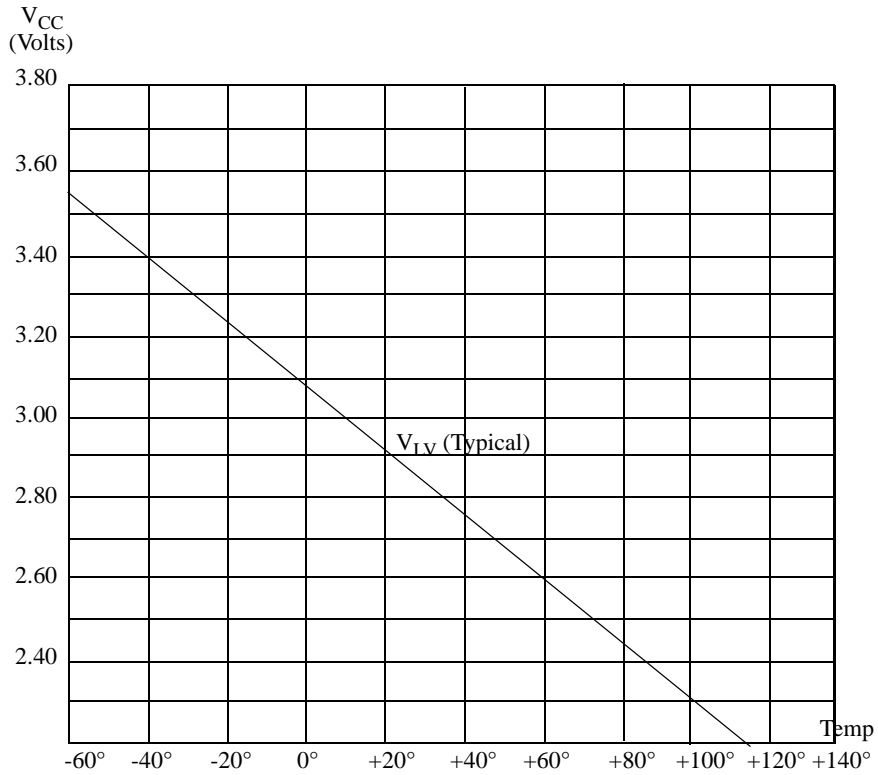


Figure 15. Typical Low-Voltage Protection vs. Temperature

Table 14. Maximum (V<sub>LV</sub>) Conditions:

---

Internal Clock Frequency equal or less than 4 MHz

---

► **Note:** The internal clock frequency relationship to the CRYSTAL clock is dependent on SMR Bit 0 1 setting.



## Control Registers

The Z87C33 offers 2 banks of registers, as detailed in the following pages.

### Expanded Register File, Bank 0h

Bank 0h of the Expanded Register File contains 15 Control registers that perform the Timer, Prescaler, Port, Interrupt, Flag, and Pointer functions, as shown in Tables 16 through 30. Table 15 lists the reset states of all 15 Bank 0h Control registers.

**Table 15. Expanded Register File Registers—Reset States**

|     |          | D7 | D6 | D5 | D4 | D3 | D2 | D1 | D0 |
|-----|----------|----|----|----|----|----|----|----|----|
| F0h | Reserved |    |    |    |    |    |    |    |    |
| F1h | TMR      | 0  | 0  | 0  | 0  | 0  | 0  | 0  | 0  |
| F2h | T1       | X  | X  | X  | X  | X  | X  | X  | X  |
| F3h | PRE1     | X  | X  | X  | X  | X  | X  | 0  | 0  |
| F4h | T0       | X  | X  | X  | X  | X  | X  | X  | X  |
| F5h | PRE0     | X  | X  | X  | X  | X  | X  | X  | 0  |
| F6h | P2M*     | 1  | 1  | 1  | 1  | 1  | 1  | 1  | 1  |
| F7h | P3M*     | 0  | 0  | 0  | 0  | 0  | 0  | 0  | 0  |
| F8h | P01M     | 0  | 1  | 0  | 0  | 1  | 1  | 0  | 1  |
| F9h | IPR      | X  | X  | X  | X  | X  | X  | X  | X  |
| FAh | IRQ      | 0  | 0  | 0  | 0  | 0  | 0  | 0  | 0  |
| FBh | IMR      | 0  | X  | X  | X  | X  | X  | X  | X  |
| FCh | FLAGS    | X  | X  | X  | X  | X  | X  | X  | X  |
| FDh | RP       | 0  | 0  | 0  | 0  | 0  | 0  | 0  | 0  |
| FEh | SPH      | 0  | 0  | 0  | 0  | 0  | 0  | 0  | 0  |
| FFh | SPL      | 0  | 0  | 0  | 0  | 0  | 0  | 0  | 0  |

Note: \*Not reset with a Stop-Mode Recovery.

### Timer Mode Register

The Timer Mode Register, TMR, controls timing and counter functions. READ/ WRITE and reset states for bits D7–D0 are listed in Table 16.



**Table 16. Timer Mode Register—TMR F1h/R241 Bank 0h: READ/WRITE**

|             |     |     |     |     |     |     |     |     |
|-------------|-----|-----|-----|-----|-----|-----|-----|-----|
| Bit         | D7  | D6  | D5  | D4  | D3  | D2  | D1  | D0  |
| R/W         | R/W | R/W | R/W | R/W | R/W | R/W | R/W | R/W |
| Reset State | 0   | 0   | 0   | 0   | 0   | 0   | 0   | 0   |

Note: R = Read, W = Write.

| Bit Position | Bit Field             | R/W | Reset State | Description   |
|--------------|-----------------------|-----|-------------|---|
| D7–D6        | T <sub>OUT</sub> Mode | R/W | 00          | <b>T<sub>OUT</sub> Mode</b><br>00: Off<br>01: T0 Output<br>10: T1 Output<br>11: Internal Clock Output   |
| D5–D4        | T <sub>IN</sub> Mode  | R/W | 00          | <b>T<sub>IN</sub> Mode</b><br>00: External Clock Input<br>01: Gate Input<br>10: Trigger Input (nonretriggerable)<br>11: Trigger Input (retriggerable) |
| D3           | T1 Count              | R/W | 0           | <b>T1 Count</b><br>0: Disable<br>1: Enable  |
| D2           | T1                    | R/W | 0           | <b>T1</b><br>0: No Function<br>1: Load T1   |
| D1           | T0 Count              | R/W | 0           | <b>T0 Count</b><br>0: Disable<br>1: Enable  |
| D0           | T0                    | R/W | 0           | <b>T0</b><br>0: No Function<br>1: Load T0   |

**Counter/Timer 1 Register**

The Counter/Timer 1 Register, T1, controls timing and counter functions. READ/WRITE and reset states for bits D7–D0 are listed in Table 17.

**Table 17. Counter/Timer 1 Register—T1 F2h/R242 Bank 0h: READ/WRITE**

|     |     |     |     |     |     |     |     |     |
|-----|-----|-----|-----|-----|-----|-----|-----|-----|
| Bit | D7  | D6  | D5  | D4  | D3  | D2  | D1  | D0  |
| R/W | R/W | R/W | R/W | R/W | R/W | R/W | R/W | R/W |



**Table 17. Counter/Timer 1 Register—T1 F2h/R242 Bank 0h: READ/WRITE**

|   |   |   |   |   |   |   |   |   |
|---|---|---|---|---|---|---|---|---|
| Reset State                                   | X | X | X | X | X | X | X | X |
| Note: R = Read, W = Write, X = Indeterminate. |   |   |   |   |   |   |   |   |

| Bit Position | Bit Field | R/W | Reset State | Description   |
|--------------|-----------|-----|-------------|---|
| D7–D0        | T1        | R   | X           | T1 Current Value  |
|              |           | W   | X           | T1 Automatic Reload Value<br>Range = 1–256 decimal; 01h–00h |

### Prescaler 1 Register

The Prescaler 1 Register, PRE1, controls clocking functions. READ/WRITE and reset states for bits D7–D0 are listed in Table 18.

**Table 18. Prescaler 1 Register—PRE1 F3h/R243 Bank 0h: WRITE ONLY**

|                                     |    |    |    |    |    |    |    |    |
|-------------------------------------|----|----|----|----|----|----|----|----|
| Bit                                 | D7 | D6 | D5 | D4 | D3 | D2 | D1 | D0 |
| R/W                                 | W  | W  | W  | W  | W  | W  | W  | W  |
| Reset State                         | X  | X  | X  | X  | X  | X  | 0  | 0  |
| Note: W = Write, X = Indeterminate. |    |    |    |    |    |    |    |    |

| Bit Position | Bit Field | R/W | Reset State | Description  |
|--------------|-----------|-----|-------------|--|
| D7–D2        | Prescaler | W   | X           | <b>Prescaler Modulo</b><br>Range = 1–64 decimal; 01h–00h                                     |
| D1           | Clock     | W   | 0           | <b>Clock Source</b><br>0: T1 External Timing Input (T <sub>IN</sub> ) Mode<br>1: T1 Internal |
| D0           | Count     | W   | 0           | <b>Count Mode</b><br>0: T1 Single Pass<br>1: T1 Modulo N                                     |

### Counter/Timer 0 Register

The Counter/Timer 0 Register, T0, controls timing and counter functions. READ/WRITE and reset states for bits D7–D0 are listed in Table 19.





**Table 19. Counter/Timer 0 Register—T0 F4h/R244 Bank 0h: READ/WRITE**

|   |     |     |     |     |     |     |     |     |
|---|-----|-----|-----|-----|-----|-----|-----|-----|
| Bit   | D7  | D6  | D5  | D4  | D3  | D2  | D1  | D0  |
| R/W   | R/W | R/W | R/W | R/W | R/W | R/W | R/W | R/W |
| Reset State                                   | X   | X   | X   | X   | X   | X   | X   | X   |
| Note: R = Read, W = Write, X = Indeterminate. |     |     |     |     |     |     |     |     |

| Bit Position | Bit Field | R/W | Reset State | Description   |
|--------------|-----------|-----|-------------|---|
| D7–D0        | T0        | R   | X           | T0 Current Value  |
|              |           | W   | X           | T0 automatic Reload Value<br>Range = 1–256 decimal; 01h - 00h |

**Prescaler 0 Register**

The Prescaler 0 Register PRE0 controls clocking functions. WRITE and reset states for bits D7–D0 are listed in Table 20.

**Table 20. Prescaler 0 Register—PRE0 F5h/R245 Bank 0h: WRITE ONLY**

|                                     |    |    |    |    |    |    |    |    |
|-------------------------------------|----|----|----|----|----|----|----|----|
| Bit                                 | D7 | D6 | D5 | D4 | D3 | D2 | D1 | D0 |
| R/W                                 | W  | W  | W  | W  | W  | W  | W  | W  |
| Reset State                         | X  | X  | X  | X  | X  | X  | X  | 0  |
| Note: W = Write, X = Indeterminate. |    |    |    |    |    |    |    |    |

| Bit Position | Bit Field | R/W | Reset State | Description  |
|--------------|-----------|-----|-------------|--|
| D7–D2        | Prescaler | W   | X           | <b>Prescaler Modulo</b><br>Range = 1–64 decimal; 01h–00h |
| D1           | Reserved  | W   | X           | Reserved—must be 0                                       |
| D0           | Count     | W   | 0           | <b>Count Mode</b><br>0: T0 Single Pass<br>1: T0 Modulo N |



### Port 2 Mode Register

The Port 2 Mode Register, P2M, controls Port 2 I/O functions. WRITE and reset states for bits D7–D0 are listed in Table 21.

**Table 21. Port 2 Mode Register—P2M F6h/R246 Bank 0h: WRITE ONLY**

|                  |    |    |    |    |    |    |    |    |
|------------------|----|----|----|----|----|----|----|----|
| Bit              | D7 | D6 | D5 | D4 | D3 | D2 | D1 | D0 |
| R/W              | W  | W  | W  | W  | W  | W  | W  | W  |
| Reset State      | 1  | 1  | 1  | 1  | 1  | 1  | 1  | 1  |
| Note: W = Write. |    |    |    |    |    |    |    |    |

| Bit Position | Bit Field | R/W | Reset State | Description  |
|--------------|-----------|-----|-------------|--|
| D7–D0        | P20–P27   | W   | 1           | <b>P20–P27 I/O Definition</b><br>0: Defines bit as Output<br>1: Defines bit as Input |

### Port 3 Mode Register

The Port 3 Mode Register P3M controls Port 3 I/O functions. WRITE and reset states for bits D7–D0 are listed in Table 22.

**Table 22. Port 3 Mode Register—P3M F7h/R247 Bank 0h: WRITE ONLY**

|                  |    |    |    |    |    |    |    |    |
|------------------|----|----|----|----|----|----|----|----|
| Bit              | D7 | D6 | D5 | D4 | D3 | D2 | D1 | D0 |
| R/W              | W  | W  | W  | W  | W  | W  | W  | W  |
| Reset State      | 0  | 0  | 0  | 0  | 0  | 0  | 0  | 0  |
| Note: W = Write. |    |    |    |    |    |    |    |    |

| Bit Position | Bit Field | R/W | Reset State | Description  |
|--------------|-----------|-----|-------------|--|
| D7–D2        | Reserved  | W   | 00          | Reserved—must be 00  |
| D1           | Port 3    | W   | 0           | <b>Port 3</b><br>0: P31, P32 DIGITAL mode<br>1: P31, P32 ANALOG mode |
| D0           | Port 2    | W   | 0           | <b>Port 2</b><br>0: Open-Drain<br>1: Push-Pull                       |



### Ports 0 and 1 Mode Register

The Ports 0 and 1 Mode Register, P01M, controls port and timing functions for Ports 0 and 1. WRITE and reset states for bits D7–D0 are listed in Table 23.

**Table 23. Ports 0 and 1 Mode Register—P01M F8h/R248 Bank 0h: WRITE ONLY**

|                  |    |    |    |    |    |    |    |    |
|------------------|----|----|----|----|----|----|----|----|
| Bit              | D7 | D6 | D5 | D4 | D3 | D2 | D1 | D0 |
| R/W              | W  | W  | W  | W  | W  | W  | W  | W  |
| Reset State      | 0  | 1  | 0  | 0  | 1  | 1  | 0  | 1  |
| Note: W = Write. |    |    |    |    |    |    |    |    |

| Bit Position | Bit Field | R/W | Reset State | Description  |
|--------------|-----------|-----|-------------|--|
| D7           | Reserved  | W   | 0           | Reserved - Must be 0                                     |
| D6           | P04–P07   | W   | 01          | <b>P04–P07 Mode*</b><br>0: Output<br>1: Input            |
| D5           | Reserved  | W   | 0           | <b>External Memory Timing</b><br>Reserved - Must be 0    |
| D4–D3        | Reserved  | W   | 01          | <b>P10–P17 Mode*</b><br>00: Reserved - Must be 0         |
| D2           | Stack     | W   | 1           | <b>Stack Selection*</b><br>0: Reserved<br>1: Must be "1" |
| D1           | Reserved  | W   | 0           | Reserved - Must be 0                                     |
| D0           | P00–P03   | W   | 1           | <b>P00–P03 Mode*</b><br>0: Output<br>1: Input            |

### Interrupt Priority Register

The Interrupt Priority Register, IPR, prioritizes interrupt functions. WRITE and reset states for bits D7–D0 are listed in Table 24.

**Table 24. Interrupt Priority Register—IPR F9h/R249 Bank 0h: WRITE ONLY**

|                                     |    |    |    |    |    |    |    |    |
|-------------------------------------|----|----|----|----|----|----|----|----|
| Bit                                 | D7 | D6 | D5 | D4 | D3 | D2 | D1 | D0 |
| R/W                                 | W  | W  | W  | W  | W  | W  | W  | W  |
| Reset State                         | X  | X  | X  | X  | X  | X  | X  | X  |
| Note: W = Write, X = Indeterminate. |    |    |    |    |    |    |    |    |



| Bit Position | Bit Field  | R/W | Reset State | Description   |
|--------------|------------|-----|-------------|---|
| D7–D6        | Reserved   | W   | XX          | Reserved—must be 0  |
| D5           | IRQ3, IRQ5 | W   | X           | <b>IRQ3, IRQ5 Priority (Group A)</b><br>0: IRQ5 > IRQ3<br>1: IRQ3 > IRQ5  |
| D4,D3,D0     | Interrupt  | W   | XXX         | <b>Interrupt Group Priority</b><br>000: Reserved<br>001: C > A > B<br>010: A > B > C<br>011: A > C > B<br>100: B > C > A<br>101: C > B > A<br>110: B > A > C<br>111: Reserved |
| D2           | IRQ0, IRQ2 | W   | X           | <b>IRQ0, IRQ2 Priority (Group B)</b><br>0: IRQ2 > IRQ0<br>1: IRQ0 > IRQ2  |
| D1           | IRQ1, IRQ4 | W   | X           | <b>IRQ1, IRQ4 Priority (Group C)</b><br>0: IRQ1 > IRQ4<br>1: IRQ4 > IRQ1  |

### Interrupt Request Register

The Interrupt Request Register, IRQ, controls interrupt functions. READ/WRITE and reset states for bits D7–D0 are listed in Table 25.

**Table 25. Interrupt Request Register—IRQ FAh/R250 Bank 0h: READ/WRITE**

| Bit   | D7  | D6  | D5  | D4  | D3  | D2  | D1  | D0  |
|-------|-----|-----|-----|-----|-----|-----|-----|-----|
| R/W   | R/W | R/W | R/W | R/W | R/W | R/W | R/W | R/W |
| Reset | 0   | 0   | 0   | 0   | 0   | 0   | 0   | 0   |

Note: R = Read, W = Write.

| Bit Position | Bit Field      | R/W | Reset State | Description   |
|--------------|----------------|-----|-------------|---|
| D7–D6        | Interrupt Edge | R/W | 00          | <b>Interrupt Edge</b><br>00: P31 ↓ P32 ↓<br>01: P31 ↓ P32 ↑<br>10: P31 ↑ P32 ↓<br>11: P31 ↑↓ P32 ↑↓ |
| D5           | IRQ5           | R/W | 0           | <b>Interrupt</b><br>IRQ5 = T1<br>0: No Interrupt pending<br>1: Interrupt pending                    |
| D4           | IRQ4           | R/W | 0           | <b>Interrupt</b><br>IRQ4 = T0<br>0: No Interrupt pending<br>1: Interrupt pending                    |
| D3           | IRQ3           | R/W | 0           | <b>Interrupt</b><br>IRQ3 = P30 Input<br>0: No Interrupt pending<br>1: Interrupt pending             |
| D2           | IRQ2           | R/W | 0           | <b>Interrupt</b><br>IRQ2 = P31 Input<br>0: No Interrupt pending<br>1: Interrupt pending             |
| D1           | IRQ1           | R/W | 0           | <b>Interrupt</b><br>IRQ1 = P33 Input<br>0: No Interrupt pending<br>1: Interrupt pending             |
| D0           | IRQ0           | R/W | 0           | <b>Interrupt</b><br>IRQ0 = P32 Input<br>0: No Interrupt pending<br>1: Interrupt pending             |

### Interrupt Mask Register

The Interrupt Mask Register, IMR, controls interrupt functions. READ/WRITE and reset states for bits D7–D0 are listed in Table 26.

**Table 26. Interrupt Mask Register—IMR FBh/R251 Bank 0h: READ/WRITE**

| Bit | D7  | D6  | D5  | D4  | D3  | D2  | D1  | D0  |
|-----|-----|-----|-----|-----|-----|-----|-----|-----|
| R/W | R/W | R/W | R/W | R/W | R/W | R/W | R/W | R/W |



**Table 26. Interrupt Mask Register—IMR FBh/R251 Bank 0h: READ/WRITE**

|   |   |   |   |   |   |   |   |   |
|---|---|---|---|---|---|---|---|---|
| Reset   | 0 | X | X | X | X | X | X | X |
| Note: R = Read, W = Write, X = Indeterminate. |   |   |   |   |   |   |   |   |

| Bit Position | Bit Field   | R/W | Reset State | Description   |
|--------------|-------------|-----|-------------|---|
| D7           | MIE         | R/W | 0           | <b>Master Interrupt Enable</b><br>1: Enable interrupts<br>0: Disable interrupts |
| D6           | RAM Protect | R/W | X           | <b>RAM Protect</b><br>1: Enable RAM Protect*<br>0: Disable RAM Protect          |
| D5–D0        | IRQ5–IRQ0   | R/W | X           | <b>Interrupt Request</b><br>1: Enable IRQ0–IRQ5<br>0: Disable IRQ0–IRQ5         |

Note: \* Must select RAM Protect Mask Option

### Flags Register

The CPU sets flags in the Flags Register, FLAGS, to allow the user to perform tests based on differing logical states. READ/WRITE and reset states for bits D7–D0 are listed in Table 27.

**Table 27. Flags Register—FLAGS FCh/R252 Bank 0h: READ/WRITE**

|   |     |     |     |     |     |     |     |     |
|---|-----|-----|-----|-----|-----|-----|-----|-----|
| Bit   | D7  | D6  | D5  | D4  | D3  | D2  | D1  | D0  |
| R/W   | R/W | R/W | R/W | R/W | R/W | R/W | R/W | R/W |
| Reset   | X   | X   | X   | X   | X   | X   | X   | X   |
| Note: R = Read, W = Write, X = Indeterminate. |     |     |     |     |     |     |     |     |

| Bit Position | Bit Field      | R/W | Reset State | Description         |
|--------------|----------------|-----|-------------|---------------------|
| D7           | Carry          | R/W | X           | Carry Flag          |
| D6           | Zero           | R/W | X           | Zero Flag           |
| D5           | Sign           | R/W | X           | Sign Flag           |
| D4           | Overflow       | R/W | X           | Overflow Flag       |
| D3           | Decimal Adjust | R/W | X           | Decimal Adjust Flag |
| D2           | Half Carry     | R/W | X           | Half Carry Flag     |

Note: \*Not affected by  $\overline{\text{RESET}}$ .



| Bit Position | Bit Field | R/W | Reset State | Description   |
|--------------|-----------|-----|-------------|---------------|
| D1           | User      | R/W | X           | User Flag F2* |
| D0           | User      | R/W | X           | User Flag F1* |

Note: \*Not affected by RESET.

### Register Pointer Register

The Register Pointer Register, RP, controls pointer functions in the working registers. READ/WRITE and reset states for bits D7–D0 are listed in Table 28.

**Table 28. Register Pointer—RP FDh/R253 Bank 0h: READ/WRITE**

| Bit   | D7  | D6  | D5  | D4  | D3  | D2  | D1  | D0  |
|-------|-----|-----|-----|-----|-----|-----|-----|-----|
| R/W   | R/W | R/W | R/W | R/W | R/W | R/W | R/W | R/W |
| Reset | 0   | 0   | 0   | 0   | 0   | 0   | 0   | 0   |

Note: R = Read, W = Write.

| Bit Position | Bit Field                   | R/W | Reset State | Description                 |
|--------------|-----------------------------|-----|-------------|-----------------------------|
| D7–D4        | Working Register Pointer    | R/W | 0           | Working Register Pointer    |
| D3–D0        | Expanded Register File Bank | R/W | 0           | Expanded Register File Bank |

### General Purpose Register

The General Purpose Register (GPR) READ/WRITE and reset states for bits D7–D0 are listed in Table 29.

**Table 29. General Purpose—GPR FEh/R254 Bank 0h: READ/WRITE**

| Bit   | D7  | D6  | D5  | D4  | D3  | D2  | D1  | D0  |
|-------|-----|-----|-----|-----|-----|-----|-----|-----|
| R/W   | R/W | R/W | R/W | R/W | R/W | R/W | R/W | R/W |
| Reset | 0   | 0   | 0   | 0   | 0   | 0   | 0   | 0   |

Note: R = Read, W = Write.



| Bit Position | Bit Field | R/W | Reset State | Description                      |
|--------------|-----------|-----|-------------|----------------------------------|
| D7–D0        | GPR       | R/W | 0           | General Purpose Register (D7-D0) |

### Stack Pointer Low Register

The Stack Pointer Low Register, SPL, controls pointer functions in the lower byte. READ/WRITE and reset states for bits D7–D0 are listed in Table 30.

**Table 30. Stack Pointer Low—SPL FFh/R255 Bank 0h: READ/WRITE**

| Bit   | D7  | D6  | D5  | D4  | D3  | D2  | D1  | D0  |
|-------|-----|-----|-----|-----|-----|-----|-----|-----|
| R/W   | R/W | R/W | R/W | R/W | R/W | R/W | R/W | R/W |
| Reset | 0   | 0   | 0   | 0   | 0   | 0   | 0   | 0   |

Note: R = Read, W = Write.

| Bit Position | Bit Field | R/W | Reset State | Description                        |
|--------------|-----------|-----|-------------|------------------------------------|
| D7–D0        | SPL       | R/W | 0           | Stack Pointer Lower Byte (SP7–SP0) |

### Expanded Register File, Bank Fh

Expanded Register File Bank F<sub>h</sub> contains 4 registers that perform the Port Configuration, Stop-Mode Recovery, and Watch-Dog Timer Mode functions, as shown in Tables 31 through 35. These 4 registers are not reset by a Stop-Mode Recovery. Table 31 lists the reset states of all 4 Bank F<sub>h</sub> registers.

**Table 31. Expanded Register File Registers—Reset States**

|     |          | D7 | D6 | D5 | D4 | D3 | D2 | D1 | D0 |
|-----|----------|----|----|----|----|----|----|----|----|
| 00h | PCON*    | 1  | 1  | 1  | 1  | 1  | 1  | 1  | 0  |
| 01h | Reserved |    |    |    |    |    |    |    |    |
| 02h | Reserved |    |    |    |    |    |    |    |    |
| 03h | Reserved |    |    |    |    |    |    |    |    |
| 04h | Reserved |    |    |    |    |    |    |    |    |
| 05h | Reserved |    |    |    |    |    |    |    |    |
| 06h | Reserved |    |    |    |    |    |    |    |    |

Note: \*Not reset with a Stop-Mode Recovery.

Note: \*\*Not reset with a Stop-Mode Recovery except Bit D7.





**Table 31. Expanded Register File Registers—Reset States (Continued)**

|     |          | D7 | D6 | D5 | D4 | D3 | D2 | D1 | D0 |
|-----|----------|----|----|----|----|----|----|----|----|
| 07h | Reserved |    |    |    |    |    |    |    |    |
| 08h | Reserved |    |    |    |    |    |    |    |    |
| 09h | Reserved |    |    |    |    |    |    |    |    |
| 0Ah | Reserved |    |    |    |    |    |    |    |    |
| 0Bh | SMR**    | 0  | 0  | 1  | 0  | 0  | 0  | 0  | 0  |
| 0Ch | Reserved |    |    |    |    |    |    |    |    |
| 0Dh | SMR2*    | X  | X  | X  | X  | X  | X  | 0  | 0  |
| 0Eh | Reserved |    |    |    |    |    |    |    |    |
| 0Fh | WDTMR*   | X  | X  | X  | 0  | 1  | 1  | 0  | 1  |

Note: \*Not reset with a Stop-Mode Recovery.

Note: \*\*Not reset with a Stop-Mode Recovery except Bit D7.

### Port Configuration Register

The Port Configuration Register, PCON, controls the configurations of Ports 0, 2, and 3. WRITE and reset states for bits D7–D0 are listed in Table 32.

**Table 32. Port Configuration Register—PCON 00h/R0 Bank Fh: WRITE ONLY**

| Bit   | D7 | D6 | D5 | D4 | D3 | D2 | D1 | D0 |
|-------|----|----|----|----|----|----|----|----|
| R/W   | W  | W  | W  | W  | W  | W  | W  | W  |
| Reset | 1  | 1  | 1  | 1  | 1  | 1  | 1  | 0  |

Note: W = Write.

| Bit Position | Bit Field  | R/W | Reset State | Description  |
|--------------|------------|-----|-------------|--|
| D7           | Oscillator | W   | 1           | <b>Low-EMI Oscillator</b><br>0: Low EMI<br>1: Standard |
| D6           | Port 3 I/O | W   | 1           | <b>Port 3</b><br>0: Low EMI<br>1: Standard             |
| D5           | Port 2 I/O | W   | 1           | <b>Port 2</b><br>0: Low EMI<br>1: Standard             |

| Bit Position | Bit Field  | R/W | Reset State | Description   |
|--------------|------------|-----|-------------|---|
| D4           | Reserved   | W   | 1           | <b>Reserved</b><br>1: Reserved must be "1"  |
| D3           | Port 0 I/O | W   | 1           | <b>Port 0†</b><br>0: Low EMI<br>1: Standard   |
| D2           | Port 0 I/O | W   | 1           | <b>Port 0</b><br>0: Open-Drain<br>1: Push-Pull Active   |
| D1           | Reserved   | W   | 1           | <b>Reserved</b><br>1: Reserved must be "1"  |
| D0           | Port 3     | W   | 0           | <b>Port 3 Comparator Output</b><br>0: P34, P37 Standard Output<br>1: P34, P37 Comparator Output |

### Stop-Mode Recovery Register

The Stop-Mode Recovery Register, SMR, controls clocking functions. READ/ WRITE and reset states for bits D7–D0 are listed in Table 33.

**Table 33. Stop-Mode Recovery Register—SMR 0Bh/R11 Bank Fh:READ/WRITE**

| Bit   | D7 | D6 | D5 | D4 | D3 | D2 | D1 | D0 |
|-------|----|----|----|----|----|----|----|----|
| R/W   | R  | W  | W  | W  | W  | W  | W  | W  |
| Reset | 0  | 0  | 1  | 0  | 0  | 0  | 0  | 0  |

Note: R = Read, W = Write.

| Bit Position | Bit Field          | R/W | Reset State | Description  |
|--------------|--------------------|-----|-------------|--|
| D7           | Stop               | R   | 0           | <b>Stop Flag<sup>3</sup></b><br>0: POR<br>1: Stop Recovery |
| D6           | Stop-Mode Recovery | W   | 0           | <b>Stop-Mode Recovery Level</b><br>0: Low<br>1: High       |

Notes:

1. For the Stop-Mode Recovery Source, either SMR or SMR2 can be selected. If SMR is used to select the Stop-Mode Recovery Source, bits D1–D0 of SMR2 must be 0.
2. Cleared by RESET and SMR.
3. Not reset after Stop-Mode Recovery.



| Bit Position | Bit Field  | R/W | Reset State | Description   |
|--------------|------------|-----|-------------|---|
| D5           | Stop Delay | W   | 1           | <b>Stop Delay</b><br>0: Off<br>1: On  |
| D4–D2        | Stop Mode  | W   | 000         | <b>Stop-Mode Recovery Source<sup>2</sup></b><br>000: POR only and/or external $\overline{\text{RESET}}$<br>001: P30<br>010: P31<br>011: P32<br>100: P33<br>101: P27<br>110: P2 NOR 0–3<br>111: P2 NOR 0–7 |
| D1           | Clock      | W   | 0           | <b>External Clock Divide-by-2</b><br>0: $\text{SCLK} \ \&\text{TCLK} = X_{\text{IN}} \div 2$<br>1: $\text{SCLK} \ \&\text{TCLK} = X_{\text{IN}}$  |
| D0           | SCLK/TCLK  | W   | 0           | <b>SCLK/TCLK Divide-by-16</b><br>0: Off<br>1: On  |

Notes:

1. For the Stop-Mode Recovery Source, either SMR or SMR2 can be selected. If SMR is used to select the Stop-Mode Recovery Source, bits D1–D0 of SMR2 must be 0.
2. Cleared by  $\overline{\text{RESET}}$  and SMR.
3. Not reset after Stop-Mode Recovery.



### Stop-Mode Recovery Register 2

The Stop-Mode Recovery Register, SMR2, controls additional Port 2 clocking functions. WRITE and reset states for bits D7–D0 are listed in Table 34.

**Table 34. Stop-Mode Recovery Register 2—SMR2 0Dh/R13 Bank Fh: WRITE ONLY**

|                                     |    |    |    |    |    |    |    |    |
|-------------------------------------|----|----|----|----|----|----|----|----|
| Bit                                 | D7 | D6 | D5 | D4 | D3 | D2 | D1 | D0 |
| R/W                                 | W  | W  | W  | W  | W  | W  | W  | W  |
| Reset                               | X  | X  | X  | X  | X  | X  | 0  | 0  |
| Note: W = Write, X = Indeterminate. |    |    |    |    |    |    |    |    |

| Bit Position | Bit Field | R/W | Reset State | Description   |
|--------------|-----------|-----|-------------|---|
| D7–D2        | Reserved  | W   | X           | Reserved—must be 0  |
| D1–D0        | STOP Mode | W   | 00          | <b>Stop-Mode Recovery Source 2*</b><br>00: POR only<br>01: AND P20, P21, P22, P23<br>10: AND P20, P21, P22, P23, P24, P25, P26, P27<br>11: Reserved |

Note: For the Stop-Mode Recovery Source, either SMR or SMR2 can be selected. If SMR2 is used to select the Stop-Mode Recovery Source, bits D4–D2 of SMR must be 0. Not used in conjunction with SMR Source.

### Watch-Dog Timer Mode Register

The Watch-Dog Timer Mode Register, WDTMR, controls Watch-Dog Timer functions. WRITE and reset states for bits D7–D0 are listed in Table 35.

**Table 35. Watch-Dog Timer Mode Register—WDTMR 0Fh/R15 Bank Fh: WRITE ONLY**

|                                     |    |    |    |    |    |    |    |    |
|-------------------------------------|----|----|----|----|----|----|----|----|
| Bit                                 | D7 | D6 | D5 | D4 | D3 | D2 | D1 | D0 |
| R/W                                 | W  | W  | W  | W  | W  | W  | W  | W  |
| Reset                               | X  | X  | X  | 0  | 1  | 1  | 0  | 1  |
| Note: W = Write, X = Indeterminate. |    |    |    |    |    |    |    |    |



| Bit Position | Bit Field       | R/W | Reset State | Description   |
|--------------|-----------------|-----|-------------|---|
| D7–D5        | Reserved        | W   | X           | Reserved—must be 0  |
| D4           | X <sub>IN</sub> | W   | 0           | <b>X<sub>IN</sub> Input/Internal RC Select for WDT</b><br>0: On-Board RC<br>1: X <sub>IN</sub>                                    |
| D3           | WDT             | W   | 1           | <b>WDT During STOP</b><br>0: WDT disabled during STOP mode<br>1: WDT enabled during STOP mode                                     |
| D2           | WDT             | W   | 1           | <b>WDT During HALT</b><br>0: WDT disabled during HALT mode<br>1: WDT enabled during HALT mode                                     |
| D1–D0        | WDT Tap         | W   | 01          | <b>WDT Tap Int. RC Osc. System Clock</b><br>00: 3.5 ms 128 SCLK<br>01: 7 ms 256 SCLK<br>10: 14 ms 512 SCLK<br>11: 56 ms 2048 SCLK |

Note: Not used in conjunction with SMR Source.

## Electrical Characteristics

### Absolute Maximum Ratings

Stresses greater than the Absolute Maximum Ratings listed in Table 36 may cause permanent damage to the device. This rating is a stress rating only. Functional operation of the device at any condition above those indicated in the operational sections of these specifications is not implied. Exposure to absolute maximum rating conditions for an extended period may affect device reliability.

Table 36. Absolute Maximum Ratings

| Parameter  | Min  | Max                | Units | Notes |
|--|------|--------------------|-------|-------|
| Ambient Temperature under Bias                                 | –40  | +105               | C     |       |
| Storage Temperature  | –65  | +150               | C     |       |
| Voltage on any Pin with Respect to V <sub>SS</sub>             | –0.6 | +7                 | V     | 1     |
| Voltage on V <sub>DD</sub> Pin with Respect to V <sub>SS</sub> | –0.3 | +7                 | V     |       |
| Voltage on X <sub>IN</sub> Pin with Respect to V <sub>SS</sub> | –0.6 | V <sub>DD</sub> +1 | V     | 2     |
| Total Power Dissipation  |      | 1.21               | W     |       |



**Table 36. Absolute Maximum Ratings (Continued)**

| Parameter   | Min  | Max  | Units   | Notes |
|---|------|------|---------|-------|
| Maximum Allowable Current out of $V_{SS}$               |      | 220  | mA      |       |
| Maximum Allowable Current into $V_{DD}$                 |      | 180  | mA      |       |
| Maximum Allowable Current into an Input Pin             | -600 | +600 | $\mu$ A | 3     |
| Maximum Allowable Current into an Open-Drain Pin        | -600 | +600 | $\mu$ A | 4     |
| Maximum Allowable Output Current Sunk by Any I/O Pin    |      | 25   | mA      |       |
| Maximum Allowable Output Current Sourced by Any I/O Pin |      | 25   | mA      |       |

Notes:

1. Applies to all pins except Crystal pins and where otherwise noted.
2. There is no input protection diode from pin to  $V_{DD}$  and current into pin is limited to  $\pm 600 \mu$ A.
3. Excludes  $X_{IN}$  and  $X_{OUT}$  pins.
4. Device pin is not at an output Low state.

Total power dissipation should not exceed 1.21 W for the package. Power dissipation is calculated as follows:

$$\begin{aligned} \text{Total Power Dissipation} = & V_{DD} \times [I_{DD} - (\text{sum of } I_{OH})] \\ & + \text{sum of } [(V_{DD} - V_{OH}) \times I_{OH}] \\ & + \text{sum of } (V_{OL} \times I_{OL}) \end{aligned}$$

## DC Electrical Characteristics

### Standard Temperature Range

Table 37. DC Electrical Characteristics at Standard Temperature

| Sym             | Parameter                | V <sub>CC1</sub> | T <sub>A</sub> =<br>0°C to +70°C |                      | Typical <sup>2</sup><br>@25°C | Units | Conditions                         | Notes |
|-----------------|--------------------------|------------------|----------------------------------|----------------------|-------------------------------|-------|------------------------------------|-------|
|                 |                          |                  | Min                              | Max                  |                               |       |                                    |       |
| V <sub>CH</sub> | Clock Input High Voltage | 3.0V             | 0.7 V <sub>CC</sub>              | V <sub>CC</sub> +0.3 | 1.8                           | V     | Driven by External Clock Generator |       |
|                 |                          | 5.5V             | 0.7 V <sub>CC</sub>              | V <sub>CC</sub> +0.3 | 2.6                           | V     | Driven by External Clock Generator |       |
| V <sub>CL</sub> | Clock Input Low Voltage  | 3.0V             | GND-0.3                          | 0.2 V <sub>CC</sub>  | 1.2                           | V     | Driven by External Clock Generator |       |
|                 |                          | 5.5V             | GND-0.3                          | 0.2 V <sub>CC</sub>  | 2.1                           | V     | Driven by External Clock Generator |       |
| V <sub>IH</sub> | Input High Voltage       | 3.0V             | 0.7 V <sub>CC</sub>              | V <sub>CC</sub> +0.3 | 1.8                           | V     |                                    |       |
|                 |                          | 5.5V             | 0.7 V <sub>CC</sub>              | V <sub>CC</sub> +0.3 | 2.6                           | V     |                                    |       |
| V <sub>IL</sub> | Input Low Voltage        | 3.0V             | GND-0.3                          | 0.2 V <sub>CC</sub>  | 1.1                           | V     |                                    |       |
|                 |                          | 5.5V             | GND-0.3                          | 0.2 V <sub>CC</sub>  | 1.6                           | V     |                                    |       |
| V <sub>OH</sub> | Output High Voltage      | 3.0V             | V <sub>CC</sub> -0.4             |                      | 3.1                           | V     | I <sub>OH</sub> = -0.5 mA          | 4     |
|                 |                          | 5.0V             | V <sub>CC</sub> -0.4             |                      | 4.8                           | V     | I <sub>OH</sub> = -0.5 mA          | 4     |

Notes:

1. The V<sub>CC</sub> voltage specification of 3.0V guarantees 3.3V ±0.3V with typicals at V<sub>CC</sub> = 3.3V, and the V<sub>CC</sub> voltage specification of 5.5V guarantees 5.0V ±0.5V with typicals at V<sub>CC</sub> = 5.0V.
2. Typical voltage is V<sub>CC</sub> = 5.0V and 3.3V.
3. STANDARD Mode (not Low-EMI Mode).
4. Low-EMI Mode (Not Standard Mode).
5. For analog comparator, inputs when analog comparators are enabled.
6. All outputs unloaded, I/O pins floating, inputs at rail.
7. Same as note 6, except inputs at V<sub>CC</sub>.
8. Clock must be forced Low, when X<sub>IN</sub> is clock-driven and X<sub>OUT</sub> is floating.
9. 0°C to 70°C (standard temperature).
10. Autolatch (Mask Option) selected.
11. The V<sub>LV</sub> voltage increases as the temperature decreases and overlaps lower V<sub>CC</sub> operating region. See [Figure 15](#).
12. -40°C to 105°C (extended temperature).



Table 37. DC Electrical Characteristics at Standard Temperature (Continued)

| Sym                 | Parameter                       | V <sub>CC1</sub> | T <sub>A</sub> =<br>0°C to +70°C |     | Typical <sup>2</sup><br>@25°C | Units | Conditions                            | Notes |
|---------------------|---------------------------------|------------------|----------------------------------|-----|-------------------------------|-------|---------------------------------------|-------|
|                     |                                 |                  | Min                              | Max |                               |       |                                       |       |
| V <sub>OH1</sub>    | Output High Voltage             | 3.0V             | V <sub>CC</sub> -0.4             |     | 3.1                           | V     | I <sub>OH</sub> = -2.0 mA             | 3     |
|                     |                                 | 5.5V             | V <sub>CC</sub> -0.4             |     | 4.8                           | V     | I <sub>OH</sub> = -2.0 mA             | 3     |
| V <sub>OL</sub>     | Output Low Voltage              | 3.0V             |                                  | 0.6 | 0.2                           | V     | I <sub>OL</sub> = 1.0 mA              | 4     |
|                     |                                 | 5.0V             |                                  | 0.4 | 0.1                           | V     | I <sub>OL</sub> = 1.0 mA              | 4     |
| V <sub>OL1</sub>    | Output Low Voltage              | 3.0V             |                                  | 0.6 | 0.2                           | V     | I <sub>OL</sub> = +4.0 mA             | 3     |
|                     |                                 | 5.5V             |                                  | 0.4 | 0.1                           | V     | I <sub>OL</sub> = +4.0 mA             | 3     |
| V <sub>OL2</sub>    | Output Low Voltage              | 3.0V             |                                  | 1.2 | 0.3                           | V     | I <sub>OL</sub> = +6 mA               | 3     |
|                     |                                 | 5.5V             |                                  | 1.2 | 0.4                           | V     | I <sub>OL</sub> = +12 mA              | 3     |
| V <sub>OFFSET</sub> | Comparator Input Offset Voltage | 3.0V             |                                  | 25  | 10                            | mV    |                                       | 5     |
|                     |                                 | 5.5V             |                                  | 25  | 10                            | mV    |                                       | 5     |
| I <sub>IL</sub>     | Input Leakage                   | 3.0V             | -1                               | 2   | 0.04                          | μA    | V <sub>IN</sub> = 0V, V <sub>CC</sub> |       |
|                     |                                 | 5.5V             | -1                               | 2   | 0.04                          | μA    | V <sub>IN</sub> = 0V, V <sub>CC</sub> |       |
| I <sub>OL</sub>     | Output Leakage                  | 3.0V             | -1                               | 1   | 0.04                          | μA    | V <sub>IN</sub> = 0V, V <sub>CC</sub> |       |
|                     |                                 | 5.5V             | -1                               | 1   | 0.04                          | μA    | V <sub>IN</sub> = 0V, V <sub>CC</sub> |       |
| I <sub>CC</sub>     | Supply Current                  | 3.0V             |                                  | 10  | 4                             | mA    | @ 4 MHz                               | 6     |
|                     |                                 | 5.5V             |                                  | 15  | 9                             | mA    | @ 4 MHz                               | 6     |

Notes:

1. The V<sub>CC</sub> voltage specification of 3.0V guarantees 3.3V ±0.3V with typicals at V<sub>CC</sub> = 3.3V, and the V<sub>CC</sub> voltage specification of 5.5V guarantees 5.0V ±0.5V with typicals at V<sub>CC</sub> = 5.0V.
2. Typical voltage is V<sub>CC</sub> = 5.0V and 3.3V.
3. STANDARD Mode (not Low-EMI Mode).
4. Low-EMI Mode (Not Standard Mode).
5. For analog comparator, inputs when analog comparators are enabled.
6. All outputs unloaded, I/O pins floating, inputs at rail.
7. Same as note 6, except inputs at V<sub>CC</sub>.
8. Clock must be forced Low, when X<sub>IN</sub> is clock-driven and X<sub>OUT</sub> is floating.
9. 0°C to 70°C (standard temperature).
10. Autolatch (Mask Option) selected.
11. The V<sub>LV</sub> voltage increases as the temperature decreases and overlaps lower V<sub>CC</sub> operating region. See [Figure 15](#).
12. -40°C to 105°C (extended temperature).



Table 37. DC Electrical Characteristics at Standard Temperature (Continued)

| Sym              | Parameter                       | V <sub>CC1</sub> | T <sub>A</sub> =<br>0°C to +70°C |                       | Typical <sup>2</sup><br>@25°C | Units | Conditions                                     | Notes |
|------------------|---------------------------------|------------------|----------------------------------|-----------------------|-------------------------------|-------|--|-------|
|                  |                                 |                  | Min                              | Max                   |                               |       |  |       |
| I <sub>CC1</sub> | Standby Current (HALT mode)     | 3.0V             |                                  | 4.3                   | 1.5                           | mA    | V <sub>IN</sub> = 0V, V <sub>CC</sub> @ 16 MHz | 6     |
|                  |                                 | 5.5V             |                                  | 7                     | 3.4                           | mA    | V <sub>IN</sub> = 0V, V <sub>CC</sub> @ 16 MHz | 6     |
| I <sub>CC2</sub> | Standby Current (STOP Mode)     | 3.0V             |                                  | 8                     | 2                             | μA    | WDT is not Running                             | 7,8   |
|                  |                                 | 5.5V             |                                  | 10                    | 4                             | μA    | WDT is not Running                             | 7,8   |
|                  |                                 | 3.0V             |                                  | 500                   | 310                           | μA    | WDT is Running                                 | 7,8,9 |
|                  |                                 | 5.5V             |                                  | 800                   | 600                           | μA    | WDT is Running                                 | 7,8,9 |
| V <sub>ICR</sub> | Input Common Mode Voltage Range | 3.0V             | 0                                | V <sub>CC</sub> -1.0V |                               | V     |  | 5     |
|                  |                                 | 5.5V             | 0                                | V <sub>CC</sub> -1.0V |                               | V     |  | 5     |
| I <sub>ALL</sub> | Autolatch Low Current           | 3.0V             | 0.7                              | 8                     | 3                             | μA    | 0V < V <sub>IN</sub> < V <sub>CC</sub>         | 10    |
|                  |                                 | 5.5V             | 1.4                              | 15                    | 5                             | μA    | 0V < V <sub>IN</sub> < V <sub>CC</sub>         | 10    |
| I <sub>ALH</sub> | Autolatch High Current          | 3.0V             | -0.6                             | -5                    | -3                            | μA    | 0V < V <sub>IN</sub> < V <sub>CC</sub>         | 10    |
|                  |                                 | 5.5V             | -1.0                             | -8                    | -6                            | μA    | 0V < V <sub>IN</sub> < V <sub>CC</sub>         | 10    |

Notes:

1. The V<sub>CC</sub> voltage specification of 3.0V guarantees 3.3V ±0.3V with typicals at V<sub>CC</sub> = 3.3V, and the V<sub>CC</sub> voltage specification of 5.5V guarantees 5.0V ±0.5V with typicals at V<sub>CC</sub> = 5.0V.
2. Typical voltage is V<sub>CC</sub> = 5.0V and 3.3V.
3. STANDARD Mode (not Low-EMI Mode).
4. Low-EMI Mode (Not Standard Mode).
5. For analog comparator, inputs when analog comparators are enabled.
6. All outputs unloaded, I/O pins floating, inputs at rail.
7. Same as note 6, except inputs at V<sub>CC</sub>.
8. Clock must be forced Low, when X<sub>IN</sub> is clock-driven and X<sub>OUT</sub> is floating.
9. 0°C to 70°C (standard temperature).
10. Autolatch (Mask Option) selected.
11. The V<sub>LV</sub> voltage increases as the temperature decreases and overlaps lower V<sub>CC</sub> operating region. See [Figure 15](#).
12. -40°C to 105°C (extended temperature).



**Table 37. DC Electrical Characteristics at Standard Temperature (Continued)**

| Sym      | Parameter                               | $V_{CC1}$ | $T_A =$<br>0°C to +70°C |     | Typical <sup>2</sup><br>@25°C | Units | Conditions | Notes |
|----------|---|-----------|-------------------------|-----|-------------------------------|-------|------------|-------|
|          |   |           | Min                     | Max |                               |       |            |       |
| $V_{LV}$ | $V_{CC}$ Low Voltage Protection Voltage |           | 2.2                     | 3.1 | 2.8                           | V     |            | 11    |

Notes:

1. The  $V_{CC}$  voltage specification of 3.0V guarantees 3.3V  $\pm$ 0.3V with typicals at  $V_{CC} = 3.3V$ , and the  $V_{CC}$  voltage specification of 5.5V guarantees 5.0V  $\pm$ 0.5V with typicals at  $V_{CC} = 5.0V$ .
2. Typical voltage is  $V_{CC} = 5.0V$  and 3.3V.
3. STANDARD Mode (not Low-EMI Mode).
4. Low-EMI Mode (Not Standard Mode).
5. For analog comparator, inputs when analog comparators are enabled.
6. All outputs unloaded, I/O pins floating, inputs at rail.
7. Same as note 6, except inputs at  $V_{CC}$ .
8. Clock must be forced Low, when  $X_{IN}$  is clock-driven and  $X_{OUT}$  is floating.
9. 0°C to 70°C (standard temperature).
10. Autolatch (Mask Option) selected.
11. The  $V_{LV}$  voltage increases as the temperature decreases and overlaps lower  $V_{CC}$  operating region. See [Figure 15](#).
12. -40°C to 105°C (extended temperature).



Extended Temperature Range

Table 38. DC Electrical Characteristics at Extended Temperature

| Sym              | Parameter                | V <sub>CC1</sub> | T <sub>A</sub> = -40°C to +105°C |                      | Typical <sup>2</sup><br>@25°C | Units | Conditions                         | Notes |
|------------------|--------------------------|------------------|----------------------------------|----------------------|-------------------------------|-------|------------------------------------|-------|
|                  |                          |                  | Min                              | Max                  |                               |       |                                    |       |
| V <sub>CH</sub>  | Clock Input High Voltage | 3.0V             | 0.7 V <sub>CC</sub>              | V <sub>CC</sub> +0.3 | 1.8                           | V     | Driven by External Clock Generator |       |
|                  |                          | 5.5V             | 0.7 V <sub>CC</sub>              | V <sub>CC</sub> +0.3 | 2.6                           | V     | Driven by External Clock Generator |       |
| V <sub>CL</sub>  | Clock Input Low Voltage  | 3.0V             | GND-0.3                          | 0.2 V <sub>CC</sub>  | 1.2                           | V     | Driven by External Clock Generator |       |
|                  |                          | 5.5V             | GND-0.3                          | 0.2 V <sub>CC</sub>  | 2.1                           | V     | Driven by External Clock Generator |       |
| V <sub>IH</sub>  | Input High Voltage       | 3.0V             | 0.7 V <sub>CC</sub>              | V <sub>CC</sub> +0.3 | 1.8                           | V     |                                    |       |
|                  |                          | 5.5V             | 0.7 V <sub>CC</sub>              | V <sub>CC</sub> +0.3 | 2.6                           | V     |                                    |       |
| V <sub>IL</sub>  | Input Low Voltage        | 3.0V             | GND-0.3                          | 0.2 V <sub>CC</sub>  | 1.1                           | V     |                                    |       |
|                  |                          | 5.5V             | GND-0.3                          | 0.2 V <sub>CC</sub>  | 1.6                           | V     |                                    |       |
| V <sub>OH</sub>  | Output High Voltage      | 3.0V             | V <sub>CC</sub> -0.4             |                      | 3.1                           | V     | I <sub>OH</sub> = -0.5 mA          | 4     |
|                  |                          | 5.0V             | V <sub>CC</sub> -0.4             |                      | 4.8                           | V     | I <sub>OH</sub> = -0.5 mA          | 4     |
| V <sub>OH1</sub> | Output High Voltage      | 3.0V             | V <sub>CC</sub> -0.4             |                      | 3.1                           | V     | I <sub>OH</sub> = -2.0 mA          | 3     |
|                  |                          | 5.5V             | V <sub>CC</sub> -0.4             |                      | 4.8                           | V     | I <sub>OH</sub> = -2.0 mA          | 3     |

Notes:

1. The V<sub>CC</sub> voltage specification of 3.0V guarantees 3.3V ±0.3V with typicals at V<sub>CC</sub> = 3.3V, and the V<sub>CC</sub> voltage specification of 5.5V guarantees 5.0V ±0.5V with typicals at V<sub>CC</sub> = 5.0V.
2. Typical voltage is V<sub>CC</sub> = 5.0V and 3.3V.
3. STANDARD Mode (not Low-EMI Mode).
4. Low-EMI Mode (Not Standard Mode).
5. For analog comparator, inputs when analog comparators are enabled.
6. All outputs unloaded, I/O pins floating, inputs at rail.
7. Same as note 6, except inputs at V<sub>CC</sub>.
8. Clock must be forced Low, when X<sub>IN</sub> is clock-driven and X<sub>OUT</sub> is floating.
9. 0°C to 70°C (standard temperature).
10. Autolatch (Mask Option) selected.
11. The V<sub>LV</sub> voltage increases as the temperature decreases and overlaps lower V<sub>CC</sub> operating region. See [Figure 15](#).
12. -40°C to 105°C (extended temperature).

Table 38. DC Electrical Characteristics at Extended Temperature (Continued)

| Sym                 | Parameter                       | V <sub>CC1</sub> | T <sub>A</sub> = -40°C to +105°C |     | Typical <sup>2</sup><br>@25°C | Units | Conditions                                       | Notes |
|---------------------|---------------------------------|------------------|----------------------------------|-----|-------------------------------|-------|--|-------|
|                     |                                 |                  | Min                              | Max |                               |       |  |       |
| V <sub>OL</sub>     | Output Low Voltage              | 3.0V             |                                  | 0.6 | 0.2                           | V     | I <sub>OL</sub> = 1.0 mA                         | 4     |
|                     |                                 | 5.0V             |                                  | 0.4 | 0.1                           | V     | I <sub>OL</sub> = 1.0 mA                         | 4     |
| V <sub>OL1</sub>    | Output Low Voltage              | 3.0V             |                                  | 0.6 | 0.2                           | V     | I <sub>OL</sub> = +4.0 mA                        | 3     |
|                     |                                 | 5.5V             |                                  | 0.4 | 0.1                           | V     | I <sub>OL</sub> = +4.0 mA                        | 3     |
| V <sub>OL2</sub>    | Output Low Voltage              | 3.0V             |                                  | 1.2 | 0.3                           | V     | I <sub>OL</sub> = +6 mA                          | 3     |
|                     |                                 | 5.5V             |                                  | 1.2 | 0.4                           | V     | I <sub>OL</sub> = +12 mA                         | 3     |
| V <sub>OFFSET</sub> | Comparator Input Offset Voltage | 3.0V             |                                  | 25  | 10                            | mV    |  | 5     |
|                     |                                 | 5.5V             |                                  | 25  | 10                            | mV    |  | 5     |
| I <sub>IL</sub>     | Input Leakage                   | 3.0V             | -1                               | 2   | 0.04                          | μA    | V <sub>IN</sub> = 0V, V <sub>CC</sub>            |       |
|                     |                                 | 5.5V             | -1                               | 2   | 0.04                          | μA    | V <sub>IN</sub> = 0V, V <sub>CC</sub>            |       |
| I <sub>OL</sub>     | Output Leakage                  | 3.0V             | -1                               | 2   | 0.04                          | μA    | V <sub>IN</sub> = 0V, V <sub>CC</sub>            |       |
|                     |                                 | 5.5V             | -1                               | 2   | 0.04                          | μA    | V <sub>IN</sub> = 0V, V <sub>CC</sub>            |       |
| I <sub>CC</sub>     | Supply Current                  | 3.0V             |                                  | 10  | 4                             | mA    | @ 4 MHz  | 6     |
|                     |                                 | 5.5V             |                                  | 15  | 9                             | mA    | @ 4 MHz  | 6     |
| I <sub>CC1</sub>    | Standby Current (HALT mode)     | 3.0V             |                                  | 4.3 | 1.5                           | mA    | V <sub>IN</sub> = 0V, V <sub>CC</sub><br>@ 4 MHz | 6     |
|                     |                                 | 5.5V             |                                  | 7   | 3.4                           | mA    | V <sub>IN</sub> = 0V, V <sub>CC</sub><br>@ 4 MHz | 6     |

Notes:

1. The V<sub>CC</sub> voltage specification of 3.0V guarantees 3.3V ±0.3V with typicals at V<sub>CC</sub> = 3.3V, and the V<sub>CC</sub> voltage specification of 5.5V guarantees 5.0V ±0.5V with typicals at V<sub>CC</sub> = 5.0V.
2. Typical voltage is V<sub>CC</sub> = 5.0V and 3.3V.
3. STANDARD Mode (not Low-EMI Mode).
4. Low-EMI Mode (Not Standard Mode).
5. For analog comparator, inputs when analog comparators are enabled.
6. All outputs unloaded, I/O pins floating, inputs at rail.
7. Same as note 6, except inputs at V<sub>CC</sub>.
8. Clock must be forced Low, when X<sub>IN</sub> is clock-driven and X<sub>OUT</sub> is floating.
9. 0°C to 70°C (standard temperature).
10. Autolatch (Mask Option) selected.
11. The V<sub>LV</sub> voltage increases as the temperature decreases and overlaps lower V<sub>CC</sub> operating region. See [Figure 15](#).
12. -40°C to 105°C (extended temperature).



Table 38. DC Electrical Characteristics at Extended Temperature (Continued)

| Sym              | Parameter                                      | V <sub>CC1</sub> | T <sub>A</sub> = -40°C to +105°C |                       | Typical <sup>2</sup><br>@25°C | Units | Conditions                             | Notes |
|------------------|--|------------------|----------------------------------|-----------------------|-------------------------------|-------|--|-------|
|                  |  |                  | Min                              | Max                   |                               |       |  |       |
| I <sub>CC2</sub> | Standby Current (STOP Mode)                    | 3.0V             |                                  | 8                     | 2                             | μA    | WDT is not Running                     | 7,8   |
|                  |  | 5.5V             |                                  | 10                    | 4                             | μA    | WDT is not Running                     | 7,8   |
|                  |  | 3.0V             |                                  | 600                   | 310                           | μA    | WDT is Running                         | 7,8   |
|                  |  | 5.5V             |                                  | 1000                  | 600                           | μA    | WDT is Running                         | 7,8   |
| V <sub>ICR</sub> | Input Common Mode Voltage Range                | 3.0V             | 0                                | V <sub>CC</sub> -1.5V |                               | V     |  | 5     |
|                  |  | 5.5V             | 0                                | V <sub>CC</sub> -1.5V |                               | V     |  | 5     |
| I <sub>ALL</sub> | Autolatch Low Current                          | 3.0V             | 0.7                              | 10                    | 3                             | μA    | 0V < V <sub>IN</sub> < V <sub>CC</sub> | 10    |
|                  |  | 5.5V             | 1.4                              | 20                    | 5                             | μA    | 0V < V <sub>IN</sub> < V <sub>CC</sub> | 10    |
| I <sub>ALH</sub> | Autolatch High Current                         | 3.0V             | -0.6                             | -7                    | -3                            | μA    | 0V < V <sub>IN</sub> < V <sub>CC</sub> | 10    |
|                  |  | 5.5V             | -1.0                             | -10                   | -6                            | μA    | 0V < V <sub>IN</sub> < V <sub>CC</sub> | 10    |
| V <sub>LV</sub>  | V <sub>CC</sub> Low Voltage Protection Voltage |                  | 2.0                              | 3.3                   | 2.8                           | V     | 4 MHz max Internal CLK Freq.           | 11,12 |

Notes:

1. The V<sub>CC</sub> voltage specification of 3.0V guarantees 3.3V ±0.3V with typicals at V<sub>CC</sub> = 3.3V, and the V<sub>CC</sub> voltage specification of 5.5V guarantees 5.0V ±0.5V with typicals at V<sub>CC</sub> = 5.0V.
2. Typical voltage is V<sub>CC</sub> = 5.0V and 3.3V.
3. STANDARD Mode (not Low-EMI Mode).
4. Low-EMI Mode (Not Standard Mode).
5. For analog comparator, inputs when analog comparators are enabled.
6. All outputs unloaded, I/O pins floating, inputs at rail.
7. Same as note 6, except inputs at V<sub>CC</sub>.
8. Clock must be forced Low, when X<sub>IN</sub> is clock-driven and X<sub>OUT</sub> is floating.
9. 0°C to 70°C (standard temperature).
10. Autolatch (Mask Option) selected.
11. The V<sub>LV</sub> voltage increases as the temperature decreases and overlaps lower V<sub>CC</sub> operating region. See [Figure 15](#).
12. -40°C to 105°C (extended temperature).

## AC Electrical Characteristics

The timing characteristics with respect to external input/output sources are provided in the following pages.

### Additional Timing

Figure 16 illustrates the timing characteristics with respect to system clock functions. See Tables 39 and 40 for descriptions of the numbered timing parameters in the figure.

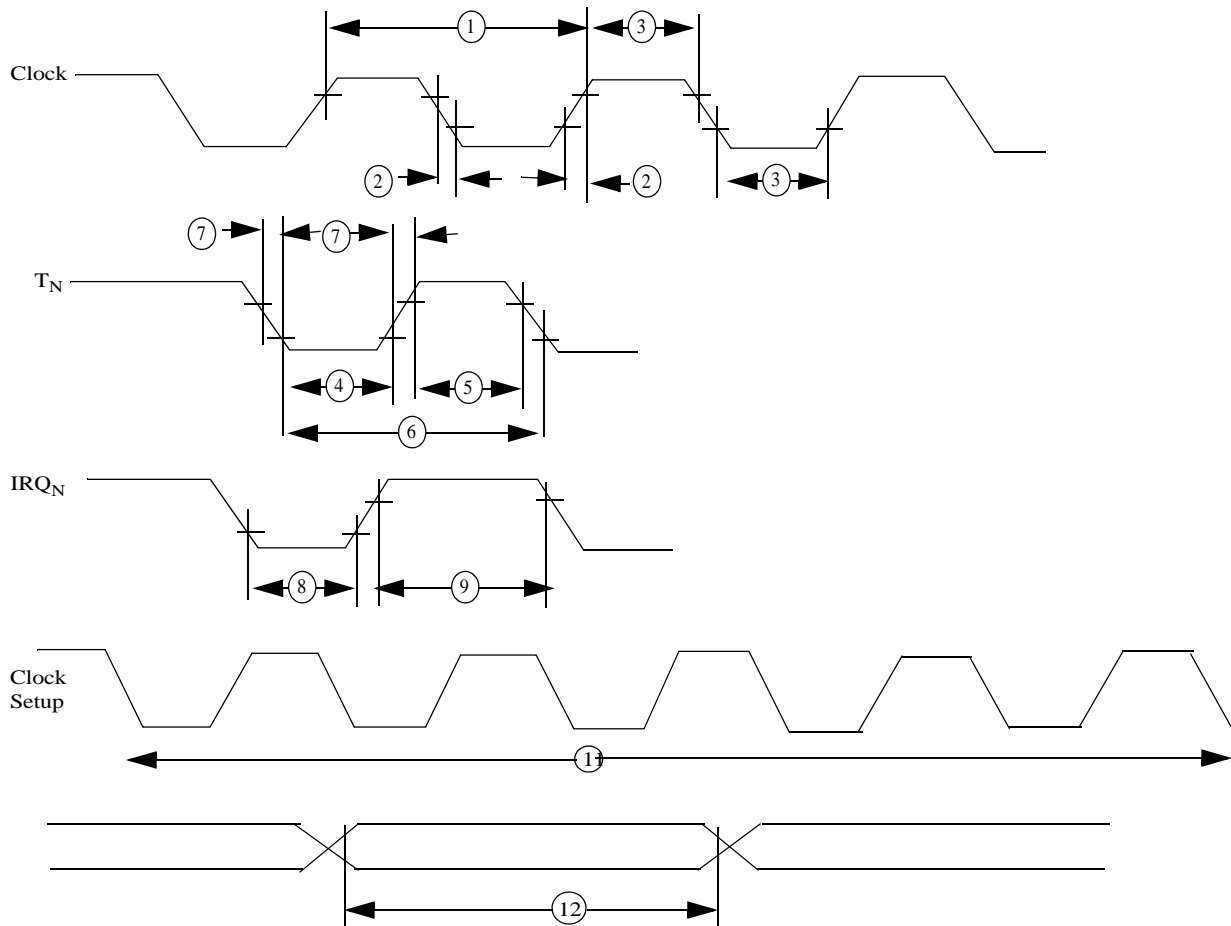


Figure 16. Additional Timing

The values presented in Table 39 are within a standard temperature range of 0°C to 70°C.

**Table 39. Additional Timing at Standard Temperature**

| No | Sym                                      | Parameter                     | V <sub>CC</sub> <sup>1</sup> | T <sub>A</sub> = 0°C to +70°C |     | Units | Notes | D1,D0 |
|----|--|-------------------------------|------------------------------|-------------------------------|-----|-------|-------|-------|
|    |  |                               |                              | 4 MHz                         |     |       |       |       |
|    |  |                               |                              | Min                           | Max |       |       |       |
| 1  | T <sub>pC</sub>                          | Input Clock Period            | 3.0V                         | 250                           | DC  | ns    | 2,3,4 |       |
|    |  |                               | 5.5V                         | 250                           | DC  | ns    |       |       |
| 2  | T <sub>RC</sub> ,<br>T <sub>FC</sub>     | Clock Input Rise & Fall Times | 3.0V                         |                               | 25  | ns    | 2,3   |       |
|    |  |                               | 5.5V                         |                               | 25  | ns    |       |       |
| 3  | T <sub>WC</sub>                          | Input Clock Width             | 3.0V                         | 125                           |     | ns    | 2,3,4 |       |
|    |  |                               | 5.5V                         | 125                           |     | ns    |       |       |
| 4  | T <sub>WTINL</sub>                       | Timer Input Low Width         | 3.0V                         | 100                           |     | ns    | 2,3   |       |
|    |  |                               | 5.5V                         | 70                            |     | ns    |       |       |
| 5  | T <sub>WTINH</sub>                       | Timer Input High Width        | 3.0V                         | 3T <sub>pC</sub>              |     |       | 2,3   |       |
|    |  |                               | 5.5V                         | 3T <sub>pC</sub>              |     |       |       |       |
| 6  | T <sub>PTIN</sub>                        | Timer Input Period            | 3.0V                         | 4T <sub>pC</sub>              |     |       | 2,3   |       |
|    |  |                               | 5.5V                         | 4T <sub>pC</sub>              |     |       |       |       |
| 7  | T <sub>RTIN</sub> ,<br>T <sub>FTIN</sub> | Timer Input Rise & Fall Timer | 3.0V                         |                               | 100 | ns    | 2,3   |       |
|    |  |                               | 5.5V                         |                               | 100 | ns    |       |       |
| 8A | T <sub>WIL</sub>                         | Interrupt Request Low Time    | 3.0V                         | 100                           |     | ns    | 2,3,5 |       |
|    |  |                               | 5.5V                         | 70                            |     | ns    |       |       |
| 8B | T <sub>WIL</sub>                         | Interrupt Request Low Time    | 3.0V                         | 3T <sub>pC</sub>              |     |       | 2,3,6 |       |
|    |  |                               | 5.5V                         | 3T <sub>pC</sub>              |     |       |       |       |

Notes:

1. The V<sub>CC</sub> voltage specification of 3.0V guarantees 3.3V ±0.3V, and the V<sub>CC</sub> voltage specification of 5.5V guarantees 5.0V ±0.5V.
2. Timing reference uses 0.7 V<sub>CC</sub> for a logic 1 and 0.2 V<sub>CC</sub> for a logic 0.
3. SMR: D1 = 0.
4. The maximum frequency for the external crystal clock is 4 MHz when using LOW-EMI OSCILLATOR mode.
5. The interrupt request via Port 3 (P31–P33).
6. The interrupt request via Port 3 (P30).
7. SMR: D5 = 1, and the POR Stop-Mode Delay is on.
8. For RC and LC oscillators, and for an oscillator driven by a clock driver.
9. The D1,D0 column applies to the Watch-Dog Timer Mode Register tap selection.
10. 12 μs is the typical delay time; only applies when SMR Register bit D5 is cleared to 0



**Table 39. Additional Timing at Standard Temperature (Continued)**

| No | Sym               | Parameter                                   | V <sub>CC</sub> <sup>1</sup> | T <sub>A</sub> = 0°C to +70°C |                   | Units | Notes | D1,D0 |
|----|-------------------|---|------------------------------|-------------------------------|-------------------|-------|-------|-------|
|    |                   |   |                              | Min                           | Max               |       |       |       |
| 9  | T <sub>WIH</sub>  | Interrupt Request Input High Time           | 3.0V                         | 3T <sub>P</sub> C             |                   |       | 2,3,5 |       |
|    |                   |   | 5.5V                         | 3T <sub>P</sub> C             |                   |       |       |       |
| 10 | T <sub>WSM</sub>  | Stop-Mode Recovery Width Spec               | 3.0V                         | 12                            |                   | ns    | 7     |       |
|    |                   |   | 5.5V                         | 12                            |                   | ns    | 7     |       |
| 11 | T <sub>O</sub> ST | Oscillator Startup Time                     | 3.0V                         |                               | 5T <sub>P</sub> C |       | 7,8   |       |
|    |                   |   | 5.5V                         |                               | 5T <sub>P</sub> C |       | 7,8   |       |
| 12 | T <sub>W</sub> DT | Watch-Dog Timer Delay Timer before time-out | 3.0V                         | 7                             |                   | ms    | 9     | 0,0   |
|    |                   |   | 5.5V                         | 3.5                           |                   | ms    | 9     | 0,0   |
|    |                   |   | 3.0V                         | 14                            |                   | ms    | 9     | 0,1   |
|    |                   |   | 5.5V                         | 7                             |                   | ms    | 9     | 0,1   |
|    |                   |   | 3.0V                         | 28                            |                   | ms    | 9     | 1,0   |
|    |                   |   | 5.5V                         | 14                            |                   | ms    | 9     | 1,0   |
|    |                   |   | 3.0V                         | 112                           |                   | ms    | 9     | 1,1   |
|    |                   |   | 5.5V                         | 56                            |                   | ms    | 9     | 1,1   |
| 13 | T <sub>P</sub> OR | Power-On Reset Delay                        | 3.0V                         | 3                             | 26                | ms    |       |       |
|    |                   |   | 5.5V                         | 1.5                           | 13                | ms    |       |       |

Notes:

1. The V<sub>CC</sub> voltage specification of 3.0V guarantees 3.3V ±0.3V, and the V<sub>CC</sub> voltage specification of 5.5V guarantees 5.0V ±0.5V.
2. Timing reference uses 0.7 V<sub>CC</sub> for a logic 1 and 0.2 V<sub>CC</sub> for a logic 0.
3. SMR: D1 = 0.
4. The maximum frequency for the external crystal clock is 4 MHz when using LOW-EMI OSCILLATOR mode.
5. The interrupt request via Port 3 (P31–P33).
6. The interrupt request via Port 3 (P30).
7. SMR: D5 = 1, and the POR Stop-Mode Delay is on.
8. For RC and LC oscillators, and for an oscillator driven by a clock driver.
9. The D1,D0 column applies to the Watch-Dog Timer Mode Register tap selection.
10. 12 μs is the typical delay time; only applies when SMR Register bit D5 is cleared to 0

The values presented in Table 40 are within the extended temperature range of –40°C to 105°C.



**Table 40. Additional Timing at Extended Temperature**

| $T_A = -40^{\circ}\text{C to } +105^{\circ}\text{C}$ |                      |                               |            |           |     |       |       |       |
|--|----------------------|-------------------------------|------------|-----------|-----|-------|-------|-------|
| 4 MHz  |                      |                               |            |           |     |       |       |       |
| No   | Sym                  | Parameter                     | $V_{CC}^1$ | Min       | Max | Units | Notes | D1,D0 |
| 1  | $T_{pC}$             | Input Clock Period            | 3.0V       | 250       | DC  | ns    | 2,3,4 |       |
|  |                      |                               | 5.5V       | 250       | DC  | ns    | 2,3,4 |       |
| 2  | $T_{RC}, T_{FC}$     | Clock Input Rise & Fall Times | 3.0V       |           | 25  | ns    | 2,3   |       |
|  |                      |                               | 5.5V       |           | 25  | ns    | 2,3   |       |
| 3  | $T_{WC}$             | Input Clock Width             | 3.0V       | 125       |     | ns    | 2,3,4 |       |
|  |                      |                               | 5.5V       | 125       |     | ns    | 2,3,4 |       |
| 4  | $T_{WTINL}$          | Timer Input Low Width         | 3.0V       | 100       |     | ns    | 2,3   |       |
|  |                      |                               | 5.5V       | 70        |     | ns    | 2,3   |       |
| 5  | $T_{WTINH}$          | Timer Input High Width        | 3.0V       | $3T_{pC}$ |     |       | 2,3   |       |
|  |                      |                               | 5.5V       | $3T_{pC}$ |     |       | 2,3   |       |
| 6  | $T_{pTIN}$           | Timer Input Period            | 3.0V       | $4T_{pC}$ |     |       | 2,3   |       |
|  |                      |                               | 5.5V       | $4T_{pC}$ |     |       | 2,3   |       |
| 7  | $T_{RTIN}, T_{FTIN}$ | Timer Input Rise & Fall Timer | 3.0V       |           | 100 | ns    | 2,3   |       |
|  |                      |                               | 5.5V       |           | 100 | ns    | 2,3   |       |
| 8A   | $T_{WIL}$            | Interrupt Request Low Time    | 3.0V       | 100       |     | ns    | 2,3,5 |       |
|  |                      |                               | 5.5V       | 70        |     | ns    | 2,3,5 |       |
| 8B   | $T_{WIL}$            | Interrupt Request Low Time    | 3.0V       | $3T_{pC}$ |     |       | 2,3,6 |       |
|  |                      |                               | 5.5V       | $3T_{pC}$ |     |       | 2,3,6 |       |

Notes:

1. The  $V_{CC}$  voltage specification of 5.5V guarantees  $5.0V \pm 0.5V$ .
2. The timing reference uses  $0.7 V_{CC}$  for a logic 1 and  $0.2 V_{CC}$  for a logic 0.
3. SMR: D1 = 0.
4. The maximum frequency for the external crystal clock is 4 MHz when using LOW-EMI OSCILLATOR mode.
5. The interrupt request via Port 3 (P31–P33).
6. The interrupt request via Port 3 (P30).
7. SMR: D5 = 1, and the POR Stop-Mode Delay is on.
8. For RC and LC oscillators, and for an oscillator driven by a clock driver.
9. The D1,D0 column applies to the Watch-Dog Timer Mode Register tap selection.
10. 12  $\mu\text{s}$  is the typical delay time.

Table 40. Additional Timing at Extended Temperature (Continued)

| $T_A = -40^{\circ}\text{C to } +105^{\circ}\text{C}$ |           |   |            |           |           |       |             |
|--|-----------|---|------------|-----------|-----------|-------|-------------|
| 4 MHz  |           |   |            |           |           |       |             |
| No   | Sym       | Parameter                                   | $V_{CC}^1$ | Min       | Max       | Units | Notes D1,D0 |
| 9  | $T_{W H}$ | Interrupt Request Input High Time           | 3.0V       | $3T_{pC}$ |           |       | 2,3,5       |
|  |           |   | 5.5V       | $3T_{pC}$ |           |       | 2,3,5       |
| 10   | $T_{WSM}$ | Stop-Mode Recovery Width Spec               | 3.0V       | 12        |           | ns    | 7           |
|  |           |   | 5.5V       | 12        |           | ns    | 7           |
| 11   | $T_{OST}$ | Oscillator Startup Time                     | 3.0V       |           | $5T_{pC}$ |       | 7,8         |
|  |           |   | 5.5V       |           | $5T_{pC}$ |       | 7,8         |
| 12   | $T_{WDT}$ | Watch-Dog Timer Delay Timer before time-out | 3.0V       | 7         |           | ms    | 9 0,0       |
|  |           |   | 5.5V       | 3.5       |           | ms    | 9 0,0       |
|  |           |   | 3.0V       | 14        |           | ms    | 9 0,1       |
|  |           |   | 5.5V       | 7         |           | ms    | 9 0,1       |
|  |           |   | 3.0V       | 28        |           | ms    | 9 1,0       |
|  |           |   | 5.5V       | 14        |           | ms    | 9 1,0       |
|  |           |   | 3.0V       | 112       |           | ms    | 9 1,1       |
|  |           |   | 5.5V       | 56        |           | ms    | 9 1,1       |
| 13   | $T_{POR}$ | Power-On Reset Delay                        | 3.0V       | 2         | 32        | ms    |             |
|  |           |   | 5.5V       | 1         | 16        | ms    |             |

Notes:

1. The  $V_{CC}$  voltage specification of 5.5V guarantees  $5.0V \pm 0.5V$ .
2. The timing reference uses  $0.7 V_{CC}$  for a logic 1 and  $0.2 V_{CC}$  for a logic 0.
3. SMR: D1 = 0.
4. The maximum frequency for the external crystal clock is 4 MHz when using LOW-EMI OSCILLATOR mode.
5. The interrupt request via Port 3 (P31–P33).
6. The interrupt request via Port 3 (P30).
7. SMR: D5 = 1, and the POR Stop-Mode Delay is on.
8. For RC and LC oscillators, and for an oscillator driven by a clock driver.
9. The D1,D0 column applies to the Watch-Dog Timer Mode Register tap selection.
10. 12  $\mu\text{s}$  is the typical delay time.

## Standard Test Conditions

The characteristics listed in following pages apply for standard test conditions as noted. All voltages are referenced to GND. Positive current flows into the referenced pin (see Figure 17.)

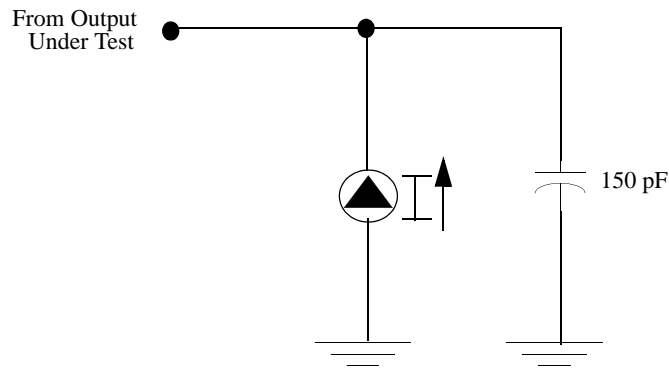


Figure 17. Test Load Diagram

## Capacitance

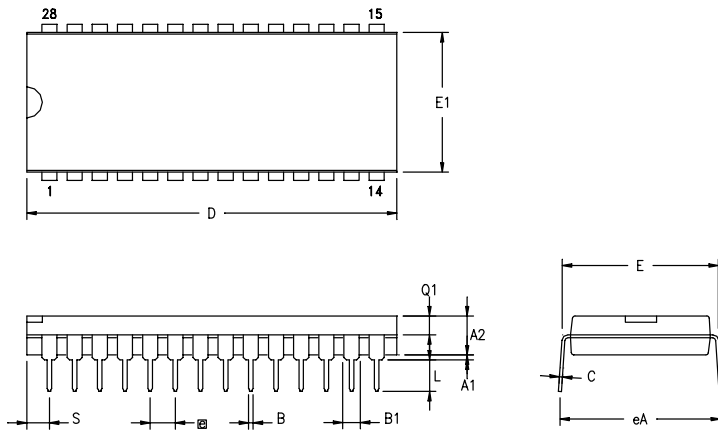
Table 41. Capacitance\*

| Parameter          | Min | Max   |
|--------------------|-----|-------|
| Input capacitance  | 0   | 12 pF |
| Output capacitance | 0   | 12 pF |
| I/O capacitance    | 0   | 12 pF |

Note: \* $T_A = 25^\circ\text{C}$ ,  $V_{CC} = \text{GND} = 0\text{V}$ ,  $f = 1.0\text{ MHz}$ , unmeasured pins to GND.

## Packaging

Figure 18 illustrates the 28-pin DIP package.



| SYMBOL | OPT # | MILLIMETER |       | INCH     |       |
|--------|-------|------------|-------|----------|-------|
|        |       | MIN        | MAX   | MIN      | MAX   |
| A1     |       | 0.38       | 1.02  | .015     | .040  |
| A2     |       | 3.18       | 4.19  | .125     | .165  |
| B      |       | 0.38       | 0.53  | .015     | .021  |
| B1     | 01    | 1.40       | 1.65  | .055     | .065  |
|        | 02    | 1.14       | 1.40  | .045     | .055  |
| C      |       | 0.23       | 0.38  | .009     | .015  |
| D      | 01    | 36.58      | 37.34 | 1.440    | 1.470 |
|        | 02    | 35.31      | 35.94 | 1.390    | 1.415 |
| E      |       | 15.24      | 15.75 | .600     | .620  |
| E1     | 01    | 13.59      | 14.10 | .535     | .555  |
|        | 02    | 12.83      | 13.08 | .505     | .515  |
| ⓐ      |       | 2.54 TYP   |       | .100 TYP |       |
| eA     |       | 15.49      | 16.76 | .610     | .660  |
| L      |       | 3.05       | 3.81  | .120     | .150  |
| Q1     | 01    | 1.40       | 1.91  | .055     | .075  |
|        | 02    | 1.40       | 1.78  | .055     | .070  |
| S      | 01    | 1.52       | 2.29  | .060     | .090  |
|        | 02    | 1.02       | 1.52  | .040     | .060  |

CONTROLLING DIMENSIONS : INCH

| OPTION TABLE |          |
|--------------|----------|
| OPTION #     | PACKAGE  |
| 01           | STANDARD |
| 02           | IDF      |

Figure 18.28-Pin DIP Package Diagram

Figure 19 illustrates the 28-pin SOIC package.

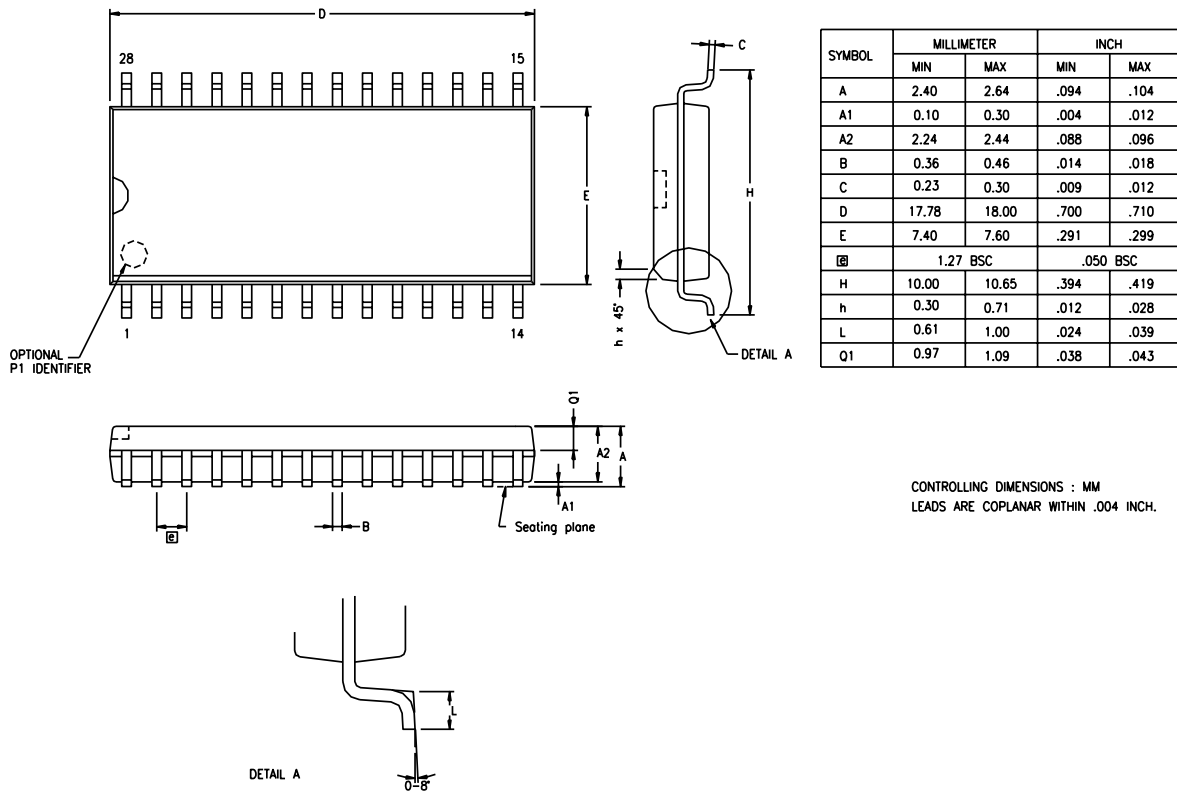


Figure 19.28-Pin SOIC Package Diagram

## Ordering Information

Table 42. Ordering Information

| Temperature | Speed (4MHz) | Pin Count | Package | Order Number* |
|-------------|--------------|-----------|---------|---------------|
| Standard    | 4            | 28        | DIP     | Z87C3304PSC   |
| Standard    | 4            | 28        | SOIC    | Z87C3304SSC   |
| Extended    | 4            | 28        | DIP     | Z87C3304PEC   |



**Table 42. Ordering Information**

| Temperature | Speed (4MHz) | Pin Count | Package | Order Number* |
|-------------|--------------|-----------|---------|---------------|
| Extended    | 4            | 28        | SOIC    | Z87C3304SEC   |

Note: \*The Standard temperature range is 0°C to 70°C. For parts that operate in the Extended temperature range of –40°C to 105°C, substitute the letter E for the letter S. For example, the Order Number for a 28-pin DIP operating in the Extended temperature range is Z87C3304PEC.

For fast results, contact your local ZiLOG sale office for assistance in ordering the part(s) desired.

### Part Number Description

ZiLOG part numbers consist of a number of components. For example, part number Z87C3304PEC is a 4-MHz 28-pin DIP that operates in the –40°C to +105°C temperature range, with Plastic Standard Flow. The Z87C3304PEC part number corresponds to the code segments indicated in the following table.

|    |                    |
|----|--------------------|
| Z  | ZiLOG Prefix       |
| 86 | Z8 Product         |
| C  | ROM Product        |
| 33 | Product Number     |
| 04 | Speed (MHz)        |
| P  | Package            |
| E  | Temperature        |
| C  | Environmental Flow |

For fast results, contact your local ZiLOG sales office for assistance in ordering the part required.

### Precharacterization Product

The product represented by this document is newly introduced and ZiLOG has not completed the full characterization of the product. The document states what ZiLOG knows about this product at this time, but additional features or non-conformance with some aspects of the document may be found, either by ZiLOG or its customers in the course of further application and characterization work. In addition, ZiLOG cautions that delivery may be uncertain at times, due to start-up yield issues.



ZiLOG, Inc.  
532 Race Street  
San Jose, CA 95126-3432  
Telephone (408) 558-8500  
FAX 408 558-8300  
Internet: [www.ZiLOG.com](http://www.ZiLOG.com)

## Document Information

### Document Number Description

The Document Control Number that appears in the footer of each page of this document contains unique identifying attributes, as indicated in the following table:

|       |                          |
|-------|--------------------------|
| PS    | Product Specification    |
| 00156 | Unique Document Number   |
| 01    | Revision Number          |
| 1003  | Month and Year Published |

## Customer Feedback Form

### Z87C33 Product Specification

If you experience any problems while operating this product, or if you note any inaccuracies while reading this Product Specification, please copy and complete this form, then mail or fax it to ZiLOG (see *Return Information*, below). We also welcome your suggestions!

### Customer Information

|                |         |
|----------------|---------|
| Name           | Country |
| Company        | Phone   |
| Address        | Fax     |
| City/State/Zip | E-Mail  |



## Product Information

---

Serial # or Board Fab #/Rev. #

---

Software Version

---

Document Number

---

Host Computer Description/Type

---

## Return Information

ZiLOG  
System Test/Customer Support  
532 Race Street  
San Jose, CA 95126-3432  
Fax: (408) 558-8536  
Email: [www.zilog.com](http://www.zilog.com)

## Problem Description or Suggestion

Provide a complete description of the problem or your suggestion. If you are reporting a specific problem, include all steps leading up to the occurrence of the problem. Attach additional pages as necessary.

---

---

---

---

---

---

---