

ZR34530 Product Brief

Zoran Corporation
1390 Kifer Road
Sunnyvale, CA 94086-5305

Tel 408.523.6500
Fax 408.523.6501
www.zoran.com



Description

The APPROACH 5C is a pin compatible family of mobile multimedia processors designed to meet the highest quality and performance, as well as lowest cost and power, required for next generation multimedia Feature Phones.

The APPROACH 5C is Zoran's fifth generation application processor for handheld and mobile multimedia phones.

The APPROACH 5C integrates Zoran's leading DSC Image Signal Processing (ISP) providing the highest available quality stills in resolution of 5MP and VGA resolution video capture.

The APPROACH 5C family provides innovative features such as digital mobile TV support, 3D-Graphics accelerator for gaming applications, VGA LCD support and full interface of PAL/NTSC composite TV out.

The APPROACH 5C is a complete solution including software applications enabling handset manufacturers and design houses to differentiate high performance multimedia products with a variety of features and long battery life.

Benefits Overview

- APPROACH 5C delivers leading class digital still and video for higher value handsets
- High integration delivers low cost BOM and saves PCB space
- Superior multimedia performance extends longevity of customer's products
- Pin compatible family provides multiple handset designs using one platform, saving design and production investments
- Integrated applications and SDK tools enable fast time-to-market and reduce development efforts and risks
- Low power process and SOC design maximize battery life
- Package selected for lowest PCB and assembly cost
- Fast integration using co-processor architecture (Baseband accelerator)

Features List

DVD Quality Video

- HW based CODECs for low power and high performance
- Capture and playback - VGA 30fps MPEG4/DivX
- CIF 30fps H.264 and WMV9 decoding
- PAL/NTSC composite TV out

High End 5MP DSC

- High quality ISP, supports 5MP CCD and CMOS sensors
- DSC-like performance and user experience: Fastest click-to-click, burst mode, high frame rate
- Signal Processing supports AWB, AE, AF, lens shading and bad pixel correction
- Engines control for optical zoom, AF, shutter and flash

Audio CODECs

- MIDI player, 64 poly, multiple standard
- AMR NB/WB
- MP3, AAC, AAC+
- 3D surround audio

2D/3D HW accelerator

- Low power and high quality gaming accelerator
- Rendering: 700k polygon per sec
- Fill rate: 100 Mpixel per sec
- Open GL ES 1.1 and JSR184 standard API

Mobile Digital TV

- DVB-H, S/T-DMB mobile TV application including player, time-shift and recorder functions
- Need only external tuner/demodulator
- DRM Crypto accelerators for low power deciphering

Peripheral Interfaces

- UART, I2C
- USB 2.0 and OTG
- PCM, AC97, SPI, I2S

Boot memory options

- ROM on chip for fast and safe boot
- Bootable NAND flash
- Bootable SPI Flash
- Boot from Baseband
- Boot from UART (hostless testing and development)

Mass storage

- SD/MMC, MMC V4/dual voltage
- Large NAND (no size limitation)

Technology

- ARM9, up to 270MHz
- 1V (Core) 1.8-3.3V (I/O)
- 90nm CMOS

Power

- Sleep (no clock, LCD bypass) less than 100uW
- Very low active power due to HW engines and advanced process

Mobile Multimedia Application Processor

ZR34530 Product Brief



Software and Applications

Integrated firmware

- Board Support Package: drivers for LCD, camera sensor, NAND, SD/MMC and common HW
- Video: MPEG4, DivX, H264, WMV9, H263, JPEG, GIF, PNG
- Audio: AMR, MP3, AAC, AAC+, MIDI
- Graphics: Open GL ES 1.1 API
- Applications: video player, audio player, digital still camera, thumbnail viewer, video & photo editing

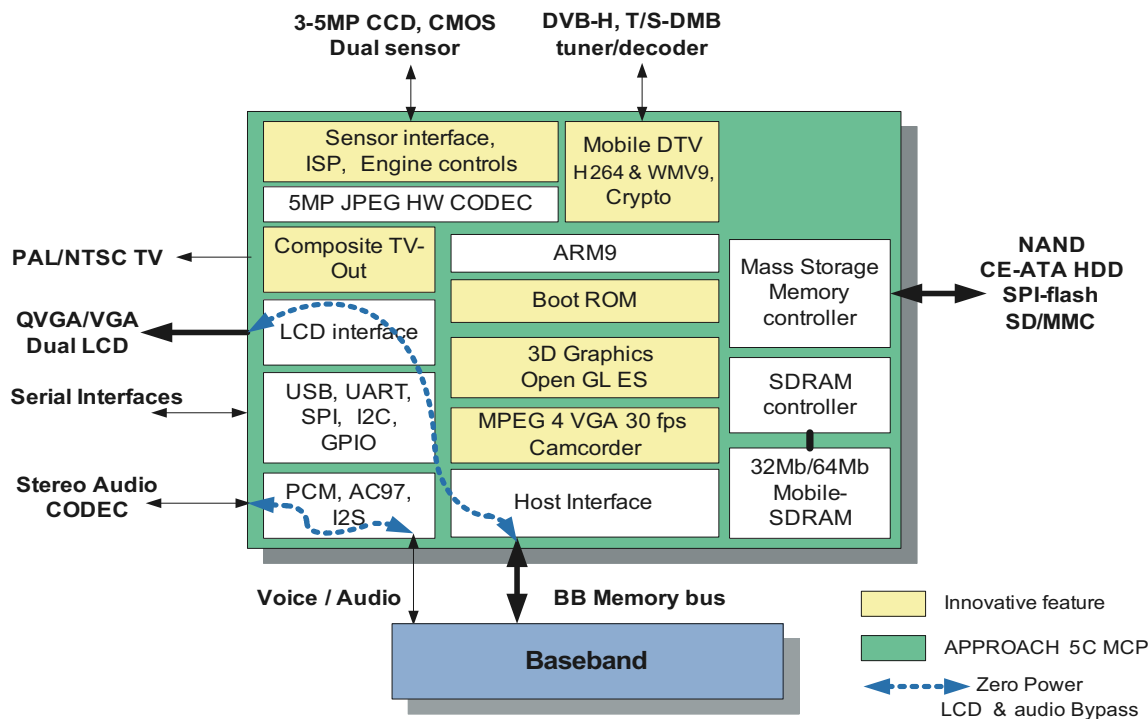
Optional applications

- 3D surround rendering engine
- Third party games
- Mobile TV Applications
- DRM
- Webcam
- PictBridge

APPROACH 5C Packaging

- Family of pin compatible models
- Package size: 8mm x 8mm x 1.2mm
- 32Mb or 64Mb embedded mobile SDRAM
- Different memory configurations suit different embedded applications

APPROACH 5C System



For more information, contact Zoran's Sunnyvale office or the office nearest you:

Shanghai, China	Shenzhen, China	Hong Kong	Israel	Japan	Korea	Taiwan
Zoran China Office	Zoran China Office	Zoran Asia Pacific Ltd.	Zoran Microelectronics Ltd.	Zoran Japan Office	Zoran Korea Office	Zoran Taiwan Office
Tel: 86-21-6427-6258	Tel: 86-755-8281-5777	Tel: +852-2620-5838	Tel: +972-9-8662-400	Tel: +81-3-5475-1051	Tel: +82-2-761-7471	Tel: +886-2-2659-9797
Fax: 86-21-6427-6260	Fax: 86-755-8322-0889	Fax: +852-2620-5238	Fax: +972-9-8662-444	Fax: +81-3-5475-1053	Fax: +82-2-761-7472	Fax: +886-2-2659-9595

© Copyright 2006 Zoran Corporation. All rights reserved. Zoran, APPROACH, and the Zoran logo are trademarks of Zoran Corporation. All other brand product names and company names are trademarks of their respective owners. The information in this document is believed to be reliable. However, Zoran Corporation makes no guarantee or warranty concerning the accuracy of said information and shall not be responsible for any loss or damage of whatever nature resulting from the use of, or reliance upon it. Zoran Corporation does not guarantee that the use of any information contained herein will not infringe upon patent, trademark, copyright, or rights of third parties. Zoran Corporation reserves the right to make changes in the product and/or specifications, or both, presented in this publication at any time without notice.