

Product Brief

Zoran Corporation
1390 Kifer Road
Sunnyvale, CA 94086-5305

Tel 408.523.6500
Fax 408.523.6501
www.zoran.com

**Overview**

The SupraTV 160 family of highly integrated digital TV processors for Free-To-Air and Pay TV Set-Top Boxes (STBs) and integrated digital TVs supports single or dual tuner Digital Video Recording (DVR).

Combining the key functions required to support digital television systems, the SupraTV processor enables products with enhanced flexibility and performance to be developed at the lowest possible

system cost. The use of programmable DSP-based technology allows for product differentiation, while a high performance MIPS processor provides access to industry standard middleware, including MHEG-5.

With a comprehensive set of software drivers, proven tool kit and reference platforms, the SupraTV family keeps product development times to a minimum.

SupraTV 160 Family

- **ZR39160** — designed for use in entry free-to-air and payTV markets
- **ZR39161** — designed for use in free-to-air and payTV markets containing digital video recording and advanced copy protection
- **ZR39162** — designed for use in entry UK Free-To-Air terrestrial markets, including DTVS MHEG-5 software
- **ZR39163** — designed for use in U.K. terrestrial markets containing digital video recording and advanced copy protection, and including DTVS MHEG-5 software

Differences Between ZR39160, ZR39161, ZR39162 and ZR39163

Chip	Target Markets	Features	Includes MHEG-5 Software
ZR39160	Entry Free-to-Air and PayTV	Entry	No
ZR39161	Digital Video Recording and Advanced PayTV	Premium*	No
ZR39162	Entry U.K. Terrestrial	Entry	Yes
ZR39163	U.K. Terrestrial with Digital Video Recording and Advanced PayTV	Premium*	Yes

SupraTV 16x Features Summary

- **MIPS 32 CPU with MMU**
 - 8K I-cache, 8K D-cache
 - 195 MHz Main CPU & programmable DSP operating speed
 - ≥230 Dhrystone MIPS total performance
- **16 or 32 bit SDRAM controller (64Mbit - 256Mbit)**
- **Transport stream demultiplexer**
 - Programmable multi-stream transport demultiplexer with DVB descrambler
 - Three transport stream interfaces
 - DVB descrambling
 - Dual SmartCard interfaces with integrated protection & control
 - Integrated two-slot DVB-CIM controller
- **MPEG-2 video decoder, ISO/IEC13818-2 (MP@ML)**
 - Support for bitrates up to 15Mbits/sec
- **Graphics and video processing subsystem**
 - Advanced DMA engine to support 2D graphics
 - 4, 8 bit CLUT, 16bit RGB with OSD, antiflicker filtering
 - Flexible down/up-scaling of video
 - 5 graphic planes
- **Digital television interfaces**
 - CCIR-601 digital video input for decoded NTSC/PAL/SECAM
 - CCIR-601 digital video output for external scalers
 - Two-channel audio input for decoded analog TV audio
- **USB**
 - USB 2.0 Full Speed Host-Type controller and PHY
 - USB based updates and MP3/JPEG playback
- **Integrated PAL/NTSC/SECAM Video Encoder**
 - VBI (Teletext, WSS, CC) and VPS reinsertion
 - Simultaneous Component, S-Video and RGB output
 - 6 video DACs
- **Audio support**
 - Programmable audio DSP for MPEG layers 1 & 2, MP3 & WMA
 - Stereo audio DACs integrated
 - Two-channel audio output using I2S or analog
 - SPDIF output
- **Single crystal**
 - Integrated digital timing oscillator replacing external VCXO
- **Set-Top Box interfaces**
 - UARTs, I2C, IR, GPIOs
 - Glueless Guestbus interface to 8 or 16 bit flash memory
 - V.22 bis modem CODEC and DAA interface support
- **Digital Video Recording***
 - Support for single and dual tuner Digital Video Recording
 - Guestbus based ATAPI interface for hard drive
- **Advanced security***
 - Local triple DES encrypt/decrypt engine
 - 1KB OTP memory
- **256-pin PQFP package**

Integrated Digital TV Processors

Product Brief



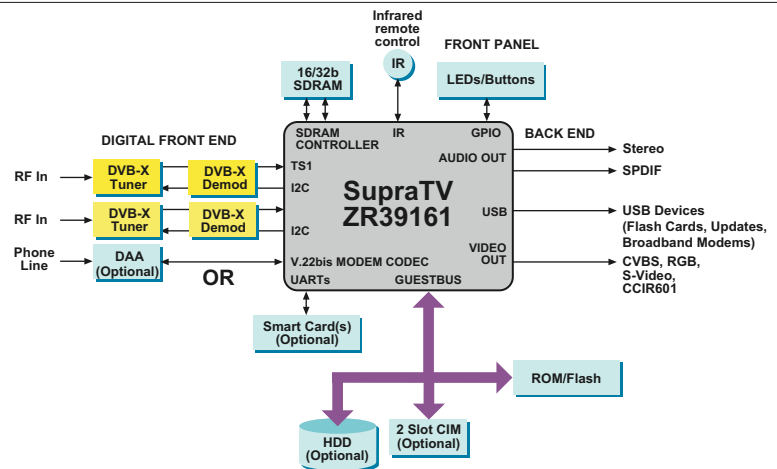
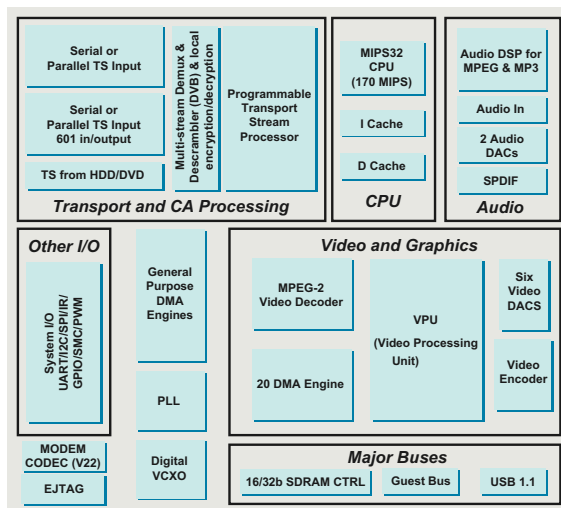
SupraTV 160 Development Platform

A comprehensive development platform is available for the SupraTV 160 family, including evaluation boards for digital terrestrial, satellite and cable-based products. An Integrated Development Environment includes a proven windows based GNU tool kit, Zoran's SiliconSoftware® registration drivers, and applications that add functions such as flash memory burning, high performance code download, software protection, a sophisticated GUI development tool, (Embedded Wizard), and an automatic code generator.

The SupraTV 160 family platform will significantly reduce the time taken to develop feature rich digital television and Set-Top Box products. The SupraTV 161 based evaluation board supports all needed peripherals and is available with a COFDM, QPSK or QAM front-end.

Single and dual tuner Digital Video Recording capabilities can be achieved by adding a hard drive, Zoran's DVR software, additional memory, and a second front end (for dual tuner DVR).

SupraTV 161 IC and Set Top Box Block Diagrams



For cable set-top boxes use DVB-C tuner & QAM demodulator
 For satellite set-top boxes use DVB-S tuner & QPSK demodulator
 For terrestrial set-top boxes use DVB-T tuner & COFDM demodulator
 For digital televisions use combined DVB-T/analog terrestrial tuner, COFDM demodulator, and PAL/SECAM/NTSC video decoder

Zoran SiliconSoftware® API Package

Zoran provides software support for the SupraTV 160 family and a documented Application Programming Interface. Based on the company's extensive DVD and HDTV experience, the API provides a stable base on which users can build their own applications.

The software stack, including the operating system (Nucleus+), is available on a royalty-free basis. Zoran's SiliconSoftware API will be supported on future SupraTV ICs. Software portability from one generation to the next minimizes project design time and effort while enabling the software to be reused.

Other components of the standard software package include an Electronic Programming Guide (EPG) for Free-To-Air services, DVB subtitle and OSD Teletext decoding, and DVB common interface module software. In addition, the SupraTV 162 and 163 integrate MHEG-5 software for the U.K. terrestrial market.

For more information, contact Zoran's Sunnyvale office or the office nearest you:

Shanghai, China	Shenzhen, China	Hong Kong	Israel	Japan	Korea	Taiwan
Zoran China Office	Zoran China Office	Zoran Asia Pacific Ltd.	Zoran Microelectronics Ltd.	Zoran Japan Office	Zoran Korea Office	Zoran Taiwan Office
Tel: 86-21-6427-6258	Tel: 86-755-8281-5777	Tel: +852-2620-5838	Tel: +972-4-8545-777	Tel: +81-3-5475-1051	Tel: +82-2-761-7471	Tel: +886-2-2659-9797
Fax: 86-21-6427-6260	Fax: 86-755-8322-0889	Fax: +852-2620-5238	Fax: +972-4-8551-550	Fax: +81-3-5475-1053	Fax: +82-2-761-7472	Fax: +886-2-2659-9595

© Copyright 2006 Zoran Corporation. All rights reserved. Zoran, the Zoran logo, SiliconSoftware and SupraTV are trademarks of Zoran Corporation. All other brand product names and company names are trademarks of their respective owners. The information in this document is believed to be reliable. However, Zoran Corporation makes no guarantee or warranty concerning the accuracy of said information and shall not be responsible for any loss or damage of whatever nature resulting from the use of, or reliance upon it. Zoran Corporation does not guarantee that the use of any information contained herein will not infringe upon patent, trademark, copyright, or rights of third parties. Zoran Corporation reserves the right to make changes in the product and/or specifications, or both, presented in this publication at any time without notice.