

# ZC930, ZMV930, ZV931 series

---

## SILICON 12V HYPERABRUPT VARACTOR DIODES

---

### Device Description

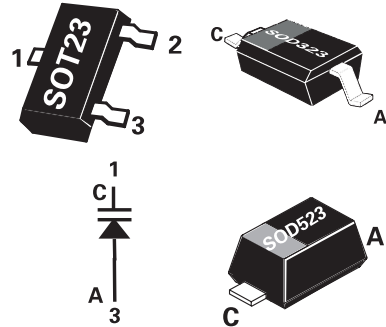
A range of silicon varactor diodes for use in frequency control and filtering. Featuring closely controlled CV characteristics and high Q. Low reverse current ensures very low phase noise performance. Available in single or dual common cathode format in a wide range of miniature surface mount packages.

### Features

- Close tolerance C-V characteristics
- Octave tuning from 0 to 6V
- Low  $I_R$  (typically 200pA)
- Excellent phase noise performance
- High Q
- Range of miniature surface mount packages

### Applications

- VCXO and TCXO
- Wireless communications
- Pagers
- Mobile radio



## ZC930, ZMV930, ZV931 series

### TUNING CHARACTERISTICS at $T_{amb} = 25^{\circ}\text{C}$

PART	Capacitance $V_R=1\text{V}$	Capacitance $V_R=2.5\text{V}$		Capacitance $V_R=4\text{V}$	Minimum Q $V_R=4\text{V}$ $f=50\text{MHz}$
	MIN pF	MIN pF	MAX pF	MAX pF	
930	8.70	4.30	5.50	2.90	200
931	13.50	6.50	7.80	4.00	300
932	17.00	8.50	10.50	5.50	200
933	42.00	18.00	27.00	12.00	150
933A	42.00	20.25	24.75	12.00	150
934	95.00	40.00	65.00	25.00	80
934A	95.00	47.25	57.75	25.00	80

### ABSOLUTE MAXIMUM RATINGS

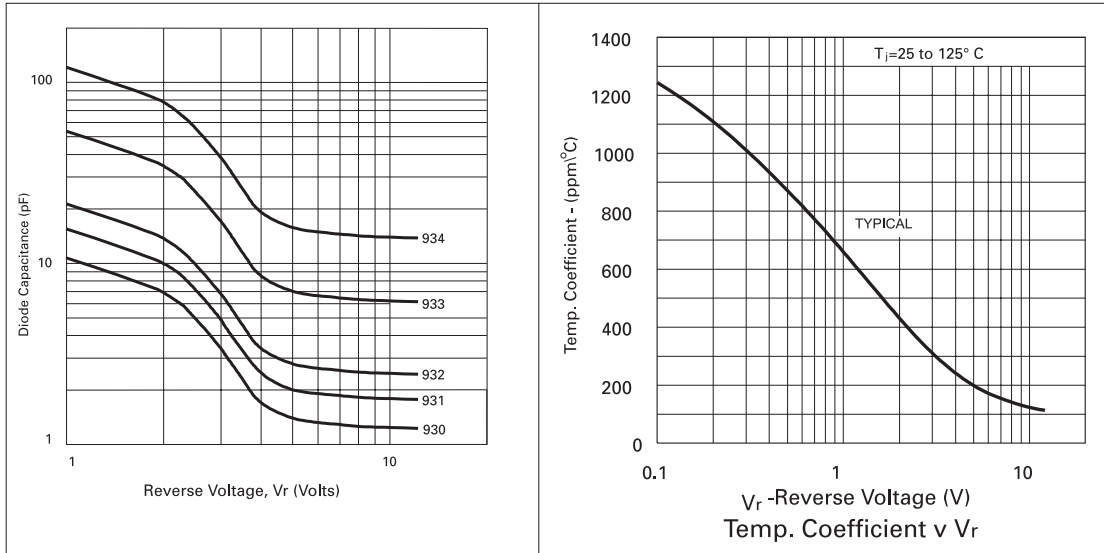
PARAMETER	SYMBOL	MAX	UNIT
Reverse voltage	$V_R$	12	V
Forward current	$I_F$	100	mA
Power dissipation at $T_{amb} = 25^{\circ}\text{C}$ SOT23	$P_{tot}$	330	mW
Power dissipation at $T_{amb} = 25^{\circ}\text{C}$ SOD323	$P_{tot}$	330	mW
Power dissipation at $T_{amb} = 25^{\circ}\text{C}$ SOD523	$P_{tot}$	250	mW
Operating and storage temperature range		-55 to +150	$^{\circ}\text{C}$

### ELECTRICAL CHARACTERISTICS at $T_{amb} = 25^{\circ}\text{C}$

PARAMETER	CONDITIONS	MIN.	TYP.	MAX.	UNIT
Reverse breakdown voltage	$I_R = 10\mu\text{A}$	12			V
Reverse voltage leakage	$V_R = 8\text{V}$		0.2	100	nA
Temperature coefficient of capacitance	$V_R = 3\text{V}, f = 1\text{MHz}$		300	400	ppCm/ $^{\circ}\text{C}$

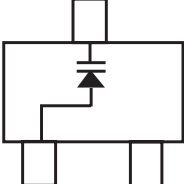


# ZC930, ZMV930, ZV931 series

## TYPICAL CHARACTERISTICS



## ZC930, ZMV930, ZV931 series

### ORDER CODES AND PART MARKING

SOT23		SOD323		SOD523	
					
ORDER CODE	PART MARK	ORDER CODE	PART MARK	ORDER CODE	PART MARK
ZC930TA	V15	ZMV930TA	AH		
ZC931TA	V14	ZMV931TA	AJ	ZV931V2TA	91
ZC932TA	V13	ZMV932TA	AK	ZV932V2TA	92
ZC933TA	V17	ZMV933TA	AL	ZV933V2TA	93
ZC933ATA	A17	ZMV933ATA	AM		
ZC934TA	V16	ZMV934TA	AN		
ZC934ATA	A16	ZMV934ATA	AO		

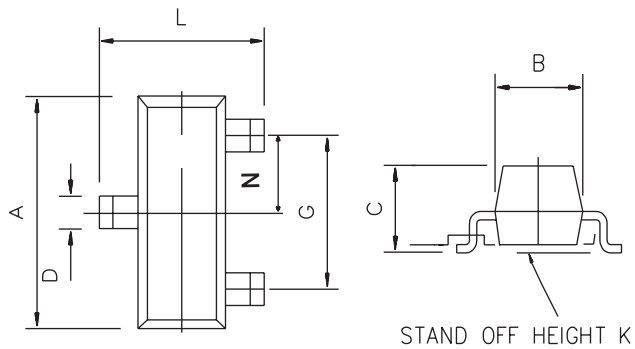
### TAPE AND REEL INFORMATION

The order codes are shown as TA which is for 7 inch reels. For 13 inch reels substitute TC in place of TA in the order code.

REEL CODE	REEL SIZE	TAPE WIDTH	QUANTITY PER REEL
TA	7 inch (180mm)	8mm	3000
TC	13 inch (330mm)	8mm	10000

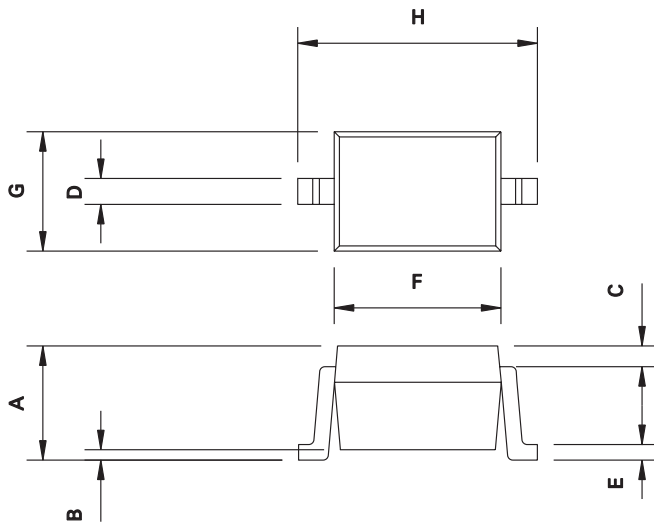
## ZC930, ZMV930, ZV931 series

### SOT23 PACKAGE DIMENSIONS



DIM	Millimetres		Inches	
	Min	Max	Min	Max
A	2.67	3.05	0.105	0.120
B	1.20	1.40	0.047	0.055
C	-	1.10	-	0.043
D	0.37	0.53	0.0145	0.021
F	0.085	0.15	0.0033	0.0059
G	NOM 1.9		NOM 0.075	
K	0.01	0.10	0.0004	0.004
L	2.10	2.50	0.0825	0.0985
N	NOM 0.95		NOM 0.037	

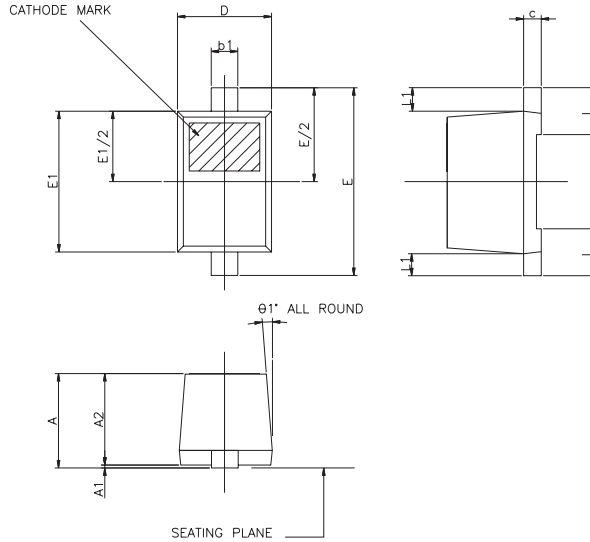
### SOD323 PACKAGE DIMENSIONS



DIM	Millimetres		Inches	
	MIN	MAX	MIN	MAX
A	0.91	1.16	0.036	0.046
B	0.0	0.1	0.0	0.004
D	0.33	0.4	0.013	0.016
E	0.127	0.2	0.005	0.008
F	1.52	1.77	0.060	0.070
G	1.11	1.37	0.044	0.054
H	2.46	2.71	0.097	0.107

# ZC930, ZMV930, ZV931 series

## SOD523 PACKAGE DIMENSIONS



	MILLIMETRES	
	MIN.	MAX.
A	—	0.800
A1	0.000	0.100
A2	0.600	0.800
b1	0.160	0.300
c	0.080	0.220
D	0.700	0.900
E	1.500	1.700
E1	1.100	1.300
L	0.200	0.400
L1	0.170	0.230
$\theta 1^\circ$	4°	10°

© Zetex plc 2001

Zetex plc  
Fields New Road  
Chadderton  
Oldham, OL9 8NP  
United Kingdom  
Telephone (44) 161 622 4422  
Fax: (44) 161 622 4420

Zetex GmbH  
Streitfeldstraße 19  
D-81673 München  
Germany  
Telefon: (49) 89 45 49 49 0  
Fax: (49) 89 45 49 49 49

Zetex Inc  
700 Veterans Memorial Hwy  
Hauppauge, NY11788  
USA  
Telephone: (631) 360 2222  
Fax: (631) 360 8222

Zetex (Asia) Ltd  
3701-04 Metroplaza, Tower 1  
Hing Fong Road  
Kwai Fong  
Hong Kong  
Telephone: (852) 26100 611  
Fax: (852) 24250 494

These offices are supported by agents and distributors in major countries world-wide.

This publication is issued to provide outline information only which (unless agreed by the Company in writing) may not be used, applied or reproduced for any purpose or form part of any order or contract or be regarded as a representation relating to the products or services concerned. The Company reserves the right to alter without notice the specification, design, price or conditions of supply of any product or service.

For the latest product information, log on to [www.zetex.com](http://www.zetex.com)

ZETEX

ISSUE 6 - JANUARY 2002