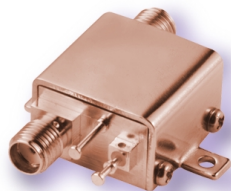


# High Isolation Amplifiers

50Ω, 0.5 to 5.9 GHz

**NEW!**  
**ZX60-M SERIES**



CASE STYLE: GC957

### Features

- from 2.8V to 5V operation
- wide bandwidth, 0.5 to 2.5 GHz and 1.5 to 5.9 GHz
- high active directivity\*, 20 dB typ.
- output power, up to +19.2 dBm typ.
- patent pending

### Applications

- buffer amplifier
- LO amplifiers for mixers
- cellular
- PCN

### Electrical Specifications (T<sub>AMB</sub>=25°C)

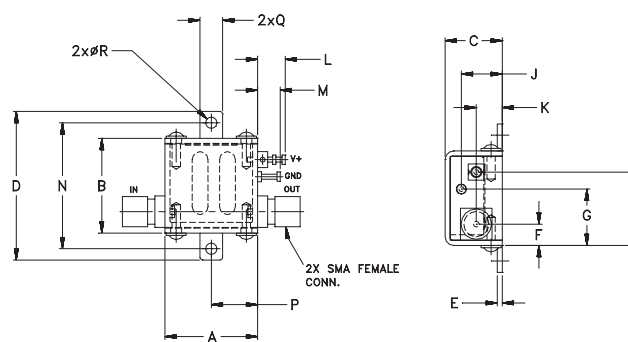
MODEL NO.	FREQ. (GHz) f <sub>L</sub> - f <sub>U</sub>	DC VOLTS (V)	GAIN, dB Typical						MAXIMUM POWER (dBm)		DYNAMIC RANGE			VSWR (:1) Typ.		ACTIVE* DIRECTIVITY (dB) Typ.	DC OPERATING CURRENT @ Pin 3 (mA)		PRICE \$ Qty. (1-9)	
			over frequency, GHz						Output (1 dB Comp.) Typ. f <sub>L</sub> - f <sub>U</sub>	NF (dB) Typ. at 1 GHz	IP3 (dBm) Typ. at 1 GHz	IP3 (dBm) Typ. at 2 GHz	In	Out	Typ.		Typ.	Max.		
			0.5	1.0	1.5	2.0	2.5	Min. at 2 GHz												
ZX60-2510M	0.5-2.5	5.0	10.3	12.7	12.9	12.5	12.1	10.4	17.1	15.1	5.4	28.8	26.5	1.5	1.6	20	69	95	59.95	
		2.8	9.1	11.2	11.2	10.7	10.3	—	13.7	13.0	5.4	24.9	23.4	1.5	1.6	20	63	—		
ZX60-2514M	0.5-2.5	5.0	14.1	16.5	16.4	15.7	14.1	14.0	18.3	16.2	4.8	30.3	27.8	1.5	1.7	20	75	90	59.95	
		2.8	12.9	14.9	14.8	14.3	13.0	—	14.3	14.2	4.9	26.0	24.9	1.5	1.7	20	67	—		
ZX60-2522M	0.5-2.5	5.0	18.7	22.5	23.5	23.3	21.7	21.5	18.0	15.8	3.0	30.6	28.8	1.5	1.7	17	86	95	59.95	
		2.8	17.2	20.2	20.6	20.6	20.0	—	14.4	14.2	3.0	25.7	25.6	1.4	1.8	20	80	—		
ZX60-5916M	1.5-5.9	5.0	over frequency, GHz					14.5	15.7	11.5	12.8	2 GHz	2 GHz	5.9 GHz	2.2	1.2	20	73	96	59.95
		2.8	13.6	14.6	14.7	16.5	11.5					—	7.0	23.5						

\*active directivity=isolation-gain

### Maximum Ratings

Operating Temperature	-40°C to +85°C
Storage Temperature	-55°C to +100°C
DC Voltage	7V
Input Power (no damage)	10 dBm
Power	500mW

### Outline Drawing



### Outline Dimensions (inch/mm)

A	B	C	D	E	F	G	H	J
0.74	.75	.46	1.18	.04	.17	.45	.59	.33
18.8	19.1	11.6	30.0	1.0	4.3	11.4	14.9	8.3
K	L	M	N	P	Q	R	wt.	
.21	.22	.18	1.00	.37	.18	.09	grams	
5.3	5.6	4.6	25.4	9.4	4.6	2.3	23.0	

REV. A  
M93259  
ZX60-2510M EDR-6123  
ZX60-2514M EDR-6137  
ZX60-5916M EDR-6128  
ZX60-2522M EDR-6127  
R/N/DCP  
040706  
page 1 of 2



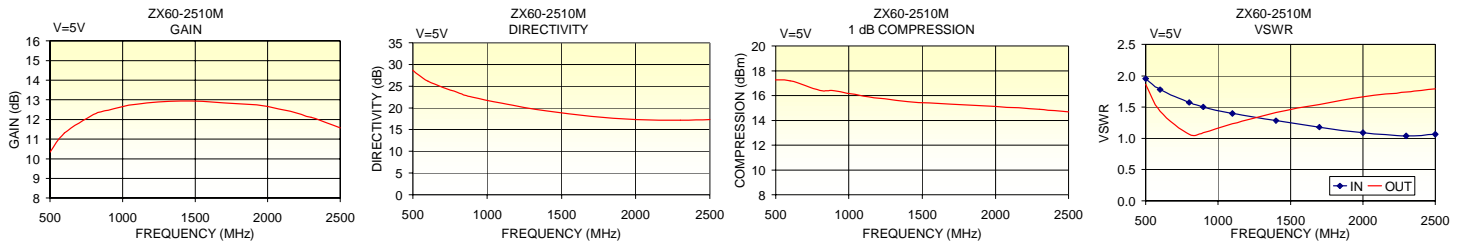
INTERNET <http://www.minicircuits.com>

P.O. Box 350166, Brooklyn, New York 11235-0003 (718) 934-4500 Fax (718) 332-4661

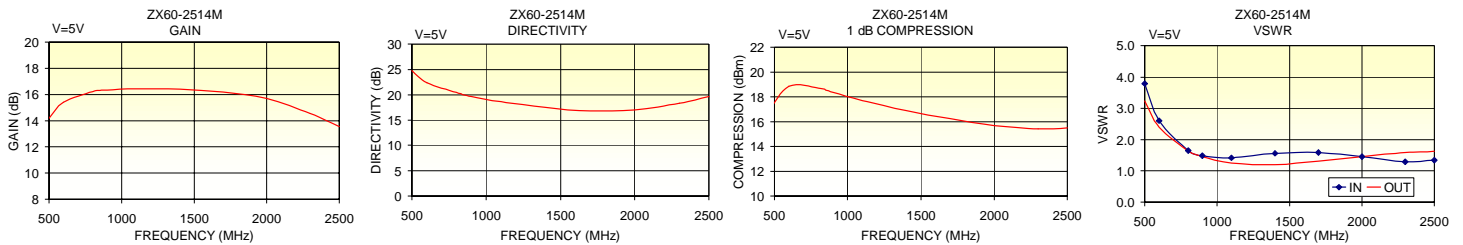
Distribution Centers NORTH AMERICA 800-654-7949 • 417-335-5935 • Fax 417-335-5945 • EUROPE 44-1252-832600 • Fax 44-1252-837010

Mini-Circuits ISO 9001 & ISO 14001 Certified

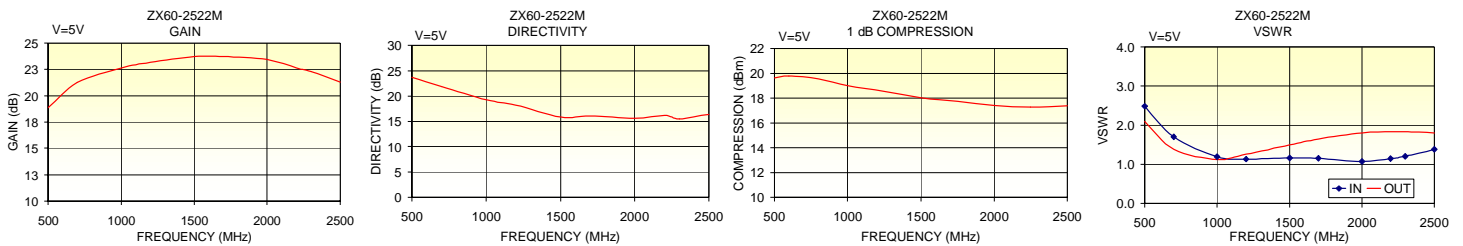
## ZX60-2510M



## ZX60-2514M



## ZX60-2522M



## ZX60-5916M

