

ZXCL200

ULTRA SMALL MICROPOWER SC70 2V 100mA REGULATOR

DESCRIPTION

The ZXCL200 is a very small 2 volt regulator designed for use in low power and severely space limited applications.

Supply current is minimised with a ground pin current of only 40µA at full 100mA load. Logic control allows the device to be shut down, consuming typically less than 10nA. These features make it ideal for battery powered applications where power economy is critical.

The part has been designed with space sensitive systems in mind. It is available in the ultra small SC70 package, which is half the size of other SOT23 based regulator devices

For applications requiring improved performance over alternative devices, the ZXCL200 is also offered in the 5 pin SOT23 package with an industry standard pinout.

The device features thermal overload and over-current protection.

The ZXCL200 is manufactured using CMOS processing, however advanced design techniques mean that output noise is improved even when compared to other bipolar devices.

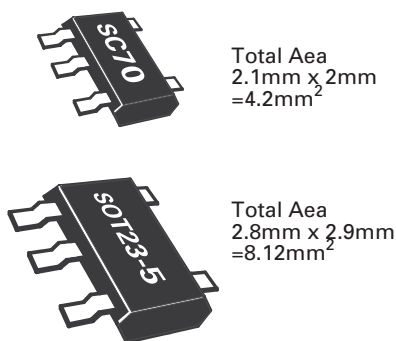
FEATURES

- 5-pin SC70 package for the ultimate in space saving
- 5-pin SOT23 industry standard pinout
- 40µA ground pin current with full 100mA load
- Typically less than 10nA ground pin current on shutdown
- 2 volt output
- Very low noise, without bypass capacitor
- Thermal overload and over-current protection
- -40 to +85°C operating temperature range

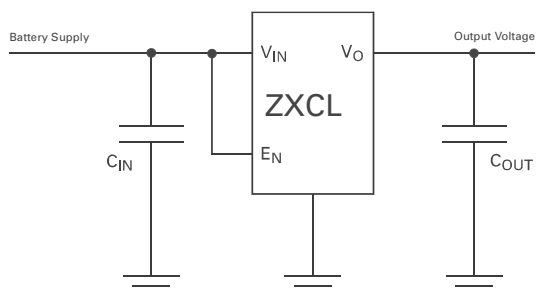
APPLICATIONS

- Cellular and Cordless phones
- Palmtop and laptop computers
- PDA
- Hand held instruments
- Camera, Camcorder, Personal Stereo
- PCMCIA cards
- Portable and Battery-powered equipment

PACKAGE FOOTPRINT



TYPICAL APPLICATION CIRCUIT



ZXCL200

ABSOLUTE MAXIMUM RATINGS

Terminal Voltage with respect to GND

V_{IN}	-0.3V to 7.0V	Output short circuit duration	Infinite
E_N	-0.3V to 10V	Continuous Power Dissipation	Internally limited
V_O	-0.3V to 5.5V	Operating Temperature Range	-40°C to + 85°C
Package Power Dissipation ($T_A=25^\circ\text{C}$)		Storage Temperature Range	-55°C to + 125°C
SC70	300mW (Note 1)		
SOT23-5	450mW (Note 1)		

Stresses beyond those listed under "Absolute Maximum Ratings" may cause permanent damage to the device. These are stress ratings only, and functional operation of the device at these or any other conditions beyond those indicated in the operational sections of the specifications is not implied. Exposure to absolute maximum conditions for extended periods may affect device reliability.

ELECTRICAL CHARACTERISTICS

$V_{IN} = V_O + 0.5V$, typical values at $T_A=25^\circ\text{C}$ (Unless otherwise stated)

SYMBOL	PARAMETER	CONDITIONS	LIMITS			UNITS
			MIN	TYP	MAX	
V_{IN}	Input Voltage	$T_A=-40^\circ\text{C}$	(note2)		5.5	V
V_O	Output Voltage (Note 3)	$I_O = 1\text{mA}$ $I_O = 100\text{mA}$ $V_O + 0.5V < V_{IN} < V_{IN\text{ max}}$	1.96 1.94	2	2.04 2.06	V V
$\Delta V_O/\Delta T$	Output Voltage Temperature Coefficient			-15		ppm/ $^\circ\text{C}$
$I_{O(\text{MAX})}$	Output Current		100			mA
I_{OLIM}	Over Current Limit		105		750	mA
I_Q	Ground pin current	No Load $I_O = 100\text{mA}$		25 40	50 100	μA μA
ΔV_{LNR}	Line Regulation	$V_{IN}=(V_O+0.5V)$ to 5.5V, $I_O=1\text{mA}$		0.02	0.1	%/V
ΔV_{LDR}	Load Regulation	$I_O=1\text{mA}$ to 100mA		0.01	0.04	%/mA
E_N	Output Noise Voltage	$f=10\text{Hz}$ to 100kHz, $C_O=10\mu\text{F}$,		50		$\mu\text{V rms}$
V_{ENH}	Enable pin voltage for normal operation	$T_A = -40^\circ\text{C}$	2 2.2		10	V
V_{ENL}	Enable pin voltage for output shutdown		0		0.8	V

Device testing is performed at $T_A=25^\circ\text{C}$. Device thermal performance is guaranteed by design.

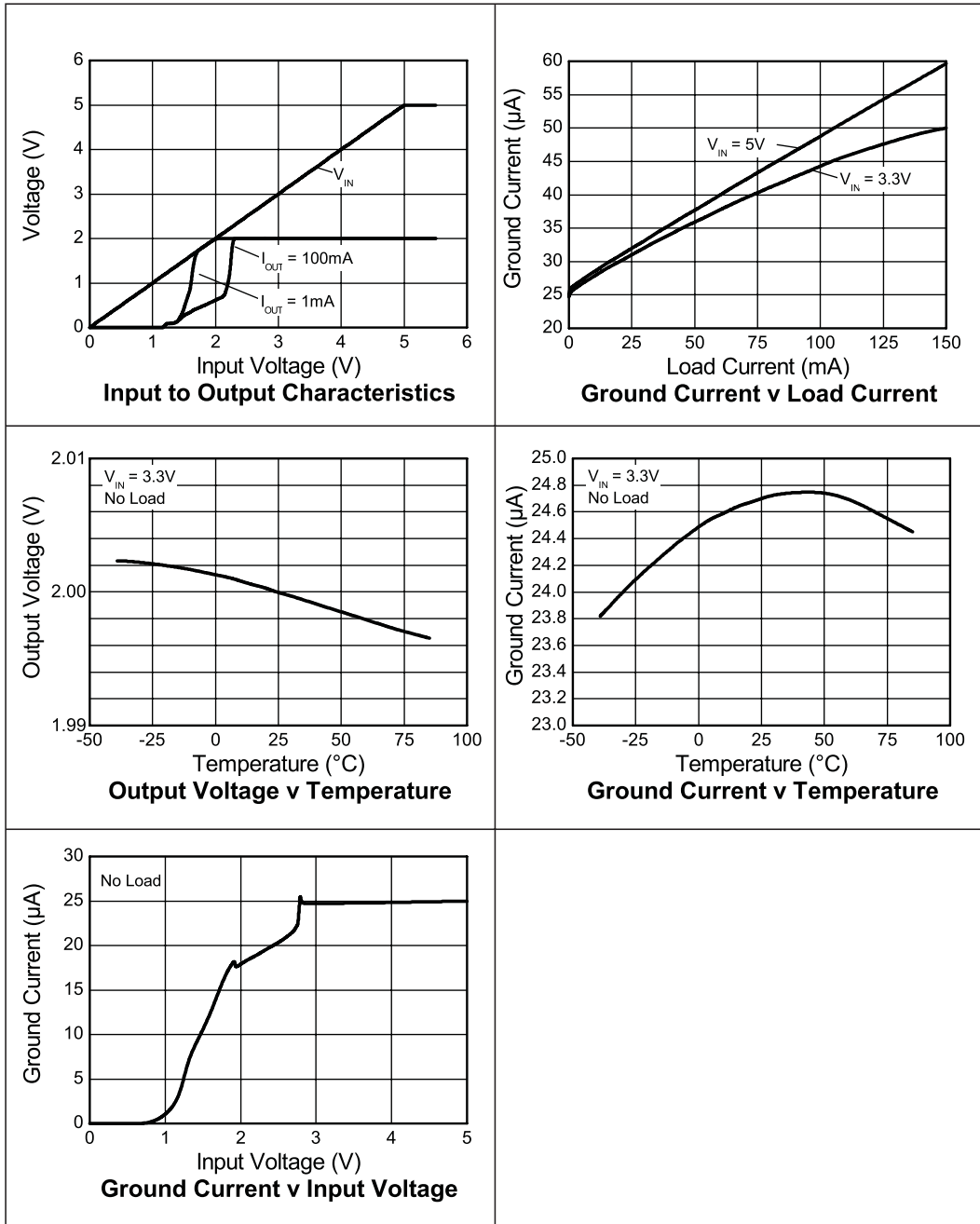
Note 1: Maximum power dissipation is calculated assuming the device is mounted on a PCB measuring 2 inches square

Note 2: Output Voltage will start to rise when V_{IN} exceeds a value or approximately 1.3V. For normal operation, $V_{IN}(\text{min}) > V_{OUT}(\text{nom}) + 0.5V$.

Note 3: Nominal value of V_O is defined at $V_{IN}=V_O+0.5V$.

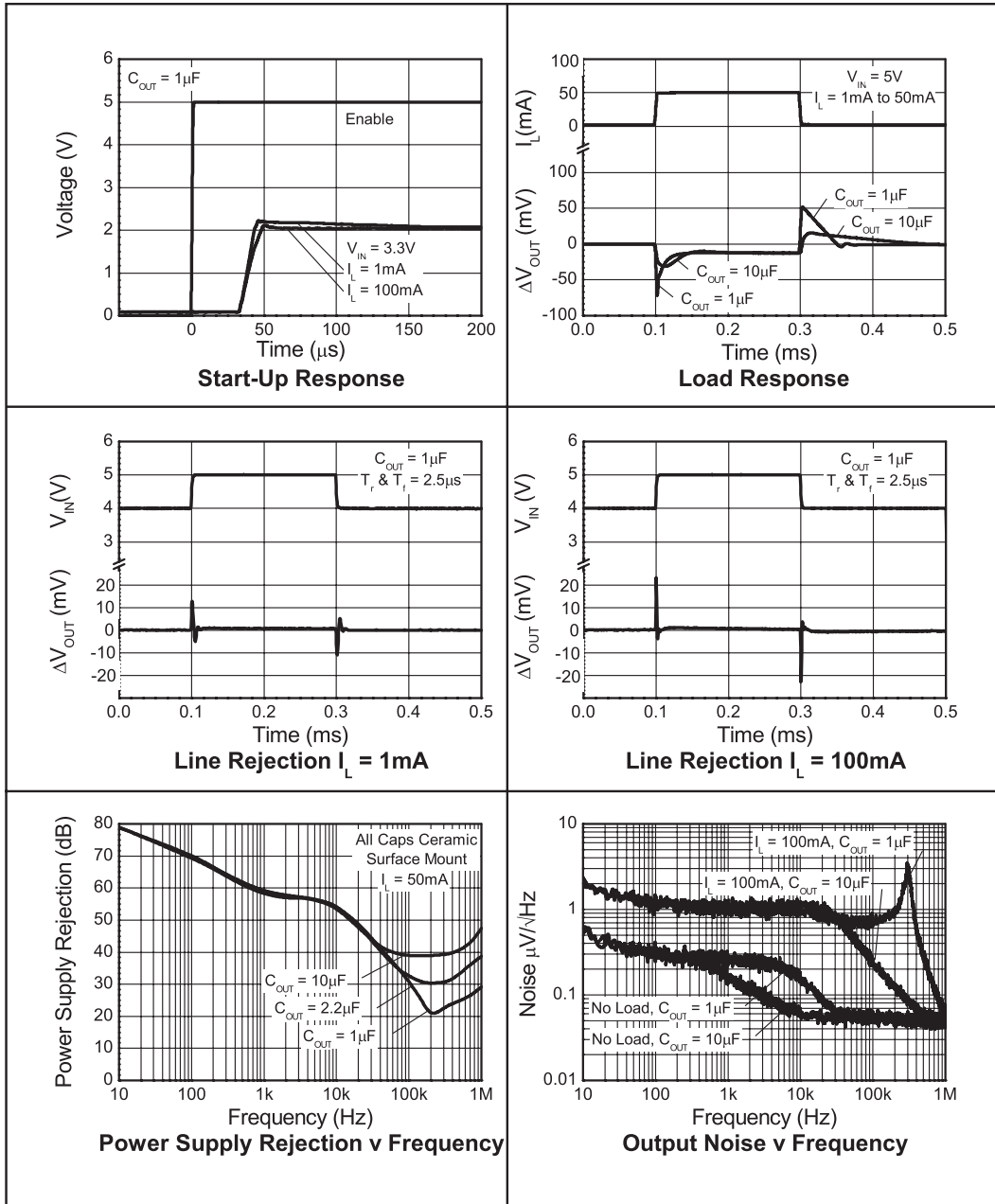
ZXCL200

TYPICAL CHARACTERISTICS



ZXCL200

TYPICAL CHARACTERISTICS

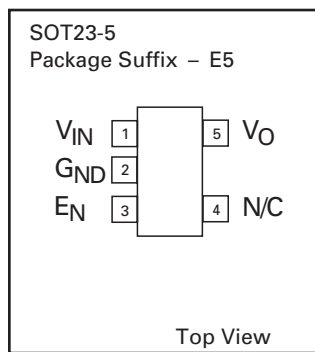


ZXCL200

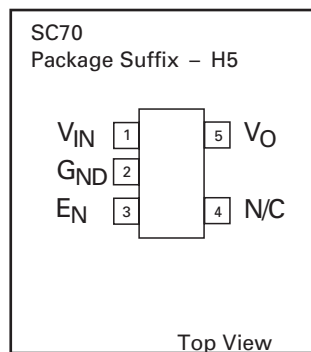
PIN DESCRIPTION

Pin Name	Pin Function
V_{IN}	Supply Voltage
G_{ND}	Ground
E_N	Active HIGH Enable input. TTL/CMOS logic compatible. Connect to V_{IN} or logic high for normal operation
N/C	No Connection
V_O	Regulator Output

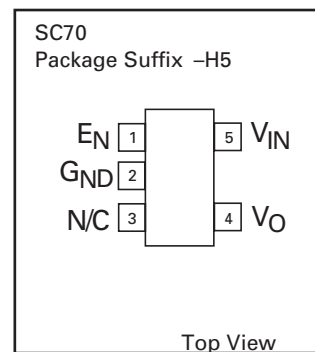
CONNECTION DIAGRAMS



ZXCLXXX

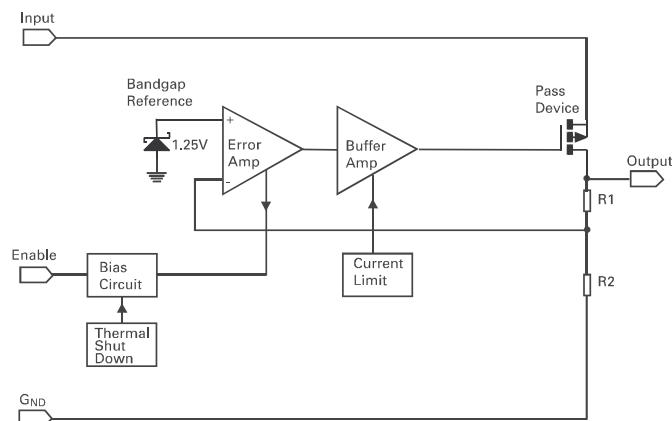


ZXCLXXX



ZXCL1XXX

SCHEMATIC DIAGRAM



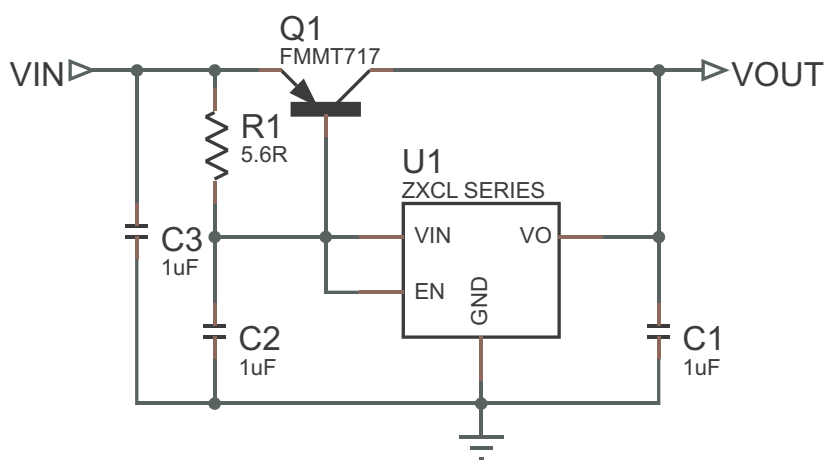
ZXCL200

Input to Output Diode

In common with many other regulators, the ZXCL200 device has an inherent diode associated with the output series pass transistor. This diode has its anode connected to the output and its cathode to the input. The internal diode is normally reverse biased, but will conduct if the output is forced above the input by more than a V_{BE} (approximately 0.6V). Current will then flow from V_{out} to V_{in} . For safe operation, the maximum current in this diode should be limited to 5mA continuous and 30mA peak. An external schottky diode may be used to provide protection when this condition cannot be satisfied.

Increased Output current

Any ZXCL series device may be used in conjunction with an external PNP transistor to boost the output current capability. In the application circuit shown below, a FM717 device is employed as the external pass element. This SOT23 device can supply up to 2.5A maximum current subject to the thermal dissipation limits of the package (625mW). Alternative devices may be used to supply higher levels of current. Note that with this arrangement, the dropout voltage will be increased by the V_{BE} drop of the external device. Also, care should be taken to protect the pass transistor in the event of excessive output current.



Scheme to boost output current to 2A

ZXCL200

APPLICATIONS INFORMATION

Enable Control

A TTL compatible input is provided to allow the regulator to be shut down. A low voltage on the Enable pin puts the device into shutdown mode. In this mode the regulator circuit is switched off and the quiescent current reduces to virtually zero (typically less than 10nA). A high voltage on the Enable pin ensures normal operation.

The Enable pin can be connected to V_{IN} or driven from an independent source of up to 10V maximum. (e.g. CMOS logic) for normal operation. There is no clamp diode from the Enable pin to V_{IN} , so the V_{IN} pin may be at any voltage within its operating range irrespective of the voltage on the Enable pin.

Current Limit

The ZXCL200 device includes a current limit circuit which restricts the maximum output current flow to typically 200mA. Practically the range of over-current should be considered as minimum 105mA to maximum 750mA. The device's robust design means that an output short circuit to any voltage between ground and V_{OUT} can be tolerated for an indefinite period.

Thermal Overload

Thermal overload protection is included on chip. When the device junction temperature exceeds a minimum 125°C the device will shut down. The sense circuit will re-activate the output as the device cools. It will then cycle until the overload is removed. The thermal overload protection will be activated when high load currents or high input to output voltage differentials cause excess dissipation in the device.

Start up delay

A small amount of hysteresis is provided on the Enable pin to ensure clean switching. This feature can be used to introduce a start up delay if required. Addition of a simple RC network on the Enable pin provides this function. The following diagram illustrates this circuit connection. The equation provided enables calculation of the delay period.

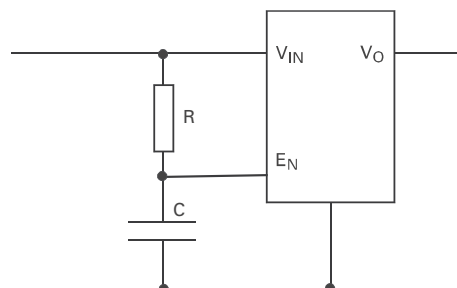


Figure 1
Circuit Connection

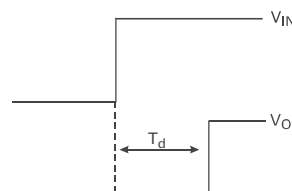


Figure 2
Start up delay (T_d)

$$T_{d(NOM)} = RC \ln \left(\frac{V_{IN}}{V_{IN} - 1.5} \right)$$

Calculation of start up delay as above

ZXCL200

APPLICATIONS INFORMATION (Cont)

Power Dissipation

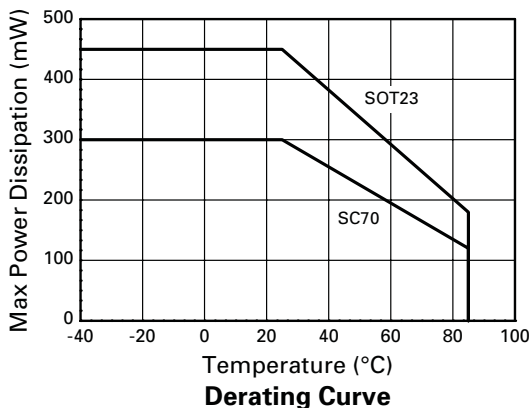
The maximum allowable power dissipation of the device for normal operation (P_{max}), is a function of the package junction to ambient thermal resistance (θ_{ja}), maximum junction temperature (T_{jmax}), and ambient temperature (T_{amb}), according to the expression:

$$P_{max} = (T_{jmax} - T_{amb}) / \theta_{ja}$$

The maximum output current (I_{max}) at a given value of Input voltage (V_{IN}) and output voltage (V_{OUT}) is then given by

$$I_{max} = P_{max} / (V_{IN} - V_{OUT})$$

The value of θ_{ja} is strongly dependent upon the type of PC board used. Using the SC70 package it will range from approximately 280 °C/W for a multi-layer board to around 450°C/W for a single sided board. It will range from 180°C/W to 300°C/W for the SOT23-5 package. To avoid entering the thermal shutdown state, T_{jmax} should be assumed to be 125°C and I_{max} less than the over-current limit, (I_{OLIM}). Power derating for the SC70 and SOT23-5 packages is shown in the following graph.



Capacitor Selection and Regulator Stability

The device is designed to operate with all types of output capacitor, including tantalum and low ESR ceramic. For stability over the full operating range from no load to maximum load, an output capacitor with a minimum value of 1µF is recommended, although this can be increased without limit to improve load transient performance. Higher values of output capacitor will also reduce output noise. Capacitors with ESR less than 0.5Ω are recommended for best results.

An input capacitor of 1µF (ceramic or tantalum) is recommended to filter supply noise at the device input and will improve ripple rejection.

The input and output capacitors should be positioned close to the device, and a ground plane board layout should be used to minimise the effects of parasitic track resistance.

Ground Current

The use of a PMOS device ensures a low value of ground current under all conditions including dropout, start-up and maximum load.

Power Supply Rejection and Load Transient Response

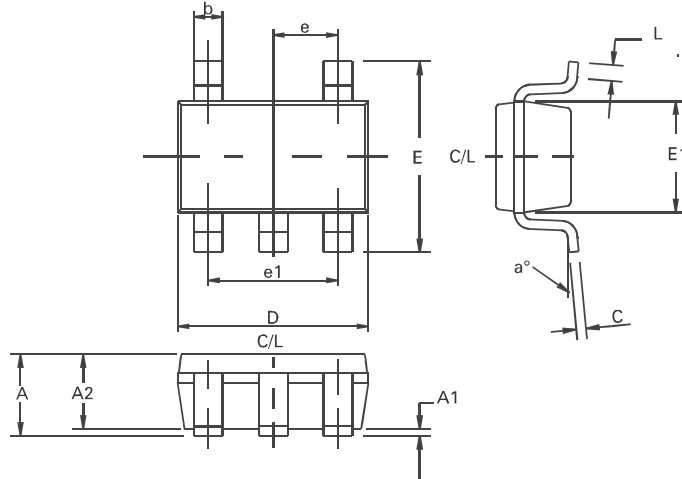
Line and Load transient response graphs are shown in the typical characteristics.

These show both the DC and dynamic shift in the output voltage with step changes of input voltage and load current, and how this is affected by the output capacitor.

If improved transient response is required, then an output capacitor with lower ESR value should be used. Larger capacitors will reduce over/undershoot, but will increase the settling time. Best results are obtained using a ground plane layout to minimise board parasitics.

ZXCL200

PACKAGE DIMENSIONS



SOT23-5		
DIM	Millimetres	
	MIN	MAX
A	0.90	1.45
A1	0.00	0.15
A2	0.90	1.3
b	0.35	0.50
C	0.09	0.20
D	2.80	3.00
E	2.60	3.00
E1	1.50	1.75
e	0.95 REF	
e1	1.90 REF	
L	0.10	0.60
a°	0	10

ORDERING INFORMATION

DEVICE	Output Voltage V	Package	Partmarking
ZXCL200H5	2.0	SC70	L20A
ZXCL1200H5	2.0	SC70	L20C
ZXCL200E5	2.0	SOT23-5	L20B

SC70		
DIM	Millimetres	
	MIN	MAX
A		1.00
A1		0.10
A2	0.70	
b	0.15	
C	0.08	
D	2.00BSC	
E	2.10BSC	
E1	1.25BSC	
e	0.65BSC	
e1	1.30BSC	
L	0.26	0.46
a°	0	8

© Zetex plc 2001

Zetex plc
Fields New Road
Chadderton
Oldham, OL9 8NP
United Kingdom
Telephone (44) 161 622 4422
Fax: (44) 161 622 4420

Zetex GmbH
Streitfeldstraße 19
D-81673 München
Germany
Telefon: (49) 89 45 49 49 0
Fax: (49) 89 45 49 49 49

Zetex Inc
Suite 315
700 Veterans Memorial Highway
Hauppauge NY11788
USA
Telephone: (631) 360 2222
Fax: (631) 360 8222

Zetex (Asia) Ltd
3701-04 Metroplaza, Tower 1
Hing Fong Road
Kwai Fong, Hong Kong
China
Telephone: (852) 26100 611
Fax: (852) 24250 494

These offices are supported by agents and distributors in major countries world-wide.

This publication is issued to provide outline information only which (unless agreed by the Company in writing) may not be used, applied or reproduced for any purpose or form part of any order or contract or be regarded as a representation relating to the products or services concerned. The Company reserves the right to alter without notice the specification, design, price or conditions of supply of any product or service.

For the latest product information, log on to www.zetex.com