

ZXCT1051

Precision wide input range current monitor

Description

The ZXCT1051 is a wide input range current monitor, which operates over a range of input voltages from ground up to $V_{CC}-2V$. As a result the ZXCT1051 can be used on the high or low side of the load.

The very low offset voltage enables a typical accuracy of 1% for sense voltages of only 30mV, giving better tolerances for small sense resistors necessary at higher currents.

The ZXCT1051 provides a fixed gain of 10 thereby removing the need for an additional resistor.

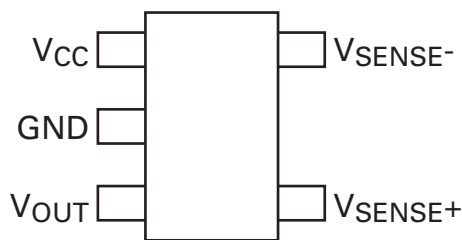
Features

- Accurate down to end current sensing
- Output voltage scaling x10
- 0 to $V_{CC}-2V$ sense input range
- 2.7 to 20V supply range
- 50 μA quiescent current
- 1% typical accuracy
- SOT23-5 package

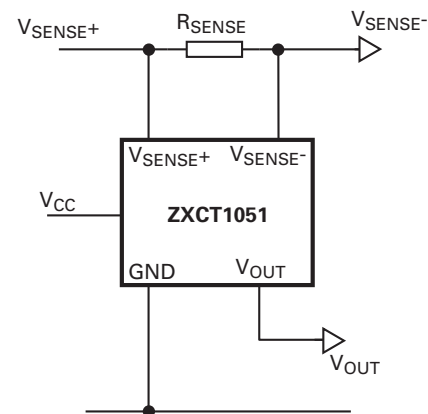
Applications

- Power supply
- DC motor and solenoid control
- Battery management
- Over current monitor
- Power management
- Short circuit detection

Pin connections



Typical application circuit



Ordering information

Order code	Package	Partmark	Reel size (inches)	Tape width (mm)	Quantity per reel
ZXCT1051E5TA	SOT23-5	1051	7	8	3,000

Absolute maximum ratings

V_{CC} max.	20V
Voltage on V_{SENSE-} and V_{SENSE+}	-0.6 to V_{CC}
Voltage on all other pins	-0.6V and $V_{CC} + 0.6V$
V_{SENSE} "(V_{SENSE+}) - (V_{SENSE-})"	500 mV
Operating temperature, T_A	-40 to 125°C
Storage temperature	-55 to 150°C
Maximum junction temperature	150°C
Package power dissipation	300mW at $T_A = 25^\circ\text{C}$ (de-rate to zero at 150°C)

Operation above the absolute maximum rating may cause device failure. Operation at the absolute maximum ratings, for extended periods, may reduce device reliability.

Recommended operating conditions

Parameter		Min.	Max.	Units
V_{SENSE+}	Common-mode sense input range	0	$V_{CC} - 2$	V
V_{CC}	Supply voltage range	2.7	20	V
V_{SENSE}	Differential sense input voltage range	0	0.3	V
V_{OUT}	Output voltage range	0	$V_{CC} - 2$	V
T_A	Ambient temperature range	-40	125	°C

Pin function table

PIN	Name	Description
1	V_{CC}	This is the analog supply and provides power to internal circuitry
2	GND	Ground pin
3	OUT	Output voltage pin. NMOS source follower with 20µA bias to ground
4	V_{SENSE+}	This is the positive input of the current monitor and has an input range from 0V up to $V_{CC} - 2V$. The current through this pin varies with differential sense voltage
5	V_{SENSE-}	This is the negative input of the current monitor and has an input range from 0V up to $V_{CC} - 2V$

Electrical characteristics

Test conditions $T_A = 25^\circ\text{C}$, $V_{\text{SENSE}^+} = 10\text{V}$, $V_{\text{CC}} = 12\text{V}$, $V_{\text{SENSE}} = 100\text{mV}$

Symbol	Parameter	Conditions	Min.	Typ.	Max.	Units	
I_Q	V_{CC} pin current	$V_{\text{SENSE}} = 0\text{V}$		45	70	μA	
V_{OUT}	Output voltage	$V_{\text{SENSE}} = 0\text{V}$ $= 30\text{mV}$ $= 100\text{mV}$ $= 150\text{mV}$	0 291 0.98 1.45	3 300 1.00 1.50	10 309 1.02 1.55	mV mV V V	
I_{SENSE^+}	V_{SENSE^+} input current	$V_{\text{SENSE}} = 0\text{V}$		TBD	TBD	μA	
I_{SENSE^-}	V_{SENSE^-} input current	$V_{\text{SENSE}} = 0\text{V}$		15	150	nA	
$V_{\text{OUT TC}}$	V_{OUT} variation with temperature	See note (b)			300	ppm/ $^\circ\text{C}$	
R_{OUT}	Output resistance		2.5	3.75	5	$\text{k}\Omega$	
Gain	$V_{\text{OUT}}/V_{\text{SENSE}}$			10			
Accuracy	Total output error		-2		2	%	
BW	Bandwidth	$V_{\text{SENSE}(\text{DC})} = 10\text{mV}$	$V_{\text{SENSE}(\text{AC})} = 10\text{mV}_{\text{PP}}$ $\text{CL} = 5\text{pF}$		300		kHz
		$V_{\text{SENSE}(\text{DC})} = 100\text{mV}$			1		MHz
PSRR	Power supply rejection ratio	$V_{\text{CC}} = 2.7\text{V to } 20\text{V}$ $V_{\text{SENSE}^+} = 0.7\text{V}$	TBD	TBD		dB	
CMRR	Common mode rejection ratio	$V_{\text{CC}} = 20\text{V}$ $V_{\text{SENSE}^+} = 0 \text{ to } 18\text{V}$	TBD	TBD		dB	

NOTES:

(a) $V_{\text{SENSE}} = "V_{\text{SENSE}^+}" - "V_{\text{SENSE}^-}"$

(b) Temperature dependent measurements are extracted from characterization and simulation results.

Typical characteristics

Test conditions unless otherwise stated: $T_A = 25^\circ\text{C}$, $V_{CC} = 12\text{V}$, $V_{\text{SENSE}^+} = 10\text{V}$, $V_{\text{SENSE}} = 100\text{mV}$

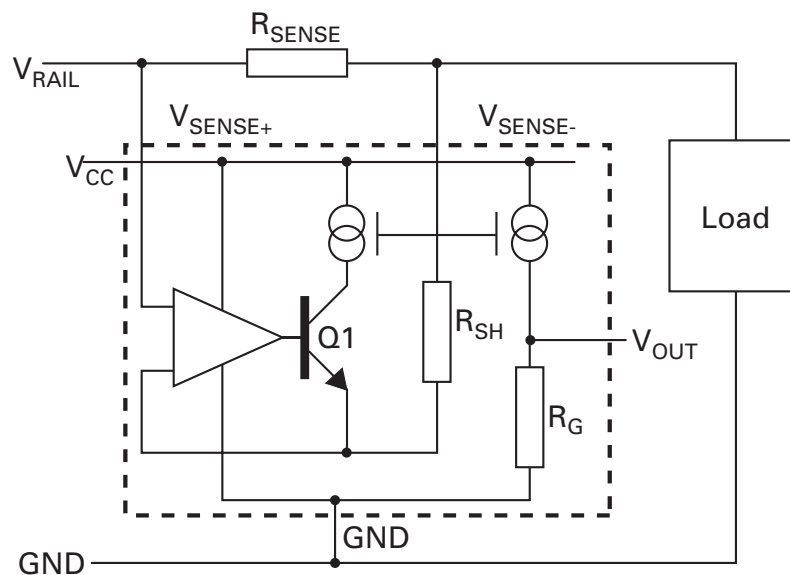
DC characteristics		
Y-axis	X-axis	Variables
I_{CC}	V_{CC} (0 to 20V)	$T_A = -40, 25, 85, 125^\circ\text{C}$, $V_{\text{SENSE}} = 0\text{V}$ $V_{\text{SENSE}^+} = 0\text{V}$
	V_{CC} (2 to 20V)	$T_A = -40, 25, 85, 125^\circ\text{C}$, $V_{\text{SENSE}} = 0\text{V}$ $V_{\text{SENSE}^+} = V_{CC} - 2\text{V}$
I_{SENSE^+}	V_{SENSE^+} (0 to 18V)	$T_A = 25^\circ\text{C}$, $V_{\text{SENSE}} = 0\text{V}$, $V_{CC} = 20\text{V}$
I_{SENSE^+}	T_A	$V_{\text{SENSE}} = 0\text{V}$, $V_{\text{SENSE}^+} = 18\text{V}$ $V_{CC} = 20\text{V}$
I_{SENSE^-}	V_{SENSE^+} (0 to 18V)	$T_A = 25^\circ\text{C}$, $V_{\text{SENSE}} = 0\text{V}$, $V_{CC} = 20\text{V}$
V_{OUT}	V_{SENSE}	$T_A = -40^\circ\text{C}$, 0°C , 25°C , 85°C , 125°C .
V_{OUT}	T_A	$V_{\text{SENSE}} = 10\text{mV}$, 50mV , 100mV .
V_{OH}	I_{OH} source	Output source current swept $T_A = -40^\circ\text{C}$, 25°C , 125°C .
V_{OL}	I_{OL} sink	
Differential gain	V_{SENSE}	Differential sense voltage swept and differential gain calculated
ΔV_{OUT}	V_{SENSE^+} (0 to 18V)	$V_{\text{SENSE}} = 10\text{mV}$, 50mV , 100mV , 150mV $T_A = -40^\circ\text{C}$, 0°C , 25°C , 85°C , 125°C .
ΔV_{OUT}	V_{CC} (0 to 20V)	$V_{\text{SENSE}} = 10\text{mV}$, 50mV , 100mV , 150mV $T_A = -40^\circ\text{C}$, 0°C , 25°C , 85°C , 125°C .
AC and transient characteristics		
Small signal bandwidth	Frequency	$V_{\text{SENSE}(\text{DC})} = 10\text{mV}$, $V_{\text{SENSE}(\text{AC})} = 10\text{mV}_{\text{PP}}$ $V_{\text{SENSE}(\text{DC})} = 100\text{mV}$, $V_{\text{SENSE}(\text{AC})} = 10\text{mV}_{\text{PP}}$
Large signal response	Time	$V_{\text{SENSE}^+} = 12\text{V}$, $V_{\text{SENSE}^-} = 0\text{V}$ to -0.2V to $+0.2\text{V}$ to 0V
Small signal response	Time	$V_{\text{SENSE}^+} = 12\text{V}$, $V_{\text{SENSE}^-} = 0\text{V}$ to -0.01V to $+0.1\text{V}$ to 0V
PSRR	Frequency	$V_{CC(\text{AC})} = 10\text{mV}_{\text{PP}}$
CMRR	Frequency	$V_{\text{SENSE}^+(\text{AC})} = 10\text{mV}_{\text{PP}}$

Application information

The ZXCT1051 is Zetex' first current monitor with a separate power supply pin. All biasing for the internal amplifiers comes from its separate V_{CC} input and is not 'line powered', unlike the ZXCT1021.

This means that at very small sense voltages the ZXCT1051 draws very little current ($<1\mu A$) from the lines being sensed.

The separate V_{CC} pin enables the ZXCT1051 to be operated at sense line voltages down to 0V, where the ZXCT1021 would switch off. This feature enables the ZXCT1051 to be used to sense the currents flowing through lines that have been shorted to ground and is Zetex' first current monitor to do this.



Basic operation

Load current from V_{IN} is drawn through R_{SENSE} developing a voltage V_{SENSE} across the ZXCT1051.

The internal amplifier forces V_{SENSE} across internal resistance R_{SH} causing a current to flow through transistor Q1. This current is then converted to a voltage by R_G . A ratio of 10:1 between R_{SH} and R_G creates the fixed gain of 10 with an output impedance equal to R_G (see electrical characteristics for output current-voltage characteristics).

The gain equation of the ZXCT1051 is:

$$V_{SENSE} = I_L R_{SENSE} \frac{R_G}{R_{SH}} \times 1$$

The maximum differential input voltage, V_{SENSE} , is 150mV ($I_L * R_{SENSE}$); however voltages up to 500mV will not damage it. This can be increased further by the inclusion of a resistor, R_{LIM} , between V_{SENSE-} pin and the load.

For best performance R_{SENSE} should be connected as close to the V_{SENSE+} and V_{SENSE-} pins thus minimizing any series resistance with R_{SENSE} .

ZXCT1051

The ZXCT1051 has been designed to allow it to operate from supplies (V_{CC}) ranging from 2.7V to 20V while sensing common mode signals from 0V up to $V_{CC} - 2V$.

When choosing appropriate values for R_{SENSE} a compromise must be reached between in-line signal loss (including potential power dissipation effects) and small signal accuracy.

Higher values for R_{SENSE} gives better accuracy at low load currents by reducing the inaccuracies due to internal offsets. For best operation the ZXCT1051 has been designed to operate with V_{SENSE} of the order of 50mV to 150mV.

Due to the very nature of current monitors they tend to saturate at very low sense voltages. This is due to them being operated from single supply and that the basic configuration is that of a unipolar voltage to current to voltage converter. The internal amplifiers at the heart of the current monitor may well have a bipolar offset voltage but the output cannot go negative.

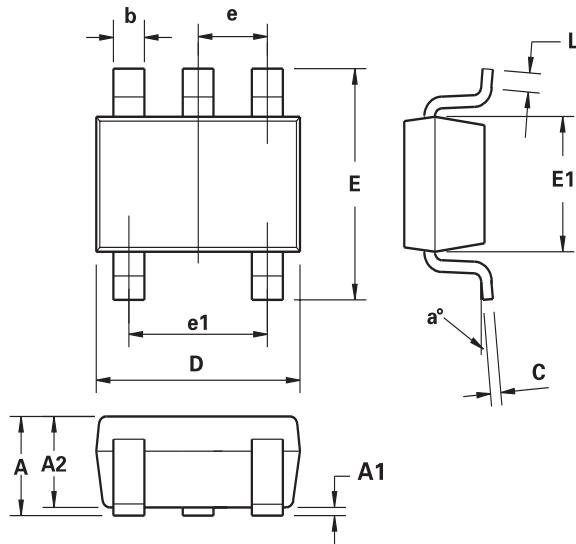
For this reason the ZXCT1051 has been designed to operate in a linear manner over a V_{SENSE} range of 10mV to 150mV range, however it will still be monotonic down to V_{SENSE} of 0V.

The device has a fixed DC voltage gain of 10; no external scaling resistors are required for the output. Output voltage is simply defined as:

$$V_{OUT} = \text{gain} \times V_{SENSE} (V)$$

Intentionally left blank

Packaging details - SOT23-5



DIM	Millimeters		Inches	
	Min.	Max.	Min.	Max.
A	0.90	1.45	0.0354	0.0570
A1	0.00	0.15	0.00	0.0059
A2	0.90	1.30	0.0354	0.0511
b	0.20	0.50	0.0078	0.0196
C	0.09	0.26	0.0035	0.0102
D	2.70	3.10	0.1062	0.1220
E	2.20	3.20	0.0866	0.1181
E1	1.30	1.80	0.0511	0.0708
e	0.95 REF		0.0374 REF	
e1	1.90 REF		0.0748 REF	
L	0.10	0.60	0.0039	0.0236
a°	0°	30°	0°	30°

Note: Controlling dimensions are in millimeters. Approximate dimensions are provided in inches

Europe	Americas	Asia Pacific	Corporate Headquarters
Zetex GmbH Streitfeldstraße 19 D-81673 München Germany	Zetex Inc 700 Veterans Memorial Highway Hauppauge, NY 11788 USA	Zetex (Asia Ltd) 3701-04 Metroplaza Tower 1 Hing Fong Road, Kwai Fong Hong Kong	Zetex Semiconductors plc Zetex Technology Park, Chadderton Oldham, OL9 9LL United Kingdom
Telefon: (49) 89 45 49 49 0 Fax: (49) 89 45 49 49 49 europe.sales@zetex.com	Telephone: (1) 631 360 2222 Fax: (1) 631 360 8222 usa.sales@zetex.com	Telephone: (852) 26100 611 Fax: (852) 24250 494 asia.sales@zetex.com	Telephone: (44) 161 622 4444 Fax: (44) 161 622 4446 hq@zetex.com

For international sales offices, agents and distributors please go to www.zetex.com/salesnetwork

This publication is issued to provide outline information only which (unless agreed by the company in writing) may not be used, applied or reproduced for any purpose or form part of any order or contact or be regarded as a representation relating to the products or services concerned. The company reserves the right to alter without notice the specification, design, price or conditions of supply of any product or service.